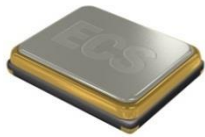


The sub miniature ECS-2520Q is a miniature AEC-Q200 Qualified SMD HCMOS Oscillator. The 2.5 x 2.0 x 0.9 mm ceramic package is ideal for Automotive, Industrial and IOT applications.

ECS-2520Q AEC-Q200 SMD OSCILLATOR

ECX-2520Q SMD HCMOS XO



- Low Profile
- 2.5 x 2.0 mm Footprint
- Extended Temp Range
- RoHS Compliant
- AEC-Q200 Qualified

OPERATING CONDITIONS / ELECTRICAL CHARACTERISTICS

PARAMETERS	CONDITIONS	ECS-2520Q			UNITS
		MIN	TYP	MAX	
Frequency Range		0.750		60.000	MHz
* Frequency Stability	-40 ~ +125°C (BS Opt)			±50	ppm
	-40 ~ +105°C (DP Opt)			±30	ppm
Power Supply	V _{dd} ±5%	+1.8, +2.5, +3.0, +3.3			V DC
Output	HCMOS		15		pF
Output voltage Level	V _{OL} :10%V _{dd} max./V _{OH} :90%V _{dd} min.V DC				
Rise & Fall time	10%V _{dd} – 90%V _{dd}			10	ns
Duty Cycle	@ ½ V _{dd}			45/55	%
Operating Temp*		-40		+125	°C
Storage Temp		-55		+125	°C

* Frequency Stability includes initial tolerance, temperature, supply voltage & load change reflow frequency shift, and aging.

CURRENT CONSUMPTION

mA Max

FREQ.	~ 19 MHz	~ 39.9 MHz	~ 50 MHz	~ 60 MHz
+1.8V	2.5	3.0	3.5	4.0
+2.5V	4.5	5.5	6.5	7.0
+3.0V	5.5	6.5	7.5	8.0
+3.3V	6.0	7.0	8.0	8.5

DIMENSIONS (mm)

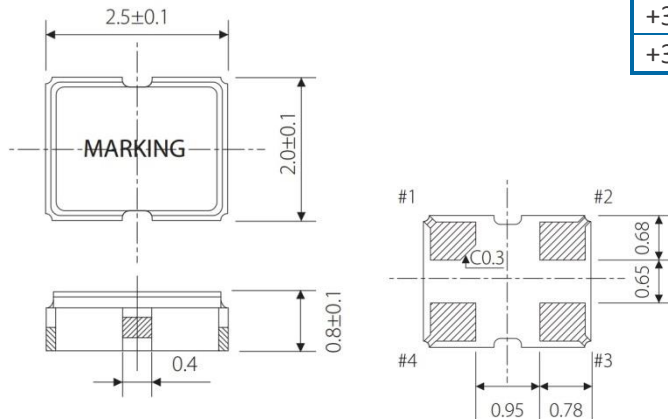


Figure 1) Top, Side, and Bottom views

PAD CONNECTIONS

1	Tri-state
2	Gnd
3	Output
4	V _{dd}

Tri State Function

Pin 1	Output
High or NC	Active
Low	High Impedance

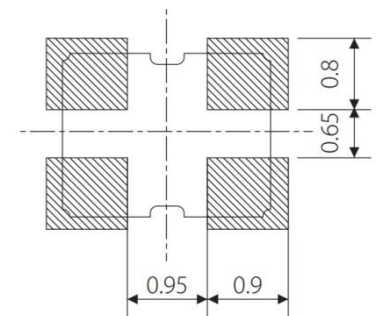


Figure 2) Suggested Land Pattern

PART NUMBERING GUIDE: Example ECS-2520Q-33-270-BS-TR

ECS - SERIES	Voltage	FREQUENCY ABBREVIATION	STABILITY	* TEMP RANGE	PACKAGING
2520Q 2.5 x 2.0 mm AEC-Q200 Oscillator	18 = +1.8V 25 = +2.5V 30 = +3.0V 33 = +3.3V	270 = 27.000 MHz See Developed Frequencies Pg.2	A = ±100 ppm B = ±50 ppm D = ±30 ppm	P = -40 ~ +105°C S = -40 ~ +125°C	TR = Tape & Reel 1K/Reel

DEVELOPED FREQUENCIES

FREQUENCY MHz	CODE
26.000	260
27.000	270
33.000	330
48.000	480

SOLDER PROFILE
Peak solder Temp +260°C Max 10 sec Max.
2 Cycles Max.
MSL 1, Lead Finish Au

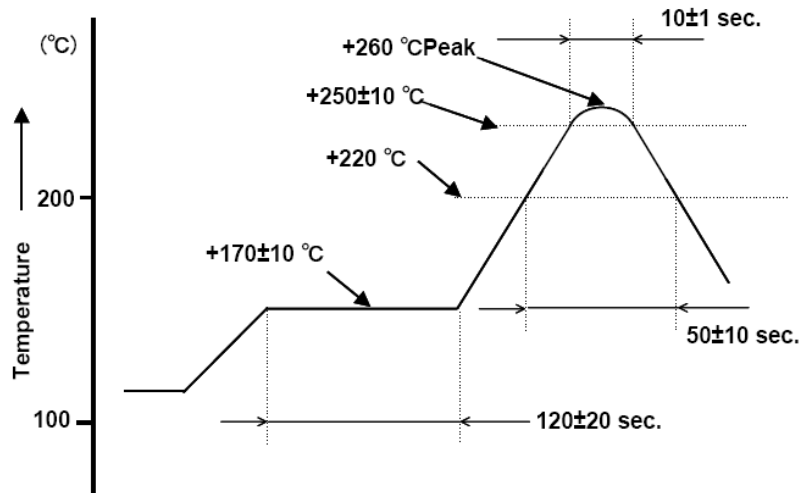
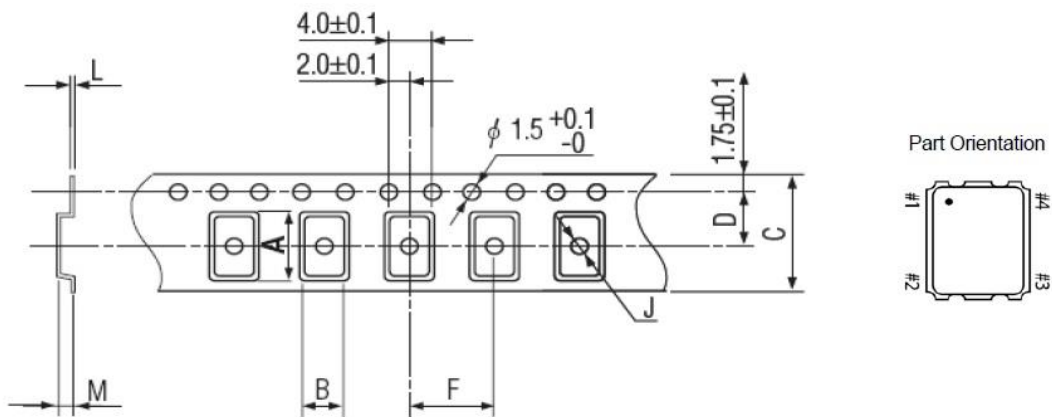


Figure 1) Suggested Reflow Profile

POCKET TAPE DIMENSIONS (mm)



A	B	C	D	F	J	L	M	Reel Dia.	Qty/Reel
2.8	2.3	8.0	3.5	4.0	1.0	0.25	1.1	180	1000pcs

X-ON Electronics

Largest Supplier of Electrical and Electronic Components

Click to view similar products for [Standard Clock Oscillators](#) category:

Click to view products by [ECS Inc](#) manufacturer:

Other Similar products are found below :

[601252](#) [F335-12](#) [F335-25](#) [F535L-33.333](#) [F535L-50](#) [ASV-20.000MHZ-LR-T](#) [ECS-2018-160-BN-TR](#) [EL13C7-H2F-125.00M](#) [MXO45HS-2C-66.6666MHZ](#) [SiT8209AI-32-33E-125.000000](#) [SM4420TEV-40.0M-T1K](#) [F335-24](#) [F335-40](#) [F535L-10](#) [F535L-12](#) [F535L-16](#) [F535L-24](#) [F535L-27](#) [F535L-48](#) [PE7744DW-100.0M](#) [CSX-750FCC14745600T](#) [ASF1-3.686MHZ-N-K-S](#) [XO57CTECNA3M6864](#) [ECS-2100A-147.4](#) [601251](#) [EP16E7E2H26.000MTR](#) [SIT8918AA-11-33S-16.000000G](#) [XO3003](#) [9120AC-2D2-33E212.500000](#) [9102AI-243N25E100.00000](#) [8208AC-82-18E-25.00000](#) [ASDK2-32.768KHZ-LR-T3](#) [8008AI-72-XXE-24.545454E](#) [8004AC-13-33E-133.33000X](#) [AS-4.9152-16-SMD-TR](#) [ASFL1-48.000MHZ-LC-T](#) [SIT8920AM-31-33E-25.0000](#) [DSC1028DI2-019.2000](#) [9121AC-2C3-25E100.00000](#) [9102AI-233N33E100.00000X](#) [9102AI-233N25E200.00000](#) [9102AI-232H25S125.00000](#) [9102AI-133N25E200.00000](#) [9102AC-283N25E200.00000](#) [9001AC-33-33E1-30.000](#) [3921AI-2CF-33NZ125.000000](#) [5730-1SF](#) [PXA000010](#) [SIT1602BC-83-33E-10.000000Y](#) [8003AI-12-33S-40.00000Y](#)