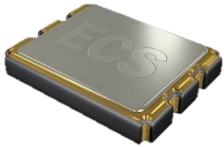


ECS-2532VXO offers a 2.8V and 3.3V version, subminiature SMD VCXO. Ideal for today's high density applications.

Request a Sample

### OPERATING CONDITIONS / ELECTRICAL CHARACTERISTICS

#### ECS-2532VXO



- Smallest VCXO in the Industry
- 3.2 x 2.5 mm Footprint
- Low current consumption
- PbFree/RoHS Compliant

Parameters	Conditions	ECS-2532VXO (+2.8V)			ECS-2532VXO (+3.3V)			Units
		MIN	TYP	MAX	MIN	TYP	MAX	
Frequency Range		2.000		54.000	2.000		54.000	MHz
Temperature Range	Operating	-10		+70	-10		+70	°C
	Storage	-40		+85	-40		+85	°C
Supply Voltage	VDD	+2.66	+2.8	+2.94	+3.135	+3.3	+3.465	VDC
Frequency Stability* V <sub>CO</sub> = ½ VDD	Option A			±50			±50	PPM
	Option B			±30			±30	PPM
Frequency vs. Input Voltage	VDD ±5%			±5			±5	PPM
Frequency Pulling Range		±90			±90			PPM
Control Voltage	V <sub>CON</sub> = Pin #1	0	+1.4	+2.8	0	+1.65	+3.3	VDC
Frequency Slope	Positive							
Frequency Linearity				15			15	%
Modulation Bandwidth	-3 dB	10			10			KHz
V <sub>CON</sub> input impedance	V <sub>CON</sub> - GND	100K			100K			Ω
Output Symmetry	@ 50% VDD Level			40/60			60/40	%
Rise and Fall Times 20% to 80% VDD Level	2.0 MHz to 10.0 MHz			10			10	ns
	10.1 MHz to 54.0 MHz			6			6	ns
"0" Level	VOL			10% V <sub>DD</sub>			10% V <sub>DD</sub>	VDC
"1" Level	VOH	90% V <sub>DD</sub>			90% V <sub>DD</sub>			VDC
Output Load	CMOS			15			15	pF
Start-Up Time				10			10	ms
Input Current	No Load			5			8	mA
SSB Phase Noise	at 1 KHz offset			-120			-120	dBc/Hz
Aging (first year)	at +25°C ±3°C			±5			±5	PPM

### Part Numbering Guide: Example ECS-2532VXO-270B-2.8

ECS - Series - Frequency Abbreviations - Stability Tolerance - Voltage

ECS

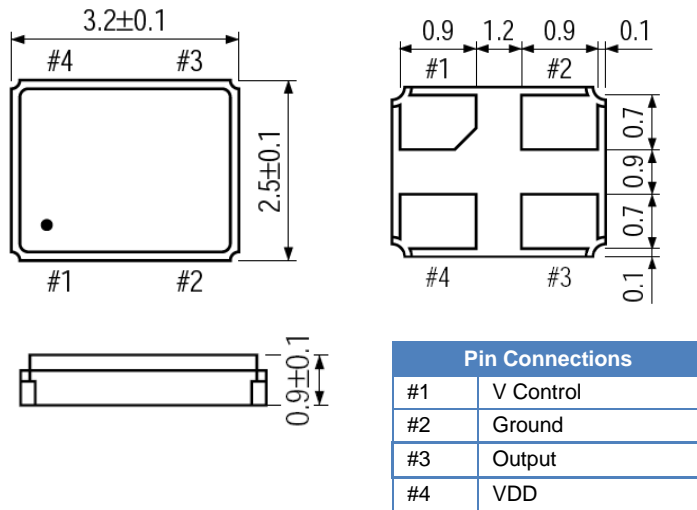
2532VXO

200 = 20 MHz  
270 = 27 MHz  
540 = 54 MHz

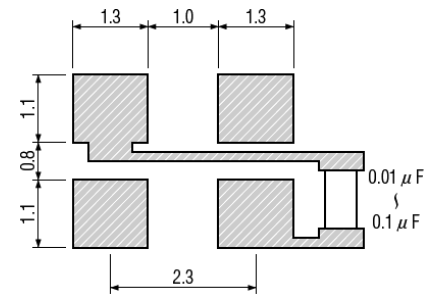
A = ±50 ppm  
B = ±30 ppm

2.8 = +2.8 VDC  
3.3 = +3.3 VDC

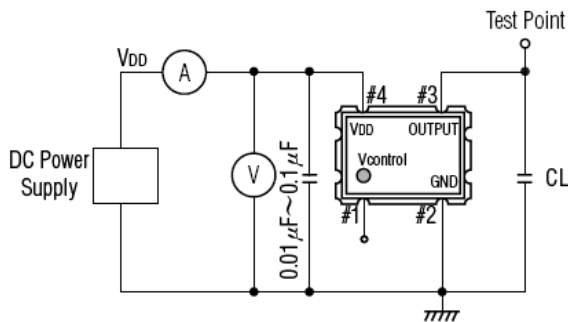
**Package Dimensions (mm)**



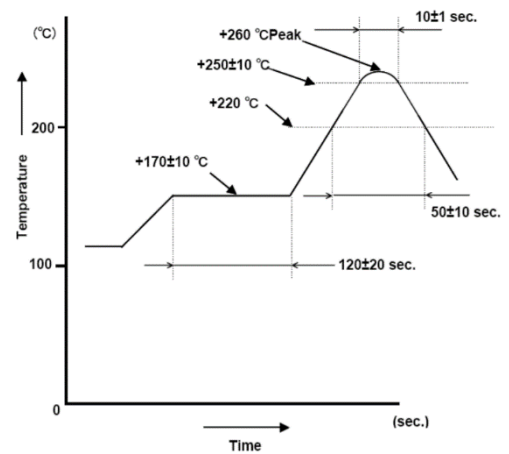
**Figure 1) Top, Side, and Bottom views**



**Figure 2) Land Pattern**

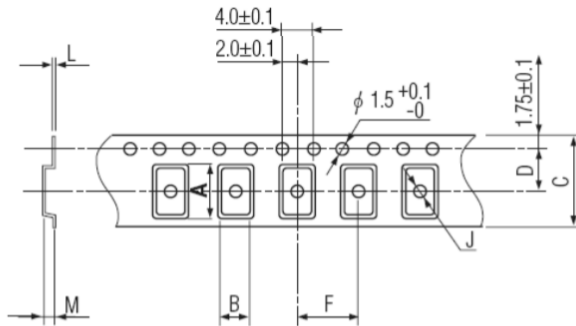


**Figure 3) Test Circuit**



**Figure 4) Suggested Reflow Profile**

**Tape Dimensions (mm)**



A	B	C	D	F	J	L	M	Reel Dia.	Qty/Reel
3.5	2.8	8.0	3.5	4.0	1.1	0.25	1.0	180	1000

**Figure 5) Pocket Tape Dimensions**

Package Data	
Item	Description
Lid	Metal
Base	Ceramic
Sealing	Seam
Terminal	Tungsten (metalized)
Plating	Gold/Nickel (Surface)/(Under)
RoHS	Compliant (PbFree)

## X-ON Electronics

Largest Supplier of Electrical and Electronic Components

*Click to view similar products for [VCXO Oscillators](#) category:*

*Click to view products by [ECS Inc](#) manufacturer:*

Other Similar products are found below :

[KD-VA9501](#) [ASG-P-V-A-491.520MHz](#) [SIT3808AI-CF-33EM-50.000000X](#) [EQVA23C1C1H-50.000M](#) [603281](#) [YNETHE125](#) [FRSONT019](#)  
[SiT3701AC-43-33C-10.00000X](#) [SiT3808AI-2F-25NM-4.915200X](#) [315LB3I1250T](#) [VG-4231CE](#) [27.0000M-PSCM3](#) [CVSS-945-125.000](#)  
[ASVV-4.096 MHz-L50-N152-T](#) [565DFA45M1500ABG](#) [565CFA45M1584ABG](#) [569DABA001908BBG](#) [569BAAA001478ABG](#)  
[565AAA1000M00BBG](#) [565CAA11M0592BBG](#) [565BAA100M000ABG](#) [CVHD-950-122.880](#) [CVHD-950-70.000](#) [CVHD-950-80.000](#) [CVHD-](#)  
[950X-100.000](#) [CVHD-950X-122.88](#) [CVHD950X-54.000](#) [CVPD-920-100.000](#) [515CAA000256AAG](#) [550AE100M000DG](#) [MK3722GLFTR](#)  
[CVHD-950X-50.000](#) [ABLJO-V-122.880MHZ-T2](#) [PL500-37TI](#) [KV7050B27.0000C3GD00](#) [VCS25AXT-270](#) [27.000MHZ](#) [357LB3I032M7680](#)  
[357LB3I040M0000](#) [KV7050B25.0000C3GD00](#) [357LB3I016M3840](#) [CVHD-950-76.800](#) [CVSS-945-50.000](#) [KV7050B40.0000C3GD00](#)  
[EV32C6A3A1-24.576M-TR](#) [LFVCXO067516Bulk](#) [ECXV-L37C2N-148.500](#) [LFVCXO067414Bulk](#) [LFVCXO067507Bulk](#) [VS-501-0074-](#)  
[1000M0](#) [LFVCXO067538Bulk](#) [515CDA5M00000AAG](#)