

The ECS-3215MV-327KE miniature 32.768 kHz low current consumption MultiVolt™ CMOS Oscillator with improved stability vs. un-compensated tuning fork Crystals/XO's. The 3.2 x 1.5 x 0.9 mm ceramic package is ideal for Smart Meter, Wearable device, Industrial, and IoT applications.

[Request a Sample](#)

OPERATING CONDITIONS / ELECTRICAL CHARACTERISTICS



- 3.2 x 1.5 mm Footprint
- Improved accuracy vs. uncompensated XO
- Low current consumption
- MultiVolt™ Compatible with 1.8V, 2.5V or 3.3V Power Supply

DIMENSIONS (mm)

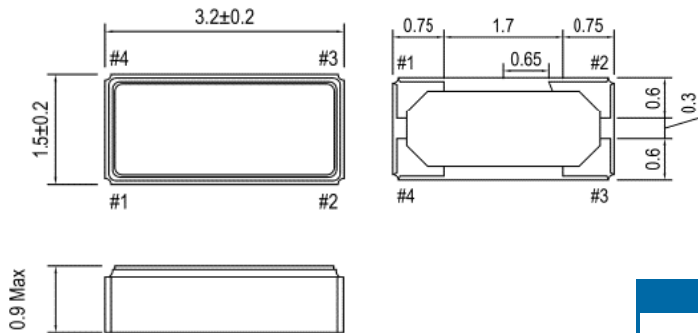


Figure 1) Top, Side, and Bottom views

PARAMETERS	CONDITIONS	ECS-3215MV-327KE			UNITS
		MIN	TYP	MAX	
Frequency			32.768		kHz
Frequency Tolerance	+25°C			±5	ppm
* Frequency Stability	-40 ~ +85°C (BN Opt.)			±50	ppm
Supply Voltage		1.62		3.63	V
Frequency voltage coefficient				±1	ppm/V
Output Load	CMOS			30	pF
Output voltage Level	VOL: 10% Vdd max. / VOH: 90% Vdd min. V DC				
Current Consumption			1.3	2.5	µA
Standby Current	+1.8V -40 ~ +85°C			2.0	µA
Rise & Fall time	10% Vdd – 90% Vdd			40	ns
Start Up Time	+25°C, 3.3V			0.5	sec
Duty Cycle	@ ½ Vdd			40/60	%
Aging (1 st year)	+25°C, 3.3V			±3	ppm
Operating Temp*		-40		+85	°C
Storage Temp		-40		+105	°C

PAD CONNECTIONS	
1	Tri-state or NC
2	Gnd
3	Output
4	Vdd

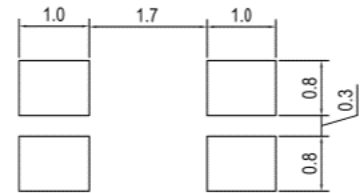


Figure 2) Suggested Land Pattern

Tri State Function	
Pin 1	Output
0.8 * Vdd Min or NC	Active
0.2 * Vdd Max.	High Impedance

PART NUMBERING GUIDE: Example ECS-3215MV-327KE-BN-TR

ECS	-	SERIES	-	* STABILITY	-	TEMP RANGE	-	PACKAGING
-----	---	--------	---	-------------	---	------------	---	-----------

ECS

3215MV-327KE
3.2 x 1.5 mm
32.768 KHz
Low current
MultiVolt™ Oscillator

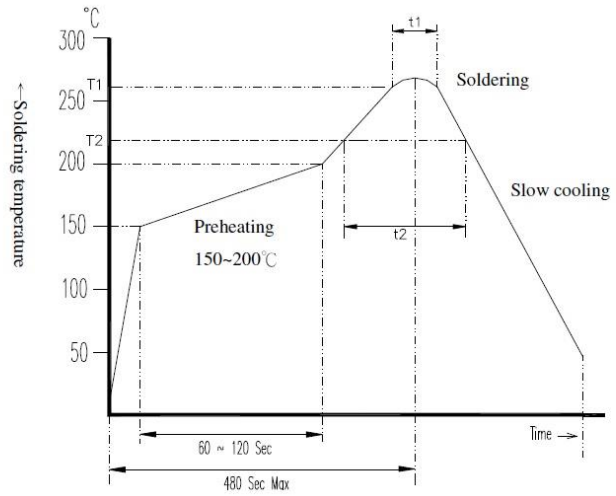
B=±50 ppm

M= -20 ~ +70°C
N= -40 ~ +85°C

TR = Tape & Reel
3K/Reel

* Frequency Stability includes initial tolerance, temperature, supply voltage and load change and reflow frequency shift.

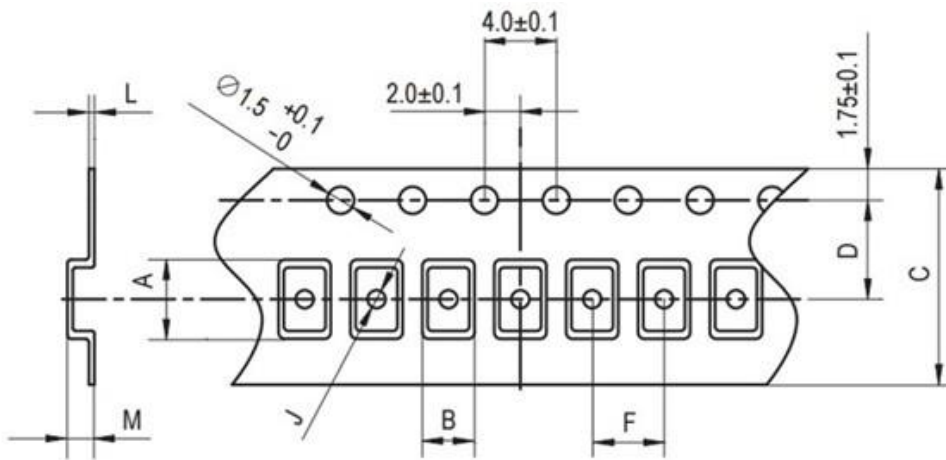
SOLDER PROFILE	
Peak solder Temp	+260°C ±5°C 10 ±5 Sec Max.
	2 Cycles Max.
	MSL 1, Lead Finish Au



Application / Temperature Time	T1 / t1	T2 / t2
Lead Free	260 ± 5°C / 10 ± 5 See Max.	217°C Min / 60 ~ 150 Sec
Non-Lead Free	260 ± 5°C / 10 ± 5 See Max.	183°C Min / 60 ~ 150 Sec

Figure 3) Suggested Reflow Profile

POCKET TAPE DIMENSIONS (mm)



A	B	C	D	F	J	L	M
3.4	1.7	12.0	5.5	4.0	1.0	0.3	1.2

X-ON Electronics

Largest Supplier of Electrical and Electronic Components

Click to view similar products for [Standard Clock Oscillators](#) category:

Click to view products by [ECS Inc](#) manufacturer:

Other Similar products are found below :

[601252](#) [F335-25](#) [F535L-33.333](#) [F535L-50](#) [NBXHBA019LN1TAG](#) [SiT1602BI-22-33E-50.000000E](#) [SIT8918AA-11-33S-50.000000G](#)
[SM4420TEV-40.0M-T1K](#) [F335-24](#) [F335-40](#) [F535L-10](#) [F535L-12](#) [F535L-24](#) [F535L-27](#) [PE7744DW-100.0M](#) [ASF1-3.686MHZ-N-K-S](#) [ASV-](#)
[4.000MHZ-LCS-T](#) [XLH735025.000JU4I8](#) [XLP725125.000JU6I8](#) [XO57CTECNA3M6864](#) [601251](#) [SiT8503AI-18-33E-0.200000X](#)
[SIT8918AA-11-33S-16.000000G](#) [SIT9122AI2C233E300.000000X](#) [9120AC-2D2-33E212.500000](#) [9102AI-243N25E100.000000](#) [8208AC-82-](#)
[18E-25.000000](#) [8008AI-72-XXE-24.545454E](#) [8004AC-13-33E-133.330000X](#) [AS-4.9152-16-SMD-TR](#) [ASFL1-48.000MHZ-LC-T](#)
[632L3I004M000000](#) [SIT8920AM-31-33E-25.0000](#) [DSC1028DI2-019.2000](#) [9121AC-2C3-25E100.000000](#) [9102AI-233N33E100.000000X](#)
[9102AI-233N25E200.000000](#) [9102AI-232H25S125.000000](#) [9102AI-133N25E200.000000](#) [9102AC-283N25E200.000000](#) [9001AC-33-33E1-30.000](#)
[8103AC-13-33E-12.000000X](#) [3921AI-2CF-33NZ125.000000](#) [5730-1SF](#) [XUN736000.032768I](#) [ASV-25.000MHZ-ECS-50-T](#) [EC3925ETTTS-](#)
[100.000M TR](#) [SIT1602BC-83-33E-10.000000Y](#) [8003AI-12-33S-40.000000Y](#) [1602BI-13-33S-19.200000E](#)