

The ECS-75SMF Miniature SMD Monolithic Crystal Filter offers a narrow bandwidth and a 4 pole response in a 5 x 7 package.

Request a Sample

### ECS-75SMF Series



- 5 x 7 Footprint
- 4 Pole Filter
- Tape and Reel Packaging

## OPERATING CONDITIONS / ELECTRICAL CHARACTERISTICS

Part Number *	Center Frequency $F_o$	Passband Min.		Stopband Max.		Attenuation Guaranteed Min.		Ripple Max.	Loss Max.	Terminating Impedance	Operating Temperature	No. of Poles
	MHz	dB	KHz	dB	KHz	dB	KHz	dB	dB	$\Omega$ /pF	$^{\circ}\text{C}$	
ECS-75SMF45A7.5B	45.000	3	$\pm 3.75$	30	$\pm 12.5$	80	-910	1.0	4.0	350//6.5	-30 ~ +80	4
ECS-75SMF45A20B	45.000	3	$\pm 10.0$	25	$\pm 25.0$	80	-910	1.0	3.0	500//2.5	-30 ~ +80	4
ECS-75SMF45A30B	45.000	3	$\pm 15.0$	30	$\pm 50.0$	80	-910	1.0	3.0	1000//1.0	-30 ~ +80	4
ECS-75SMF70.05A20B	70.050 *	3	$\pm 10.0$	20	$\pm 25.0$	70	-910	1.0	4.0	2500//1.0	-30 ~ +80	4

\* Indicates 3<sup>rd</sup> Overtone

## Package Dimensions (mm)

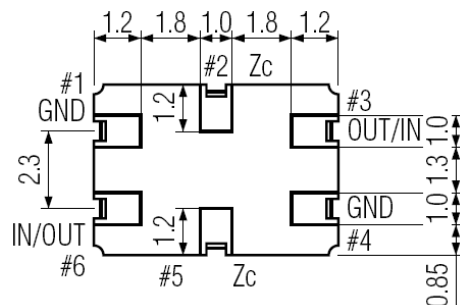
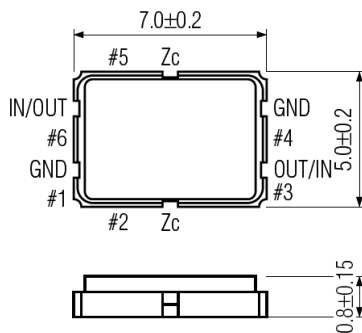


Figure 1) Top, Side and Bottom views

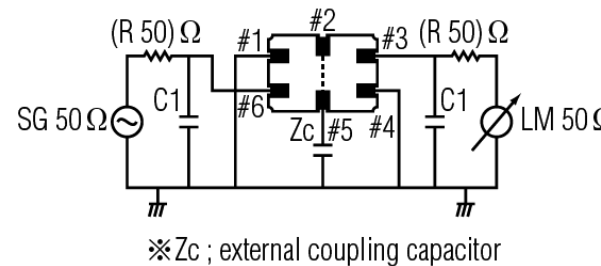


Figure 2) Test Circuit

Pin Connections	
#1	Ground
#2	Zc
#3	Out/In
#4	Ground
#5	Zc
#6	In/Out

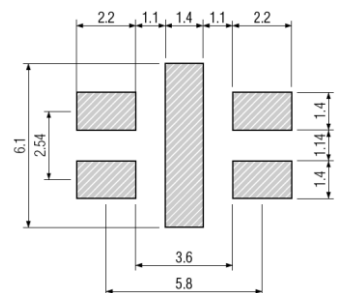


Figure 3) Land Pattern

## X-ON Electronics

Largest Supplier of Electrical and Electronic Components

*Click to view similar products for [Signal Conditioning](#) category:*

*Click to view products by [ECS Inc](#) manufacturer:*

Other Similar products are found below :

[MAPDCC0004](#) [PD0409J5050S2HF](#) [880157](#) [HHS-109-PIN](#) [DC1417J5005AHF](#) [DC4859J5005AHF](#) [AFS14A30-2185.00-T3](#) [AFS14A35-1591.50-T3](#) [DS-323-PIN](#) [DSS-313-PIN](#) [B39321R801H210](#) [B39321R821H210](#) [B39921B4317P810](#) [1A0220-3](#) [2089-6207-00](#) [JP510S](#) [LFB212G45SG8C341](#) [LFB322G45SN1A504](#) [LFL182G45TC3B746](#) [SF2159E](#) [30057](#) [1P510S](#) [CER0813B](#) [3A325](#) [40287](#) [41180](#) [ATB3225-75032NCT](#) [B69842N5807A150](#) [BD0810N50100AHF](#) [BD2326L50200AHF](#) [BD2425J50200AHF](#) [HMC189AMS8TR](#) [C5060J5003AHF](#) [JHS-114-PIN](#) [JP503AS](#) [DC0710J5005AHF](#) [DC2327J5005AHF](#) [DC3338J5005AHF](#) [43020](#) [LFB2H2G60BB1C106](#) [LFL15869MTC1B787](#) [X3C19F1-20S](#) [XC3500P-20S](#) [10013-20](#) [SF2081E](#) [SF2194E](#) [SF2238E](#) [CDBLB455KCAX39-B0](#) [RF1353C](#) [PD0922J5050D2HF](#)