

The CSM-7XDU is the widest temperature range version of our standard CSM-7X crystal.

CSM-7XDU SMD CRYSTAL

Request a Sample

CSM-7XDU SMD CRYSTAL



- -55 ~ +125°C Temp Range
- Low Profile
- Industry Standard Footprint
- Pb Free/RoHS Compliant

DIMENSIONS (mm)

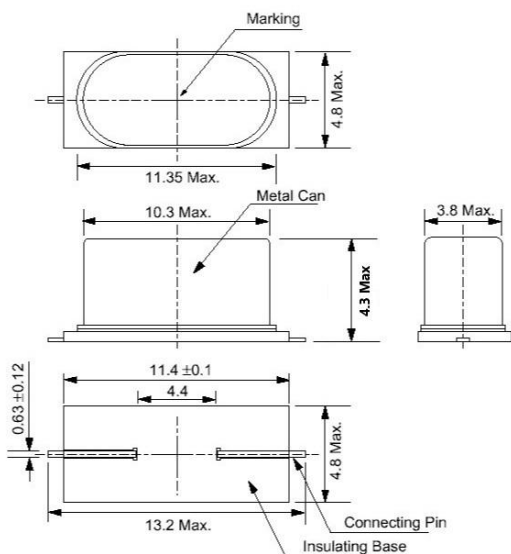


Figure 1) Top, Side, Bottom, and End

Crystal is symmetrical, pin 1 & 2 are interchangeable.

OPERATING CONDITIONS / ELECTRICAL CHARACTERISTICS

| PARAMETERS | CONDITIONS | CSM-7XDU | | | UNITS |
|-----------------------|----------------|----------|-----|--------|-------|
| | | MIN | TYP | MAX | |
| Frequency | | 3.57 | | 70.000 | MHz |
| Frequency Tolerance | @ +25°C | | | ± 30 | ppm |
| Frequency Stability | -55 ~ +125°C | | | ± 100 | ppm |
| Shunt Capacitance | Co | | | 7 | pF |
| Load Capacitance | Specify in P/N | 10 | 20 | Series | pF |
| Drive Level | DL | | | 500 | μW |
| Operating Temperature | Topr | -55 | | +125 | °C |
| Storage Temperature | Tstg | -55 | | +125 | °C |
| Aging (First Year) | @ +25°C ±3°C | | | ±5 | ppm |

EQUIVALENT SERIES RESISTANCE/MODE OF OSCILLATION

| Frequency (MHz) | ESR Ω Max. | Mode of Osc. |
|-----------------|------------|--------------------------|
| 3.57 ~ 4.999 | 150 | Fundamental |
| 5.000 ~ 5.999 | 80 | Fundamental |
| 6.000 ~ 6.999 | 70 | Fundamental |
| 7.000 ~ 8.999 | 60 | Fundamental |
| 9.000 ~ 12.999 | 50 | Fundamental |
| 13.000 ~ 19.999 | 40 | Fundamental |
| 20.000 ~ 40.000 | 30 | Fundamental |
| 40.000 ~ 70.000 | 80 | 3 rd Overtone |

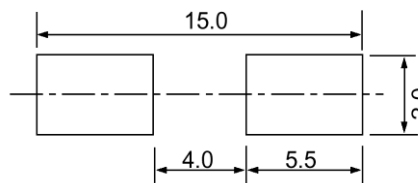
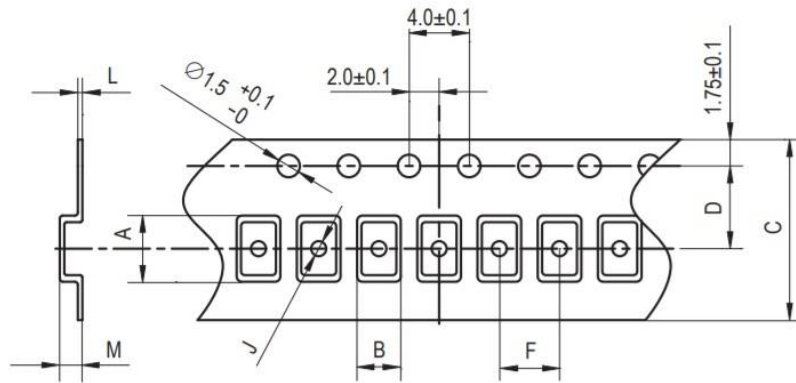


Figure 2) Suggested land

PART NUMBERING GUIDE: Example ECS-200-20-5PXDU-TR

| ECS - | FREQUENCY ABBREVIATION | LOAD CAPACITANCE | PACKAGE | Stability | Temperature | PACKAGING |
|-------|-----------------------------------|--|--------------|--------------|------------------|-----------------------------------|
| ECS | 200 = 20.000 MHz See P/N Guide | 20 = 20 pF 10 = 10 pF S = Series | 5PX = 4.3 mm | D = ±100 ppm | U = -55 ~ +125°C | TR = Tape & Reel 1K/Reel |

POCKET TAPE DIMENSIONS (mm)



| A | B | C | D | F | J | L | M | Reel Dia. | Qty/Reel |
|------|-----|------|------|------|-----|-----|-----|-----------|----------|
| 15.4 | 5.3 | 24.0 | 11.5 | 12.0 | 1.7 | 0.4 | 4.4 | 300 | 1000pcs |

SOLDER PROFILE

Peak solder Temp +260°C Max 10 sec Max.

2 Cycles Max.

MSL 1, Lead Finish Sn/Cu Matte

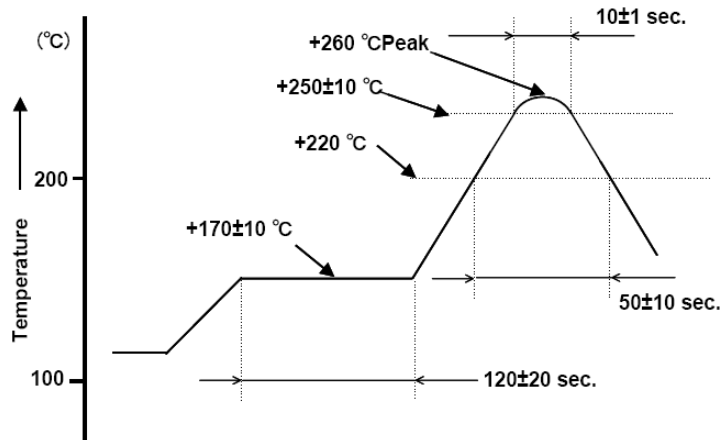


Figure 1) Suggested Reflow Profile

X-ON Electronics

Largest Supplier of Electrical and Electronic Components

Click to view similar products for [Crystals category](#):

Click to view products by [ECS Inc manufacturer](#):

Other Similar products are found below :

[MC405 32.0000K-R3:PURE SN](#) [7B-27.000MBBK-T](#) [MP1-8.0 99-BU](#) [9B-15.360MBBK-B](#) [PTX-A2JM-10.000M](#) [9C-7.680MBBK-T](#) [H10S-12.000-18-EXT-TR](#) [ABLS-18.432MHZ-20-D-4-T](#) [R38-32.768-12.5-5PPM-NPB](#) [BTD1062E05A-513](#) [21U15A-21.4MHZ](#) [RTX-781DF1-S-20.950](#) [LFXTAL066198Cutt](#) [9C-14.31818MBBK-T](#) [A-11.000MHZ-27](#) [ABM3B1-25.000MHZ-D2Y-T](#) [SPT2A-.032768B](#) [SPT2A.032768G](#) [SSPT7F-9PF20-R](#) [FX325BS-38.88EEM1201](#) [MP-1-25.000MHZ-3L](#) [MP-1-6.000MHZ](#) [LFXTAL065253Cutt](#) [LFXTAL066431Cutt](#) [XT9S20ANA14M7456](#) [XT9SNLANA16M](#) [646G-24-2](#) [7B-30.000MBBK-T](#) [9B-14.31818MBBK-B](#) [6504-202-1501](#) [6526-202-1501](#) [FA-118T](#) [27.1200MB50P-K0](#) [ABLS-12.000MHZ-B2Y-T](#) [BTJ120E02C](#) [SG636PCE-20.000MC](#) [3404](#) [CX3225SB48000Z0DZNC1](#) [CM315D32768EZFT](#) [C1E-24.000-7-2020-R](#) [C1E-19.200-12-1530-X-R](#) [C1E-16.000-12-1530-X-R](#) [FL5000014](#) [EUCA18-3.1872M](#) [425F35E027M0000](#) [FP0800018](#) [17196](#) [MS3V-T1R-32.768kHz-7pF-20PPM-TA-QC-Au](#) [VXM7-1C1-16M000](#) [MS1V-T1K-32.768kHz-10pF-20PPM-TA-QC-Au](#)