

ECS-DSF947.5B-21

SMD SAW Filter

Request a Sample

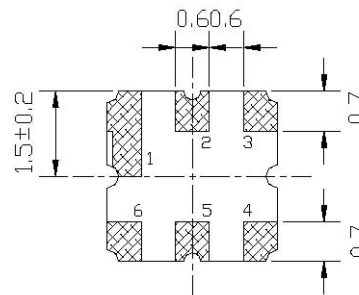
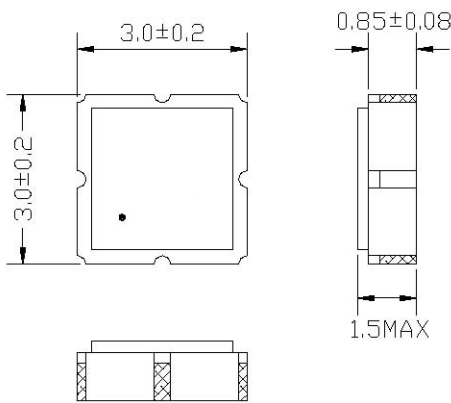
OPERATING CONDITIONS / ELECTRICAL CHARACTERISTICS



- RF Filter for Cellular Applications
- 3.0 x 3.0 mm Footprint
- Extended Temperature Ranges
- RoHS Compliant

Parameters	Frequency (MHz)	ECS-DSF947.5B-21			Units
		MIN	TYP	MAX	
Center Frequency	FO		947.5		MHz
Insertion Loss	935.0 ~ 960.0			3.3	dB
Passband		25.0			MHz
Passband Ripple	935.0 ~ 960.0			1.4	dB
Stop Band Attenuation	DC ~ 871.0	50.0			dB
	890.0 ~ 915.0	30.0			dB
	980.0 ~ 1025.0	25.0			dB
	1025.0 ~ 1705.0	45.0			dB
	1705.0 ~ 3000.0	25.0			dB
Passband VSWR	935.0 ~ 960.0			2:1	
Operating Temperature	T _{OPR}	-30		+80	°C
Storage Temperature	T _{STG}	-40		+85	°C

Package Dimensions (mm)



Pin Connections	
#1	Ground
#2	Input
#3	Ground
#4	Ground
#5	Output
#6	Ground

Figure 1) Top and Side views

ECS Part Number: ECS-DSF-947.5B-21-TR
TR = Tape & Reel Packaging 1K/Reel

X-ON Electronics

Largest Supplier of Electrical and Electronic Components

Click to view similar products for [Signal Conditioning category](#):

Click to view products by [ECS Inc manufacturer](#):

Other Similar products are found below :

[MAPDCC0001](#) [MAPDCC0004](#) [PD0409J5050S2HF](#) [880157](#) [HHS-109-PIN](#) [DC1417J5005AHF](#) [AFS14A30-2185.00-T3](#) [AFS14A35-1591.50-T3](#) [DS-323-PIN](#) [B39321R801H210](#) [1A0220-3](#) [JP510S](#) [LFB212G45SG8C341](#) [LFB322G45SN1A504](#) [LFL182G45TC3B746](#) [SF2159E](#) [30057](#)
[FM-104-PIN](#) [CER0813B](#) [MAPDCC0005](#) [3A325](#) [40287](#) [41180](#) [ATB3225-75032NCT](#) [BD0810N50100AHF](#) [BD2425J50200AHF](#)
[C5060J5003AHF](#) [JHS-115-PIN](#) [JP503AS](#) [DC0710J5005AHF](#) [DC2327J5005AHF](#) [DC3338J5005AHF](#) [43020](#) [LFB2H2G60BB1C106](#)
[LFL15869MTC1B787](#) [X3C19F1-20S](#) [XC3500P-20S](#) [10013-20](#) [SF2194E](#) [CDBLB455KCAX39-B0](#) [TGL2208-SM, EVAL](#) [RF1353C](#)
[PD0922J5050D2HF](#) [1E1305-3](#) [1G1304-30](#) [B0922J7575AHF](#) [2020-6622-20](#) [TP-102-PIN](#) [TP-103-PIN](#) [BD1222J50200AHF](#)