

ECS-P8F3X (3.3V) and ECS-P8F5X (5V) J-Lead SMD PLL based programmable crystal oscillators.

[Request a Sample](#)

Obsolete/End of Life Date 10/09/2020

OPERATING CONDITIONS / ELECTRICAL CHARACTERISTICS

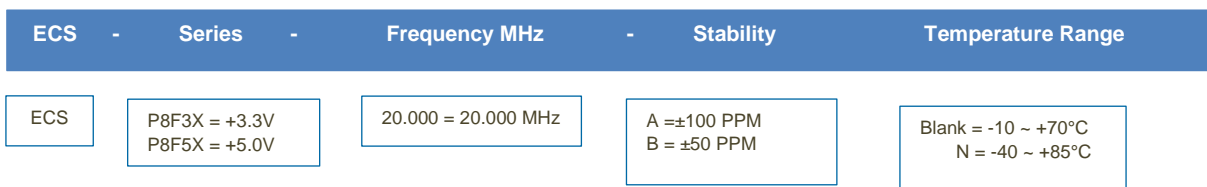


- Low Voltage HCMOS
- PLL Technology
- Industry Standard Footprint
- RoHS Compliant

Parameters	Conditions	ECS-P8F3X (+3.3V)			ECS-P8F5X (+5V)			Units
		MIN	TYP	MAX	MIN	TYP	MAX	
Frequency Range		1.000		125.000	1.000		150.000	MHz
Operating Temperature	Standard	-10		+70	-10		+70	°C
	Extended (N Option)	-40		+85	-40		+85	°C
Storage Temperature		-55		+125	-55		+125	°C
Supply Voltage		+2.97	+3.3	+3.63	+4.5	+5.0	+5.5	VDC
Frequency Stability*	Option A			±100			±100	PPM
	Option B			±50			±50	PPM
Input Current				28			45	mA
Output Disable Current	Pin 1 = VIL			16			30	mA
Output Symmetry	@ 50% VCC Level			40/60			40/60	%
Rise and Fall Times	20% VCC to 80% VCC Level			4			4	ns
Jitter	1.0 ~ 33.0 MHz		±100	±250		±100	±250	pS p-p
	> 33.1 MHz		±50	±100		±50	±100	pS p-p
"0" Level	VOL			0.4			0.4	VDC
"1" Level	VOH	2.7			VCC-0.5			VDC
Output Load (HCMOS)	1.0 ~ 50.0 MHz			30			50	pF
	> 50.1 MHz			15			15	pF
Enable/Disable Time				150			100	ns
Start-up Time				10			10	ms
Aging	@ +25°C ±3°C, First Year			±5			±5	PPM

* Inclusive of 25°C tolerance, operating temperature range, input voltage change, load change, aging, shock, and vibration.

Part Numbering Guide: Example ECS-P8F3X-20.000-AN



Package Dimensions (mm)

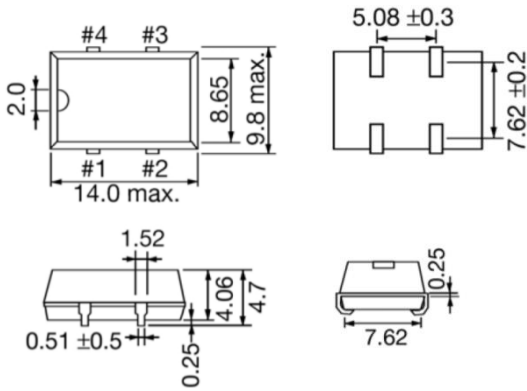


Figure 1) Top, Side, and Bottom views

Pin Connections	
#1	Tri-State
#2	Ground
#3	Output
#4	VCC

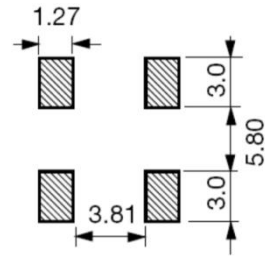


Figure 2) Land Pattern

ECS-P8F3X (3.3V) Tri-State Control Voltage	
Pad 1	Pad 3
Open	Oscillation
2.0V Min	Oscillation
0.7V Max	No Oscillation

ECS-P8F5X (5V) Tri-State Control Voltage	
Pad 1	Pad 3
Open	Oscillation
2.0V Min	Oscillation
0.8V Max	No Oscillation

X-ON Electronics

Largest Supplier of Electrical and Electronic Components

Click to view similar products for [Programmable Oscillators](#) category:

Click to view products by [ECS Inc](#) manufacturer:

Other Similar products are found below :

[8N4Q001LG-0102CDI](#) [8N4Q001LG-0139CDI](#) [8N0Q001BH-2202CDI](#) [8N4Q001LG-0055CDI](#) [DSC8121CI1](#) [DSC8124CI5](#) [DSC8102DI2](#)
[DSC8124CI2](#) [DSC8121CL5](#) [ECS-P143-10-AN](#) [SG-8002CA 2.4576M-PCBB](#) [ECS-3525-250-B-TR](#) [DSC6013JI1A-000.0000](#) [DSC6013HI1A-002.5000T](#) [DSC6011JE2A-000.0000](#) [DSC6011HI1A-002.5000T](#) [DSC6003CI1A-000.0000](#) [DSC6083HE1A-032K800T](#) [DSC6001CI1A-011.0592](#) [8008AI-71-18E-98.280000G](#) [SIT8008BI-22-33E-8.000000G](#) [DSC8002CI2](#) [AD2S99APZ](#) [AD2S99BPZ](#) [LTC6903HMS8#PBF](#)
[LTC6903IMS8#PBF](#) [LTC6991CDCB#TRMPBF](#) [SG-8018CB 98.304MTJHPA](#) [DS1086LU+C66](#) [DS1090U-2/V+T](#) [DSC2211FL2-E0016](#)
[DSC6083CI1A-010K000](#) [DSC6011CI2A-018.0000](#) [DSC6001CI1A-016.9344T](#) [DSC6001CI1A-016.3690T](#) [DSC6001CE2A-025.0000](#)
[DSC6001CI1A-016.3690](#) [DSC6051CE2A-003.0720](#) [DSC6083CI1A-350K000](#) [DSC6053CE2A-003.0720](#) [DSC6083CI1A-350K000T](#)
[DSC6011CI2A-007.3728T](#) [DSC6011CI1A-013.5600](#) [DSC6083CI1A-425K000](#) [DSC6053CE2A-003.0720T](#) [DSC6051CE2A-003.0720T](#)
[DSC6083CI1A-425K000T](#) [DSC6083CI1A-010K000T](#) [DSC6001CI1A-003.6864](#) [DSC6001CI1A-011.2896T](#)