

ECS-TXO-3225MV HCMOS SMD TCXO MultiVolt™ capability of 1.7 ~ 3.6V. The 3.2 x 2.5 x 1.2 mm ceramic package is ideal for portable, wireless applications where stability is critical.

Request a Sample

### OPERATING CONDITIONS / ELECTRICAL CHARACTERISTICS



- HCMOS TCXO
- 3.2 x 2.5 mm Footprint
- MultiVolt™ (1.7 ~ 3.6V)
- PbFree/RoHS Compliant
- MSL 1
- Lead Finish Au
- Compatible with 1.8V, 2.5V or 3.3V Power Supply

Parameters	Conditions	ECS-TXO-3225MV			Units
		MIN	TYP	MAX	
Frequency Range		8.000		60.000	MHz
Operating Temperature	* Standard	-30		+85	°C
Storage Temperature		-40		+90	°C
Input Voltage	VDD	+1.7		+3.6	VDC
Frequency Stability	Vs. Temp (-30 ~ +85°C)			±2.5	PPM
	Vs. Supply Change (±5%)			±0.3	PPM
	Vs. Load Change (±5%)			±0.3	PPM
	Vs. Aging/Year			±1.0	PPM
Frequency Tolerance	@ +25°C ±2°C			±1.5	PPM
Current Consumption				6.0	mA
"0" Level	VOL			10% Vdd	VDC
"1" Level	VOH	90% Vdd			VDC
Output Symmetry	@50% VDD Level			45/55	%
Rise and Fall Times	10% VDD to 90% Level			5	ns
Output Load	CMOS			15	pF
Start-up Time				10	mS
Phase Noise	@ 10 KHz Offset		-145		dBc/Hz

### Part Numbering Guide: Example ECS-TXO-3225MV-250-TR

ECS	Series	Frequency Abbreviations	Stability Tolerance	Temperature	Packaging
ECS	TXO-3225MV = TCXO	250 = 25.000 MHz	<u>Standard</u> Blank = ±2.5 ppm	<u>Standard</u> Blank = -30 ~ +85°C  <u>Custom Options</u> * N = -40 ~ +85°C	TR = Tape & Reel 1K/reel

**Package Dimensions (mm)**

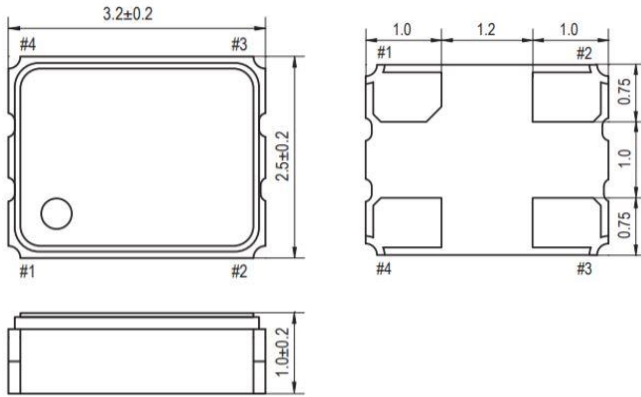


Figure 1) Top, Side, and Bottom views

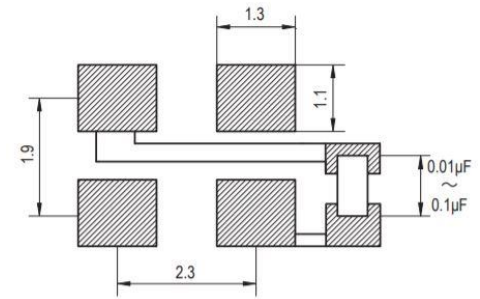
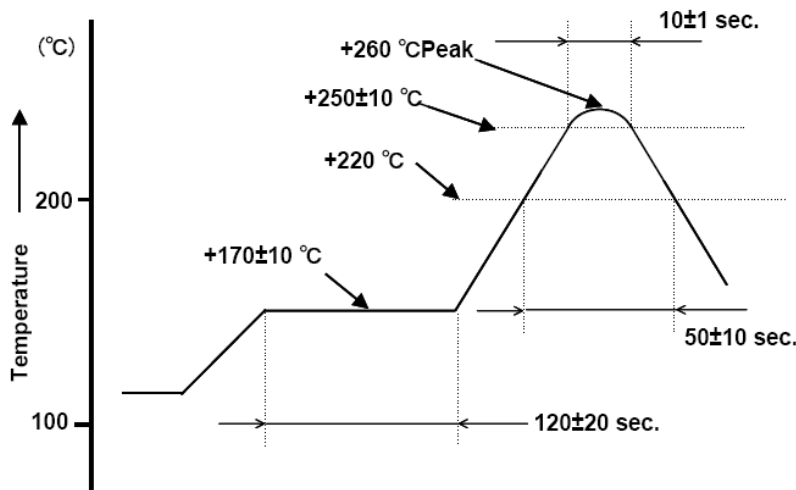


Figure 2) Land Pattern

Pin Connections	
#1	Tri-State
#2	Ground
#3	Output
#4	VDD

Tri-State Function	
Pin 1	Output
High or NC	Active
Low	Disable High-Z

Developed Frequencies	
* Abbreviation	Frequency (MHz)
100	10.000
120	12.000
122.8	12.288
147.4	14.7456
160	16.000
200	20.000
250	25.000
270	27.000
500	50.000



## X-ON Electronics

Largest Supplier of Electrical and Electronic Components

*Click to view similar products for [TCXO Oscillators](#) category:*

*Click to view products by [ECS Inc](#) manufacturer:*

Other Similar products are found below :

[SiT5000AI-3D-33E0-10.000000X](#) [THD3031035LK280005-10.0M](#) [SiT5001AI-2E-33N0-48.000000X](#) [CVT32-10.000](#) [SIT5356AI-FQ-33E0-25.000000X](#) [XTCLH25M000THJA0P0](#) [LFTCXO075793Cutt](#) [LFTCXO077229Cutt](#) [LFPTXO000002Bulk](#) [LFTCXO077228Cutt](#) [LFTCXO077230Cutt](#) [LFTCXO075792Cutt](#) [LFPTXO000001Bulk](#) [LFTCXO063711BULK](#) [LFTCXO063715BULK](#) [LFTCXO063780BULK](#) [LFTCXO070027Cutt](#) [LFTCXO070028Cutt](#) [LFTCXO070033Cutt](#) [LFTCXO070037Cutt](#) [LFTCXO070179Cutt](#) [LFTCXO070180Cutt](#) [LFTCXO007009BULK](#) [XNCLH20M000CHJA3P0](#) [XNCLH25M000THJA0P0](#) [XNCLH30M720THJA1P0](#) [XTCLH16M384THJA2P0](#) [XTCLH20M000CHJA0P0](#) [XTCLH30M720THJA0P0](#) [NT2016SA-26.000000MHZ-NBG2](#) [SIT1552AI-JE-DCC-32.768E](#) [SIT1566AI-JE-18E-32.768E](#) [SIT1552AI-JF-DCC-32.768D](#) [SIT1566AI-JV-18E-32.768E](#) [SIT5000AICGE-33N0-25.000000X](#) [SiT5021AI-2BE-33VQ200.000000X](#) [SiT5155AI-FK-33E0-10.000000X](#) [SiT5155AI-FK-33E0-20.000000X](#) [SiT5155AI-FK-33VT-10.000000X](#) [SiT5156AI-FK-33E0-25.000000X](#) [SiT5157AI-FK-33N0-100.000000X](#) [7Q16300001](#) [7L-38.400MDG-T](#) [LFTCXO075792](#) [LFTCXO075797](#) [LFPTXO000009Bulk](#) [LFPTXO000316Bulk](#) [SiT5000AICGE-33E0-25.000000X](#) [SiT1568AI-JE-DCC-32.768E](#) [SiT1552AI-JF-DCC-32.768E](#)