

ECS-TXO-5032MV HCMOS SMD MultiVolt™ TCXO offers a wide supply voltage or +1.7 ~ +3.6V. The 5.0 x 3.2 x 1.3 mm ceramic package is ideal for industrial and wireless applications where stability is critical.

**Obsolete/End of Life Date 8/30/2021**

**OPERATING CONDITIONS / ELECTRICAL CHARACTERISTICS**

**ECS-TXO-5032MV**



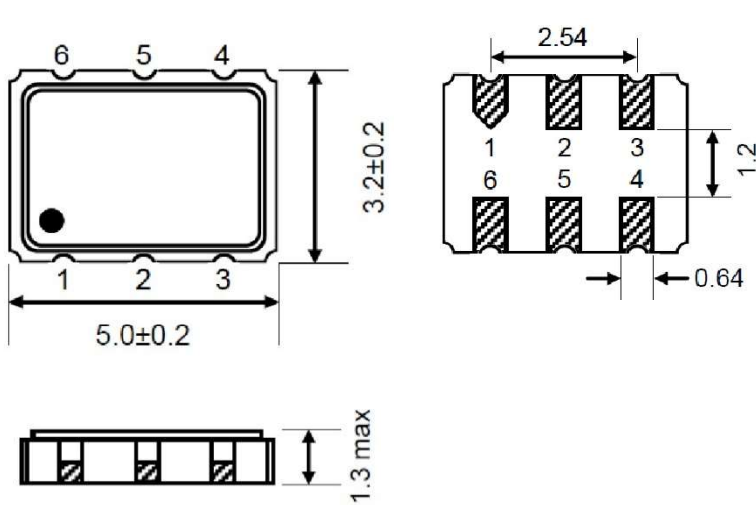
- HCMOS TCXO
- 5.0 x 3.2 mm Footprint
- Compatible with +1.8, +2.5, or +3.3V supply voltage
- PbFree/RoHS Compliant
- Peak solder temp +260°C (10 sec)
- MSL 1
- Lead Finish Au
- Compatible with 1.8V, 2.5V or 3.3V Power Supply

Parameters	Conditions	ECS-TXO-5032MV			Units
		MIN	TYP	MAX	
<b>Frequency Range</b>		9.500		60.400	MHz
<b>Operating Temperature</b>	* Standard	-30		+85	°C
<b>Storage Temperature</b>		-40		+125	°C
<b>Input Voltage</b>	VDD	+1.7		+3.6	VDC
<b>Frequency Stability</b>	Vs. Temp (-30 ~ +85°C)			±2.5	PPM
	Vs. Supply Change (±5%)			±0.3	PPM
	Vs. Load Change (±5%)			±0.3	PPM
	Vs. Aging/Year			±1.0	PPM
<b>Frequency Tolerance</b>	@ +25°C ±2°C			±1.5	PPM
<b>Current Consumption</b>				5.0	mA
<b>“0” Level</b>	VOL			0.5	VDC
<b>“1” Level</b>	VOH	90% VDD			VDC
<b>Output Symmetry</b>	@50% VDD Level			45/55	%
<b>Rise and Fall Times</b>	10% VDD to 90% Level			5	ns
<b>Output Load</b>	CMOS			15	pF
<b>Start-up Time</b>				5.0	mS
<b>Phase Noise</b>	@ 1 KHz Offset			-135	DBc/Hz

**Part Numbering Guide: Example ECS-TXO-5032MV-250-TR**

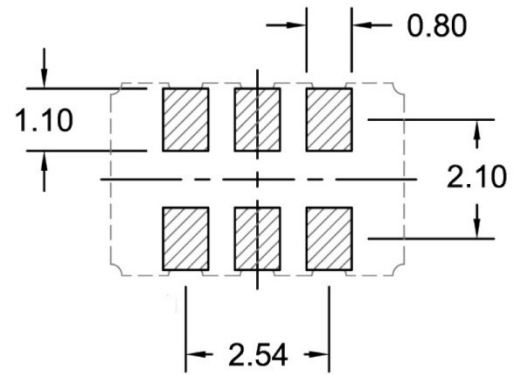
ECS	-	Series	-	Frequency Abbreviations	-	Stability Tolerance	-	Temperature	-	Packaging
ECS		TXO-5032MV = TCXO		250 = 25.000 MHz		Standard Blank = ±2.5 ppm		Standard Blank = -30 ~ +85°C  Custom Options * N = -40 ~ +85°C		TR = Tape & Reel

**Package Dimensions (mm)**



*Figure 1) Top, Side, and Bottom views*

Pin Connections	
#1	OE
#2	NC
#3	Ground
#4	Output
#5	NC
#6	VDD



*Figure 2) Suggested Land Pattern*

Developed Frequencies	
* Abbreviation	Frequency (MHz)
100	10.000
120	12.000
122.8	12.288
147.4	14.7456
160	16.000
200	20.000
250	25.000
270	27.000

## X-ON Electronics

Largest Supplier of Electrical and Electronic Components

*Click to view similar products for [TCXO Oscillators](#) category:*

*Click to view products by [ECS Inc](#) manufacturer:*

Other Similar products are found below :

[SiT5000AI-3D-33E0-10.000000X](#) [THD3031035LK280005-10.0M](#) [SiT5001AI-2E-33N0-48.000000X](#) [CVT32-10.000](#) [SIT5356AI-FQ-33E0-25.000000X](#) [XTCLH25M000THJA0P0](#) [LFTCXO075793Cutt](#) [LFTCXO077229Cutt](#) [LFPTXO000002Bulk](#) [LFTCXO077228Cutt](#) [LFTCXO077230Cutt](#) [LFTCXO075792Cutt](#) [LFPTXO000001Bulk](#) [LFTCXO063711BULK](#) [LFTCXO063715BULK](#) [LFTCXO063780BULK](#) [LFTCXO070027Cutt](#) [LFTCXO070028Cutt](#) [LFTCXO070033Cutt](#) [LFTCXO070037Cutt](#) [LFTCXO070179Cutt](#) [LFTCXO070180Cutt](#) [LFTCXO007009BULK](#) [XNCLH20M000CHJA3P0](#) [XNCLH25M000THJA0P0](#) [XNCLH30M720THJA1P0](#) [XTCLH16M384THJA2P0](#) [XTCLH20M000CHJA0P0](#) [XTCLH30M720THJA0P0](#) [NT2016SA-26.000000MHZ-NBG2](#) [SIT1552AI-JE-DCC-32.768E](#) [SIT1566AI-JE-18E-32.768E](#) [SIT1552AI-JF-DCC-32.768D](#) [SIT1566AI-JV-18E-32.768E](#) [SIT5000AICGE-33N0-25.000000X](#) [SiT5021AI-2BE-33VQ200.000000X](#) [SiT5155AI-FK-33E0-10.000000X](#) [SiT5155AI-FK-33E0-20.000000X](#) [SiT5155AI-FK-33VT-10.000000X](#) [SiT5156AI-FK-33E0-25.000000X](#) [SiT5157AI-FK-33N0-100.000000X](#) [7Q16300001](#) [7L-38.400MDG-T](#) [LFTCXO075792](#) [LFTCXO075797](#) [LFPTXO000009Bulk](#) [LFPTXO000316Bulk](#) [SiT5000AICGE-33E0-25.000000X](#) [SiT1568AI-JE-DCC-32.768E](#) [SiT1552AI-JF-DCC-32.768E](#)