

Electric Connector
Technology CO.,LTD
电连精密技术有限公司

产品料号:

818000001

核准/日期

RJJ
11/12/06'

审核/日期

MA
11/12/06'

制作/日期

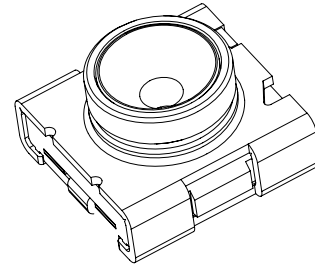
SAM
11/12/06'

1、简述

本产品适用于 RF 电路，为电路测试提供测试转接接口

2、技术参数

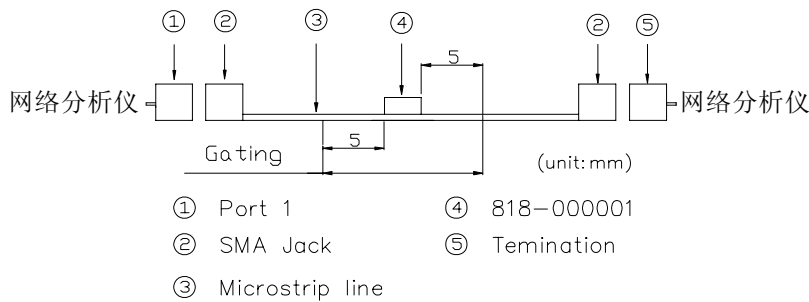
- 2.1 额定电压 250VAC
- 2.2 频率范围 0~3GHz
- 2.3 特性阻抗 50Ω
- 2.4 工作温度 -40°C ~ +85°C



3、电性能

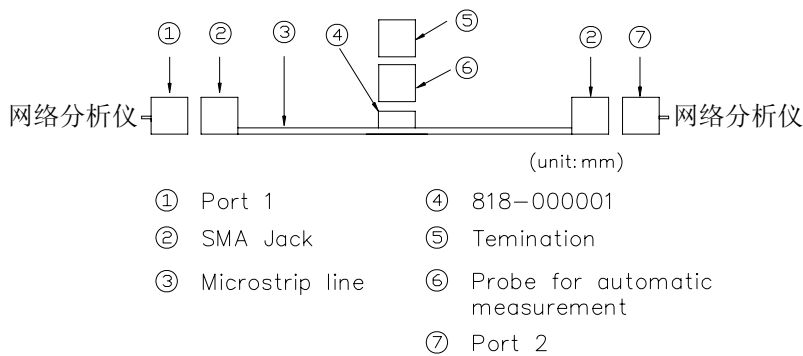
- 3.1 绝缘电阻 500MΩ
- 3.2 耐压 300V AC
- 3.3 接触电阻 120 mΩ max
- 3.4 电压驻波比(VSWR) 1.2 max

3.4.1 测试方法:



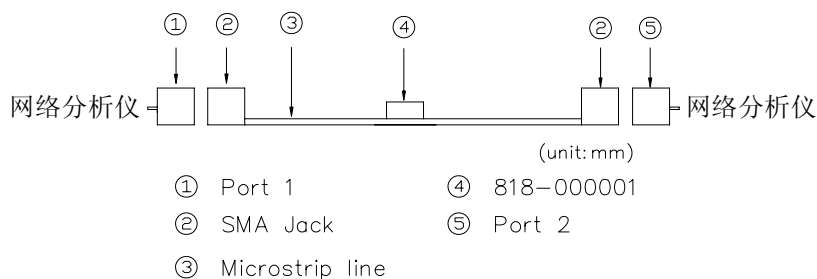
3.5 隔离度 20dBmin

3.5.1 测试方法:



3.6 插入损耗 0.10dBmax

3.6.1 测试方法:

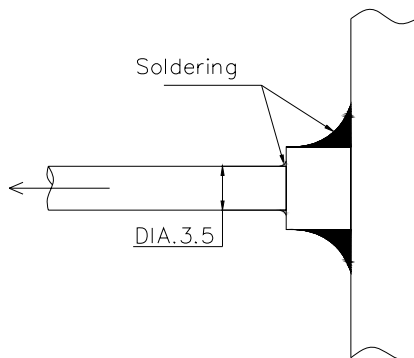


ECT Electric Connector Technology CO.,LTD 电连精密技术有限公司	产品规格书	DOC. No.: 400-0000-001	Rev.: C	Page: 2/4
	产品料号: 818000001	核准/日期	审核/日期	制作/日期
		RJJ 11/12/06'	MA 11/12/06'	SAM 11/12/06'

4、机械性能

- 4.1 接触压力 3.4N~4.5N
- 4.2 插入力 30N max
- 4.3 拔出力 5N~40N
- 4.4 机械寿命 250 次
- 4.5 焊点保持力 50N

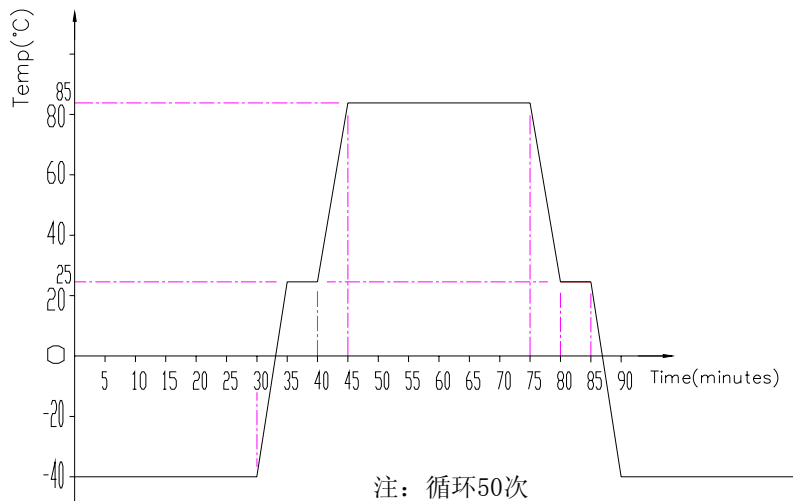
4.5.1 测试方法



- 4.6 冲击 加速度: 750m/s² (最大) 耐冲击: 6m sec. 波型: 半正弦波
- 4.7 振动 10Hz~30Hz : 3mm

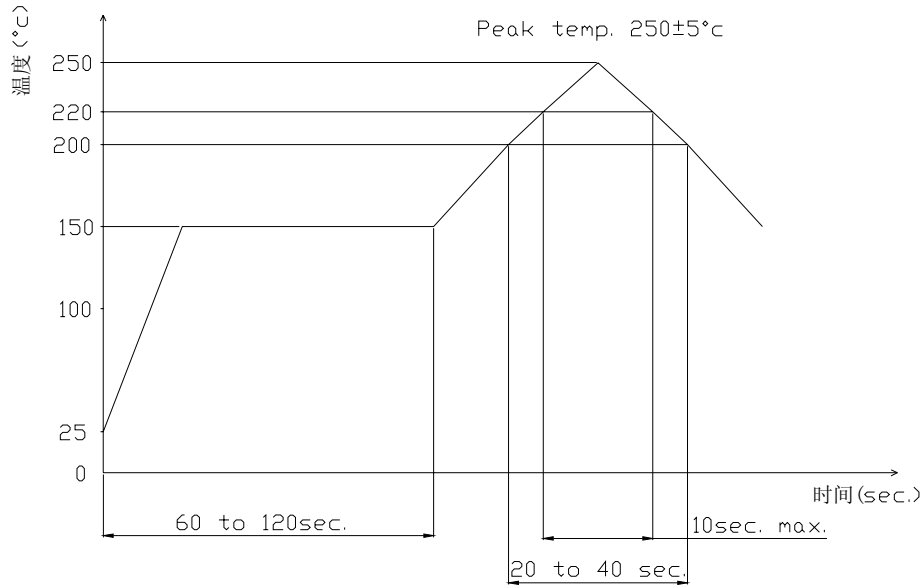
5、环境性能

5.1 高低温

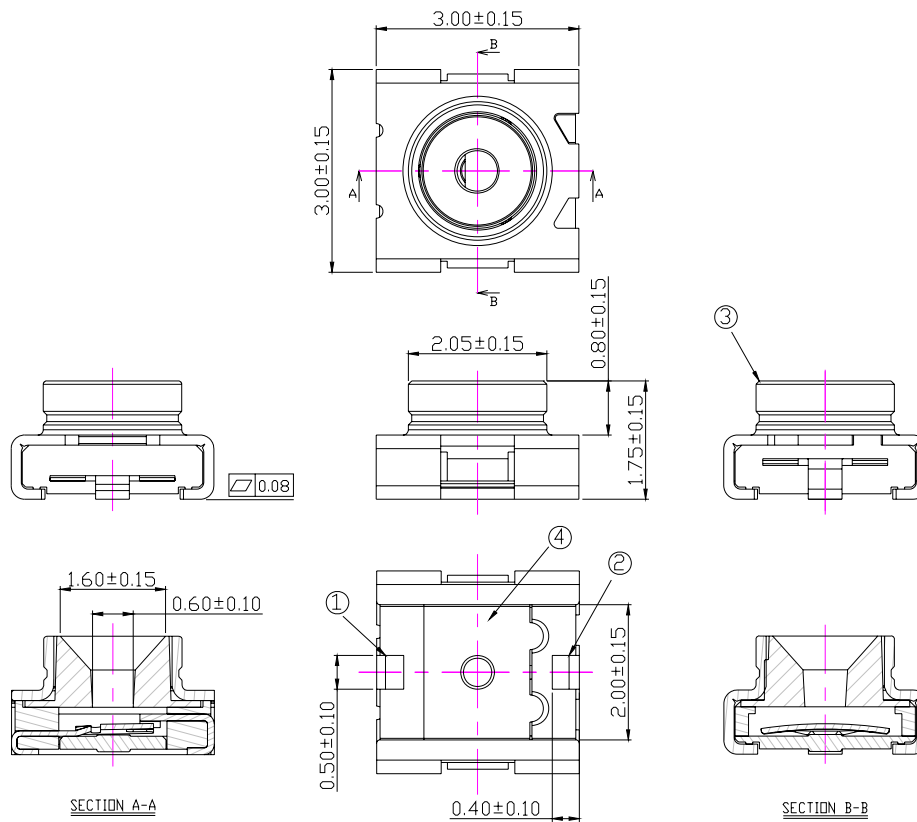


- 5.2 稳态湿热 温度: 60°C 湿度: 95% RH 时间: 96 hours

6、SMT 温度曲线图



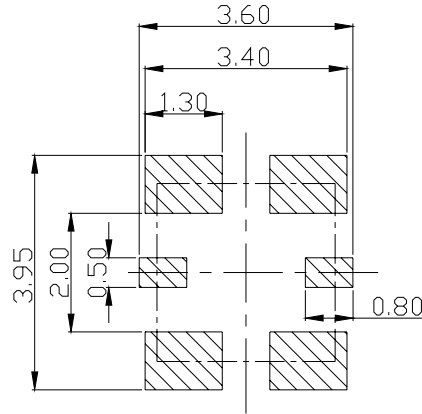
7、外形尺寸



4	Case	Engineering plastic	None	1
3	Output terminal	Copper Alloy	Silver Plating	1
2	Input terminal(R)	Copper Alloy	Gold Plating	1
1	Input terminal(C)	Stainless Steel	Gold Plating	1
No.	Part Name	Material	Finish	Q'ty

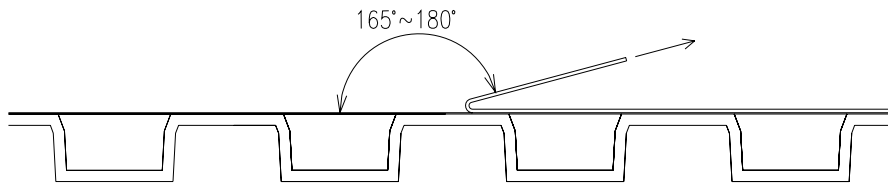
ECT Electric Connector Technology CO.,LTD 电连精密技术有限公司	产品规格书	DOC. No.: 400-0000-001	Rev.: C	Page: 4/4
	产品料号: 818000001	核准/日期	审核/日期	制作/日期
		RJJ 11/12/06'	MA 11/12/06'	SAM 11/12/06'

8、印制板（PCB）焊盘

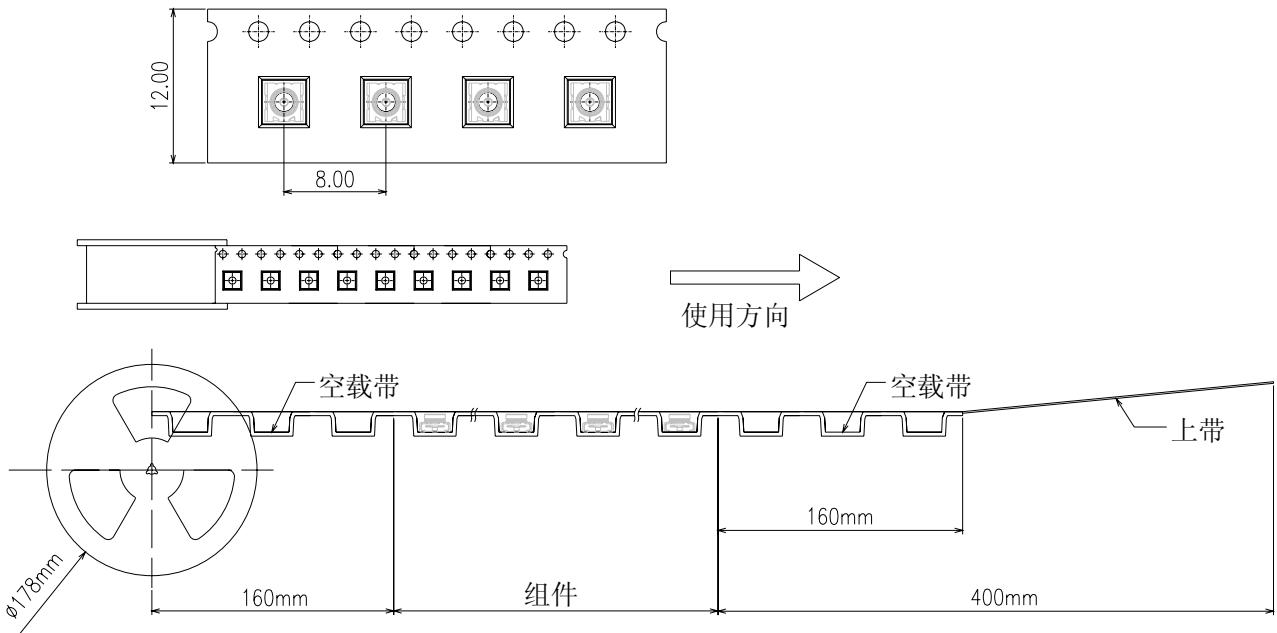


9、包装规格

9.1 上带的剥离力度：300mm/分的速度进行剥离，力度最大应该是 0.7N .



9.2 包装方式：载带包装，1000Pcs/卷（Φ178mm）



10、存储条件

温度：-10 ~ +40 °C
 湿度：15 ~ 85 % RH
 有效期：6 个月

Member of the SGS Group (S75 S)

199200500 SOEN Technology Development (Singapore) Pte. Ltd. 186-2010215555 186-20102075125
186-2010215555 186-20102075125 186-20102075125
www.cn.sgs.com sgs.china@sgs.com

GZCM 593285



This Test Report is issued by the Company subject to its General Conditions of Service printed overleaf or attached. Said Conditions are also available upon request or are accessible at www.sgs.com. Attention is drawn to the limitations of liability, indemnification and jurisdictional policies defined therein. The results shown in this Test Report refer only to the sample(s) tested unless otherwise stated and such sample(s) are retained for 90 days. This Test Report shall not be reproduced except in full, without written approval of the Company.

Wang Honglei, Leo
Sr. Engineer

Signed for and on behalf of
SGS-CSTC Ltd.

测试结果，请参见下一页

测试方法
(1) 砷含量 - 参照 EPA 方法 3050B:1998/其它检测方法。
镉含量 - 参照 BS EN1122:2001 方法 B/其它检测方法。
汞含量 - 参照 EPA 方法 3052:1996/7473:1998/其它检测方法。
分析仪器为火焰原子吸收光谱仪(AAS)/电感耦合等离子体发射光谱仪(ICP-AES)。
(2) 参照 IEC / TC111 (Draft) (Sec 8.5.2 - 淋水萃取法)。

测试项目
(1) 淋水测试样品中的砷、镉和汞含量。
(2) 淋水测试样品中是否含有砷、镉和汞。

SGS 参考标准 : GZ060721937EC-2.1
收货日期 : 2006年7月10日
测试日期 : 2006年7月10日至2006年7月14日

本报告是基于所提供的名称为“C2580”的样品所做的测试

编号 : GZ0607104996/CHEM 日期 : 2006年7月14日 页码 1 of 2



测试结果:

(1)	黄铜色金属片
铅含量 (Pb)(ppm)	30
镉含量 (Cd)	N.D.
汞含量 (Hg)	N.D.

说明: - N.D. = 未检出 (< 2 ppm)
- ppm = 毫克/千克

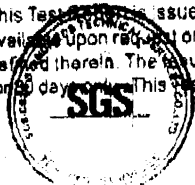
(2)	黄铜色金属片
六价铬含量 [Cr(VI)]	未检出

说明: - 未检出: 表示低于方法检出限。
- 萃取液中六价铬的检出限为 0.02 毫克/千克。
- 萃取液是用 50mL 沸水萃取表面积为 50cm² 的样品得到的。

*** 报告完 ***

COPY

This Test Report is issued by the Company subject to its General Conditions of Service printed overleaf or attached. Said Conditions are also available upon request or are accessible at www.sgs.com. Attention is drawn to the limitations of liability, indemnification and jurisdictional policies defined therein. The results shown in this Test Report refer only to the sample(s) tested unless otherwise stated and such sample(s) are retained for 30 days only. This Test Report shall not be reproduced except in full, without written approval of the Company.



GZCM 593284

136 82740160 SCIENTIFIC Park (Guangzhou) Economic & Technology Development Zone, Guangzhou, China 510663 | (86-20)82155555 | (86-20)82075125 | www.cn.sgs.com
136 82740160 SCIENTIFIC Park (Guangzhou) Economic & Technology Development Zone, Guangzhou, China 510663 | (86-20)82155555 | (86-20)82075125 | sgs.china@sgs.com



测试报告

No. SH5105241/ CHEM

Date: 1.5.2006

Page 1 of 1

委托检验的样品及申请者对样品的说明如下:

样品名称 : 锡磷青铜带
 SGS 相关号 : SHEC0051240030-5
 型号 : C5191 (QSn6.5-0.1)
 型号 : 12/4-55
 材质 : 铜带
 主要成份 : Cu, Sn

样品收到日期 : 2005-12-30
 样品试验日期 : 2005-12-30—2006-01-05

试验要求 : 1) 测定委托样品的锡含量
 2) 测定委托样品的铅含量
 3) 测定委托样品的汞含量
 4) 测定委托样品的六价铬含量
 5) 测定委托样品的多溴联苯(PBBs),多溴联苯醚(PBBEs/PBDEs)含量
 6) 客户要求根据欧洲标准中玩具安全要求,EN71 Part 3:1994 - 测定镉, 砷, 钡, 锶元素的转移量。

试验方法/试验结果: 见下一页

结论 : 6) 按检测要求, 委托样品镉, 砷, 钡, 锶元素的转移量遵从欧洲标准 EN71 Part 3:1994 条件。

SGS-CSTC 化学实验室授权签字

张曜
主管

This Test Report is issued by the Company subject to its General Conditions of Service printed overleaf or attached. Said Conditions are available upon request or are accessible at www.sgs.com. Attention is drawn to the limitations of liability, indemnification and jurisdictional defined therein. The results shown in this Test Report refer only to the sample(s) tested unless otherwise stated and such sample(s) are for 1 day only. This Test Report shall not be reproduced except in full, without written approval of the Company.





测试报告

No. SH5105241/ CHEM

Date: 1.5.2006

Page 2 of

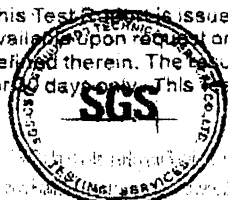
试验方法

- 1) 参照 BS EN 1122:2001 方法 B 或其他酸消解
采用电感耦合等离子发射光谱法(ICP-AES)进行分析或原子吸收光谱法(AAS)进行分析
- 2) 参照美国环境保护局(US EPA)方法 3050B 或其他酸消解
采用电感耦合等离子发射光谱法(ICP-AES) 进行分析或原子吸收光谱法(AAS)进行分析
- 3) 参照 US EPA 3052 方法或其他酸消解
采用电感耦合等离子发射光谱法(ICP-AES)或 US EPA 7473 采用测汞仪进行分析
- 4) 参照 US EPA3060A & US EPA7196A 进行分析
采用紫外分光光度计进行分析
- 5) 参照 USEPA 8081A/8270D/3540C/3550B, 采用 GC-MS 进行分析
- 6) 参照 EN71 Part 3:1994 采用电感耦合等离子发射光谱法(ICP- AES)进行分析
测定重金属元素含量。

试验结果

序号	项目	单位	检测限值	A
1	镉(Cd)	ppm	2	N.D.
2	铅(Pb)	ppm	2	22
3	汞(Hg)	ppm	2	N.D.
4	六价铬(Cr VI)*	ppm	2	N.D.
5	多溴联苯定量分析	---	---	---
	一溴联苯	ppm	5	N.D.
	二溴联苯	ppm	5	N.D.
	三溴联苯	ppm	5	N.D.
	四溴联苯	ppm	5	N.D.
	五溴联苯	ppm	5	N.D.
	六溴联苯	ppm	5	N.D.
	七溴联苯	ppm	5	N.D.
	八溴联苯	ppm	5	N.D.
	九溴联苯	ppm	5	N.D.
	十溴联苯	ppm	5	N.D.
	多溴联苯醚定量分析	---	---	---
	一溴联苯醚	ppm	5	N.D.
	二溴联苯醚	ppm	5	N.D.
	三溴联苯醚	ppm	5	N.D.
	四溴联苯醚	ppm	5	N.D.
	五溴联苯醚	ppm	5	N.D.
	六溴联苯醚	ppm	5	N.D.
	七溴联苯醚	ppm	5	N.D.

This Test Report is issued by the Company subject to its General Conditions of Service printed overleaf or attached. Said Conditions available upon request or are accessible at www.sgs.com. Attention is drawn to the limitations of liability, indemnification and jurisdictional defined therein. The results shown in this Test Report refer only to the sample(s) tested unless otherwise stated and such sample(s) are for 30 days only. This Test Report shall not be reproduced except in full, without written approval of the Company.





测试报告

No. SH5105241/ CHEM

Date: 1.5.2006

Page 3 of 3

	八溴联苯醚	ppm	5	N.D.
	九溴联苯醚	ppm	5	N.D.
	十溴联苯醚	ppm	5	N.D.

6) EN 71 Part3:1994 + A1:2000—几种元素的转移

元素	A	上限
可溶性锑 (Sb)	< 5	60 mg/kg
可溶性砷 (As)	< 2.8	25 mg/kg
可溶性钡 (Ba)	< 10	1000 mg/kg
可溶性硒 (Se)	< 10	500 mg/kg

(所示结果为样品总重烘烘中的含量)

结果经分析调整

样品外观描述(照片见附页):

A. 铜色金属带

备注: ppm =mg/kg

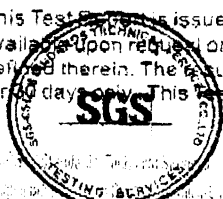
N.D.=未检出 (低于检测极限值)

<=小于

*应客户要求,采用 EPA3060 方法对该样品进行检测.

报告结束

This Test Report is issued by the Company subject to its General Conditions of Service printed overleaf or attached. Said Conditions are also available upon request or are accessible at www.sgs.com. Attention is drawn to the limitations of liability, indemnification and jurisdictional policies defined therein. The results shown in this Test Report refer only to the sample(s) tested unless otherwise stated and such sample(s) are retained for 90 days only. This Test Report shall not be reproduced except in full, without written approval of the Company.





Test Report

No.: GZ0608120263/CHEM

Date: AUG 10, 2006

Page 1 of 1

CAN YU METAL PRODUCT CO., LTD
SHI TAN BU INDUSTRIAL ZONE, TANG XIA DONG GUAN

Report on the submitted sample said to be Import stainless steel
Client Reference: SUS301

SGS Ref No. : SZ060737239RS-2.2
Sample Receiving Date : AUG 04, 2006
Testing Period : AUG 04, 2006 TO AUG 09, 2006

Test Requested : As specified by client, to determine the Lead, Cadmium, Mercury & Hexavalent Chromium content in the submitted sample.

Test Method : Lead content - With reference to EPA 3050B: 1996 & other acid digestion.
Cadmium content - With reference to BS EN1122: 2001 method B & other acid digestion.
Mercury content - With reference to EPA 3052: 1996 & other acid digestion.
Hexavalent Chromium content - As specified by client, with reference to EPA 3060A: 1996 & EPA 7196A: 1992.
Analysis was performed by Atomic Absorption Spectrometer & Inductively Coupled Plasma Atomic Emission Spectrometer (ICP-AES) & UV-VIS Spectrophotometer.

Results :

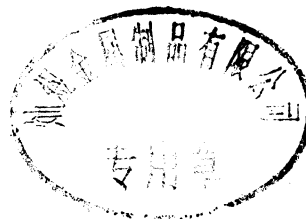
Item	Unit	MDL	Silvery metal sheet
Lead Content (Pb)	ppm	2	N.D.
Cadmium Content (Cd)	ppm	2	N.D.
Mercury Content (Hg)	ppm	2	N.D.
Hexavalent Chromium Content [Cr(VI)]	ppm	2	N.D.

Note : - N.D. = Not Detected (< MDL)
- MDL = Method Detection Limit
- ppm = mg/kg
- This report is to supersede test report GZ0608120263/CHEM

*** End of Report ***

Signed for and on behalf of
SGS-CSTC Ltd.

Zhang Li, Amy
Sr. Engineer



This Test Report is issued by the Company subject to its General Conditions of Service printed overleaf or attached. Said Conditions are also available upon request or are accessible at www.sgs.com. Attention is drawn to the limitations of liability, indemnification and jurisdictional policies defined therein. The results shown in this Test Report refer only to the sample(s) tested unless otherwise stated and such sample(s) are retained for 90 days only. This Test Report shall not be reproduced except in full, without written approval of the Company.

材 質 證 明 書

灿煜金屬製品有限公司

MATERIAL CERTIFICATE

廣東省東莞市塘廈鎮橫塘工業區

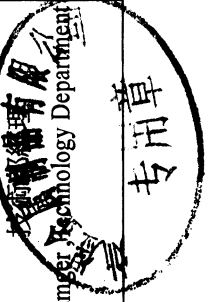
CANYU METAL PRODUCTS CO. LTD

TEL : 86-769-7928390 FAX : 86-7697901980

製造編號		生產編號 Customer No				20060101206		開立日期 Issue Date		2006-10-12		證明書編號 Certificate No		20060101206			
鋼種名稱		SUS301				數量 Quantity		重量 (KG) Weight		成品表面加工 Surface Finish		依據規範 By Standard		JIS			
鋼卷編號 Coil No		厚度 (MM) Thickness		寬度 (MM) Width		長度 (MM) Length											
專案 Item		0.08				COIL COIL COIL COIL COIL COIL											
規格 (Chemical Analysis Wt.%)																	
C		Si		Mn		P		S		Ni		Cr		Mo		N	
0.15 max.		1.00 max.		2.00 max.		0.045 max.		0.030 max.		6.00 8.00		16.00 18.00					
0.13		0.67		1.15		0.032		0.003		6.74		17.65					
規格 Spec		硬度 Hardness		降伏強度 (N/mm ²) Yieldstress		引張強度 (N/mm ²) Tensile Stress		伸長率 (%) Elongation		彎曲試驗 BendTest							
專案 Item		HV		min		min		min		min							
		393		858		1135		5.06		OK							
		20060101206															

以上所列出的典型資料，僅供參考，並不代表技術資料的最大或最小值，也不用於最終設計。任一具體材料的如有異常，請於三天內回復。
資料可能與此表中所列出的資料有所不同。

Data shown are typical, For reference only, and should not be construed as maximum or minimum values for specification or for final .Data on any particular piece of material may vary from those shown heren.



第一节 公司名称及化学产品

公司: 东莞市灿煜金属制品有限公司

住址: 中国广东省东莞市塘厦镇

电话: (0769)87928390 传真: (0769)87901980

物质: 光亮的 stainless steel

化学品族: 金属

制订/校订日期: 05-08-2006

第二节 关于成分的说明

成份: 碳

百分比: 0.00-0.15

成份: 锰

百分比: 0.00-2.00

成份: 硅

百分比: 0.00-0.75

成份: 铬

百分比: 16.00-18.00

成份: 镍

百分比: 6.00-8.00

成份: 磷

百分比: 0.00-0.045

成份: 硫

百分比: 0.00-0.030

第三节 危险认识

颜色:光亮到浅黄

气味:无味

实体:具有弹性,在使用不当时可能划伤皮肤

短期目视:无不良反映

长期目视:有刺激,可导至视力模糊,头昏眼花.

第四节 应急措施

SUS301

目射:如有不良反映,应立刻离开照射范围,找一通风口, 放松一下眼睛。

皮肤接触:工作中应穿劳保用品, 戴耐磨手套. 如有划伤皮肤, 应立即用消毒液消毒, 然后盖上药棉.

第五节 火灾时的措施

火灾及爆炸危险:材料本身不会产生火灾和爆炸的危险, 如遇仓库着火时, 首先切断电源, 再实施灭火。

灭火剂:一般的干化学品,沙子,苏打灰.不可使用水或泡沫.

灭火注意事项:不要拿水直接地在材料上,不要直接接触流漏出来的材料,以免热材料伤人,使不必要的人远离火区,隔离危险区禁止不必要的人进入,把材料运到远离火源

的地方,放到干净的地方.

第六节 使用注意事项

保护眼睛: 依情况配备

保护手套: 必需配备

保护衣: 最好配备

第七节 危险性情报

闪点: 无数据 燃点: 无数据

爆炸极限：无数据 燃烧性（自燃性、与水反应性）：无

粉爆炸性：无 自反应、爆炸性：无

稳定性、反应性：在室温、无强腐蚀环境中具有较强的稳定性。

第八节 有害性情报

皮肤腐蚀性：无

刺激性（皮肤、眼睛）：皮肤刺激性无，眼睛刺激性因人和时间存

不同程度的危害。

感染性：无

急性毒性：（包括致死量）：无实践

慢性毒性：无实践

致癌性（微生物、染色体异常）：无实践

变异性：无实践

生殖毒性：无实践

致畸性：无实践

第九节 环境影响情报

SUS301

分解性：无实践

蓄积性：无实践

鱼毒性：无实践

第十节 运输方面的注意事项

搬运时，确定用耐磨包装纸外包材料，并放置于木架上，装载时严禁倒置、
摔落、损伤，切实捆绑。其它根据消防法、车船安全等法令实施。

第十一节 废弃物的处理

作为产业废弃物应交给获得相关许可证的处理业者处理。

注：记载内容依据目前获得的资料、情报、数据制作而成，但对于文中记载的数据

不作任何保证，危险、有害性的评价未必充分，因此请在处理时予以充分注意

。

并且注意事项以日常处理为对象，在使用时，请采取适合用途、用法的安全对策的基础上加以处理。



Test Report

No : CE/2006/B6609 Date : 2006/12/05 Page: 1 of 4

KURARAY CO., LTD.

日本東京都中央区日本橋3-1-6 (KURARAY 日本橋BLD)



Report on the submitted sample said to be NEW HEAT-RESISTANT PLOYAMIDE RESIN.

Style/Item No : PA9T G2330 & GN2330 & G2450 & GN2450 & GN2332 &
GW2508 & GW2458 & GT2330 & G1302F & G1300H-F02 &
G1300H-L02 & GR2300
Sample Receiving Date : 2006/11/28
Testing Period : 2006/11/28 TO 2006/12/05

=====
Test Requested : In accordance with the RoHS Directive 2002/95/EC, and its amendment directives.

Test Method : (1) With reference to BS EN 1122:2001, Method B for Cadmium Content. Analysis was performed by ICP-AES.
(2) With reference to US EPA Method 3050B for Lead Content. Analysis was performed by ICP-AES.
(3) With reference to US EPA Method 3052 for Mercury Content. Analysis was performed by ICP-AES.
(4) With reference to US EPA Method 3060A & 7196A for Hexavalent Chromium for non-metallic samples. Analysis was performed by UV/Vis Spectrometry.
(5) With reference to US EPA 3540C for PBBs/PBDEs Content. Analysis was performed by GC/MS.

Test Result(s) : Please refer to next page(s).



Test Report

No : CE/2006/B6609 Date : 2006/12/05 Page: 2 of 4

KURARAY CO., LTD.

日本東京都中央区日本橋3-1-6 (KURARAY 日本橋BLD)



Test results by chemical method (Unit: mg/kg)

Test Item (s):	Method (Refer to)	Result		MDL
		No.1		
Cadmium (Cd)	(1)	n.d.		2
Lead (Pb)	(2)	n.d.		2
Mercury (Hg)	(3)	n.d.		2
Hexavalent Chromium (CrVI)	(4)	n.d.		2
Sum of PBBs		n.d.		-
Monobromobiphenyl		n.d.		5
Dibromobiphenyl		n.d.		5
Tribromobiphenyl		n.d.		5
Tetrabromobiphenyl		n.d.		5
Pentabromobiphenyl		n.d.		5
Hexabromobiphenyl		n.d.		5
Heptabromobiphenyl		n.d.		5
Octabromobiphenyl		n.d.		5
Nonabromobiphenyl		n.d.		5
Decabromobiphenyl		n.d.		5
Sum of PBDEs (Mono to Nona) (Note 4)	(5)	n.d.		-
Monobromobiphenyl ether		n.d.		5
Dibromobiphenyl ether		n.d.		5
Tribromobiphenyl ether		n.d.		5
Tetrabromobiphenyl ether		n.d.		5
Pentabromobiphenyl ether		n.d.		5
Hexabromobiphenyl ether		n.d.		5
Heptabromobiphenyl ether		n.d.		5
Octabromobiphenyl ether		n.d.		5
Nonabromobiphenyl ether		n.d.		5
Decabromobiphenyl ether		n.d.		5
Sum of PBDEs (Mono to Deca)		n.d.		5

Test Report

No : CE/2006/B6609 Date : 2006/12/05 Page: 3 of 4

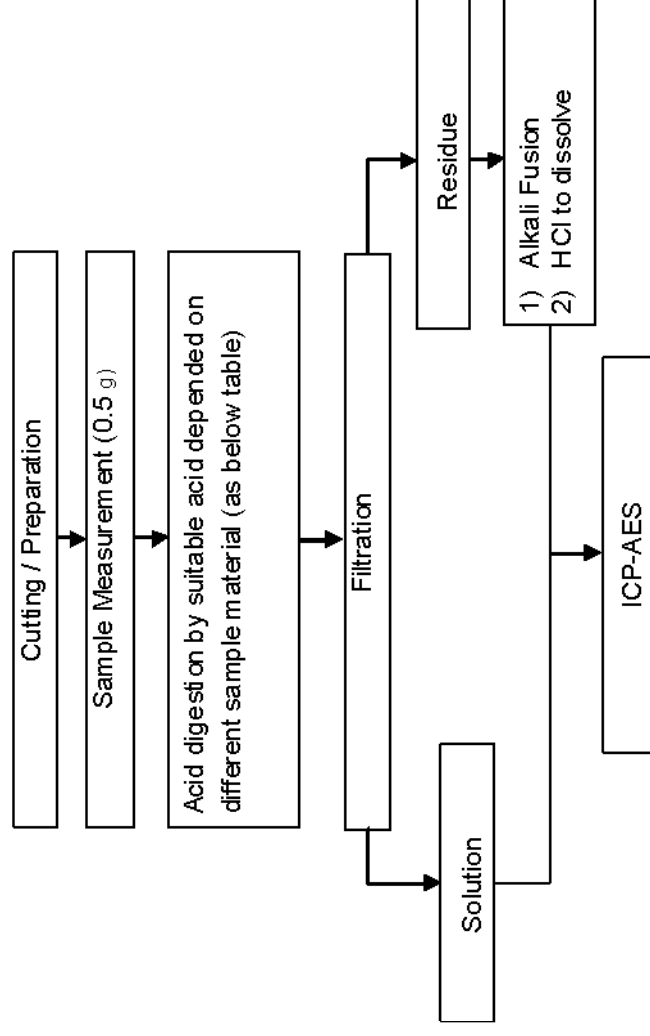
KURARAY CO., LTD.

日本東京都中央区日本橋3-1-6 (KURARAY 日本橋BLD)



- 1) These samples were dissolved totally by pre-conditioning method according to below flow chart.
- 2) Name of the person who made measurement: Anren Lee
- 3) Name of the person in charge of measurement: Daniel Yeh

Method 1: Flow Chart of Digestion for Cd · Pb analysis



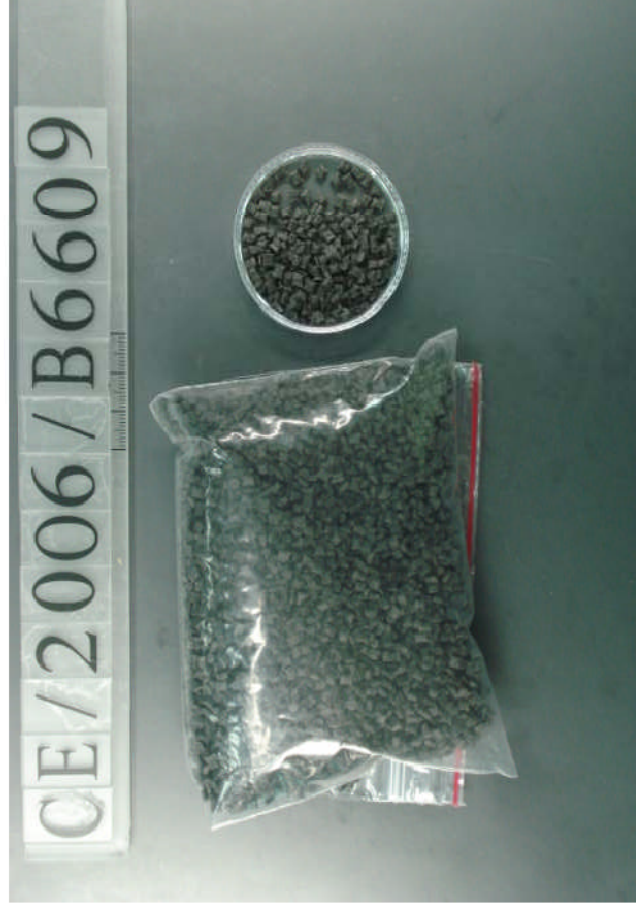
Steel, copper, aluminum, solder	Aqua regia, HNO ₃ , HCl, HF, H ₂ O ₂
Glass	HNO ₃ /HF

Test Report

No : CE/2006/B6609 Date : 2006/12/05 Page: 4 of 4

KURARAY CO., LTD.

日本東京都中央区日本橋3-1-6 (KURARAY 日本橋BLD)



** End of Report **

E I DUPONT DE NEMOURS & CO INC

ENGINEERING POLYMERS CHESTNUT RUN PLAZA PO BOX 80713

WILMINGTON DE 19880

Material Designation: GN2332

Product Description: Polyamide 9T (PA9T), designated "ZYTEL" furnished as pellets.

Color	Min. Thick. (mm)	Flame Class	HWI	HAI	RTI Elec	RTI Imp	RTI Str	IEC GWIT	IEC GWFI
ALL	0.75	V-0	0	0	140	120	120	925	960
ALL	1.5	V-0	0	0	140	120	120	925	960
NC, BK	1.5	V-0, 5VA	0	0	140	120	120	925	960
ALL	3.0	V0	0	0	140	120	130	960	960

CTI: 1 **IEC CTI: -** **HVTR: 0** **D495: -** **IEC Ball Pressure (°C): -**

Dielectric Strength (kV/mm): 26 **Volume Resistivity (10⁹ohm-cm): 14** **Dimensional Stability(%): 0**
ISO Tensile Strength (MPa): - **ISO Flexural Strength (MPa): -** **ISO Heat Deflection (°C): -**
ISO Tensile Impact (kJ/m²): - **ISO Izod Impact (kJ/m²): -** **ISO Charpy Impact (kJ/m²): -**

(+) Virgin and regrind up to 50% by weight inclusive, have the same basic material characteristics.

NOTE (1) Material designations that are color pigmented may be followed by suffix letters and numbers. (2) Material designations may be prefixed by "ZYT" or "MIN" or "ZEN" or "DEL" or "CRA" or "RYN".

Report Date: 8/22/1996

Underwriters Laboratories Inc®

UL94 small-scale test data does not pertain to building materials, furnishings and related contents. UL 94 small-scale test data is intended solely for determining the flammability of plastic materials used in components and parts of end-product devices and appliances, where the acceptability of the combination is determined by ULI.

X-ON Electronics

Largest Supplier of Electrical and Electronic Components

Click to view similar products for [RF Connectors](#) / [Coaxial Connectors](#) category:

Click to view products by [ECT manufacturer](#):

Other Similar products are found below :

[R125315120](#) [8915-1511-000](#) [89674-0827](#) [5916-1103-603](#) [0106-001-000](#) [6-0001-3](#) [6001-7071-019](#) [6002-7051-003](#) [6002-7551-202](#) [6059674-1](#) [619550-1](#) [630059-000](#) [M39012/25-0021](#) [M39012/79-3008](#) [M39030/3-01N](#) [M39030/3-03N](#) [M3933/25-29N](#) [M3933/25-36N](#) [6500-7071-046](#) [6501-1071-002](#) [M83723/72W24576](#) [M83723/72W2457N](#) [6769](#) [CX050L2AQ](#) [7002-1541-010](#) [7002-1572-002](#) [7003-1572-002](#) [7004-1512-000](#) [7009-1511-004](#) [7010-1511-000](#) [7029-1511-060](#) [7101-1541-010](#) [7101-1571-002](#) [7105-1521-002](#) [7145-1521-002](#) [7209-1511-011](#) [7210-1511-012](#) [7210-1511-015](#) [7210-1511-019](#) [7210-1511-040](#) [7225-1512-050](#) [7242-1511-000](#) [73137-5015](#) [73251-0111](#) [73251-0672](#) [73276-1501](#) [73366-0013](#) [73404-2300](#) [73413-6080](#) [734151610](#)