

| | | | | |
|---|-----------------------|-----------------------|--------------------|------------------|
| ECT Electric Connector Technology CO.,LTD 深圳市电连精密技术有限公司 | Product Specification | DOC. No.: 651-0158-01 | Rev.: B | Page: 1/4 |
| | PART No.: | Approved/Date | Checked/Date | Made/Date |
| | ECT818000158 | Henry 11/01/10' | Henry 11/01/10' | SAM 11/01/10' |

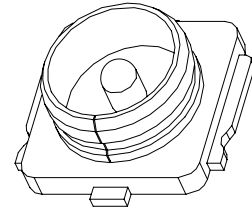
1、Scope(简述)

The product described in this paper is a SMT Type Micro Coaxial RF Receptacle, whose part name in our comply is USS RF REC..It is special for Microstrip-to-Coaxial adapter in RF circuit, Such as Mobile Phone, Wireless Net, MiniPCI, Bluetooth, PDA, GPS, Electric Measurement Instruments and so on.

本产品为超小表面贴装 (USS RF 第 II 代), 适用于 RF 电路微带同轴传输转接口, 应用于移动电话, 无线网络, 袖珍型 PCI, 蓝牙, 掌上电脑, 全球定位系统, 电子测量仪器, 等等

2、Technical Parameters(技术参数)

| | |
|-------------------------------|-----------------|
| 2.1 Rated Voltage(额定电压) | 60VAC (R. M. S) |
| 2.2 Frequency Range(频率范围) | 0~6GHz |
| 2.3 Character Impedance(特性阻抗) | 50Ω |
| 2.4 Operate Temperature(工作温度) | -40°C ~ +90°C |
| 2.5 Operate Humidity(工作湿度) | 90% MAX |



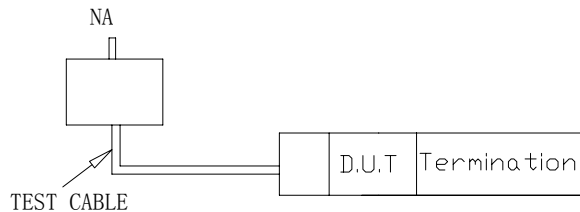
3、Electric Performance(电性能)

| | |
|---------------------------------------|---|
| 3.1 Dielectric Resistance(绝缘阻抗) | 500MΩ |
| 3.2 Dielectric Withstand Voltage(耐电压) | 200V AC 1Min |
| 3.3 Contact Resistance(接触阻抗) | |
| 3.3.1 Inner Contact(内导体) | Initial(初始): 15 mΩ max After(测试后): 20 mΩ max |
| 3.3.2 Outer Contact(外导体) | Initial(初始): 10 mΩ max After(测试后): 15 mΩ max |

3.4 VSWR(电压驻波比)

| | |
|---------|---------|
| ≦ 3GHz | 3-6GHz |
| 1.2 max | 1.3 max |

3.4.1 Test Method(测试方法):



4、Mechanical Performance(机械性能)

| | |
|--------------------|--|
| 4.1 Durability(寿命) | 100 Cycles |
| 4.2 Shock(冲击) | Accerlaration: 735m/s ² , 11ms (Time), Waveform: Half-wave waveform, 6 Cycles In Each X-Y-Zaxis 加速度: 735m/s ² , 11ms (时间), 波形: 半正弦波, 3个轴向各6个循环 |
| 4.3 Vibration(振动) | Frequency: 10-100Hz, single amplitude of 1.5mm, acceleration of 59m/s ² . for 5cycles in the direction of each of the 3axis. 频率: 10-100Hz, 单向幅度 1.5mm, 加速度: 59m/s ² , 3个轴向各5个循环 |

| | | | | |
|---|-----------------------|-----------------------|--------------------|------------------|
| ECT Electric Connector Technology CO.,LTD 深圳市电连精密技术有限公司 | Product Specification | DOC. No.: 651-0158-01 | Rev.: B | Page: 2/4 |
| | PART No.: | Approved/Date | Checked/Date | Made/Date |
| | ECT818000158 | Henry 11/01/10' | Henry 11/01/10' | SAM 11/01/10' |

5、Environment Performance (环境性能)

5.1 Temperature & Humidity Cycling (稳态湿热) TEM.: 60°C Relative Humidity: 95% RH Time: 96 hours
 温度: 40°C 湿度: 95% RH 时间: 96 hours

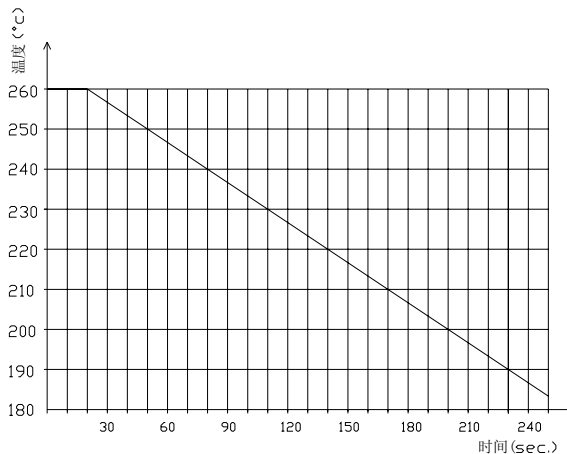
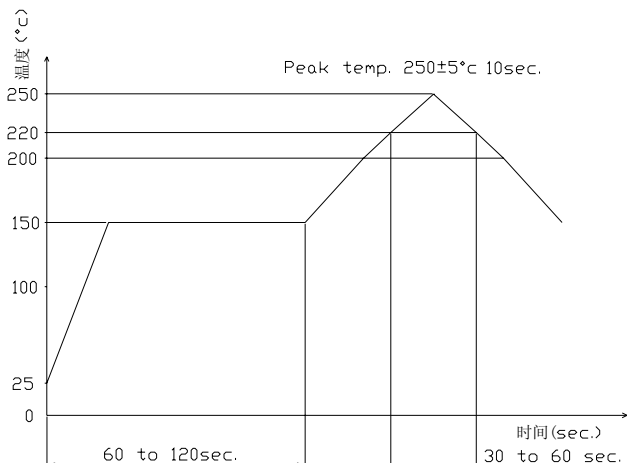
5.2 Salt spray (盐雾试验) Temp.: 35°C Conduction: 5% Time: 48 hours
 温度: 35°C 浓度: 5% 时间: 48 hours

5.3 Solderability (可焊性) The Sn Immersed Area must beyond by 95%.
 吃锡面积 95%以上

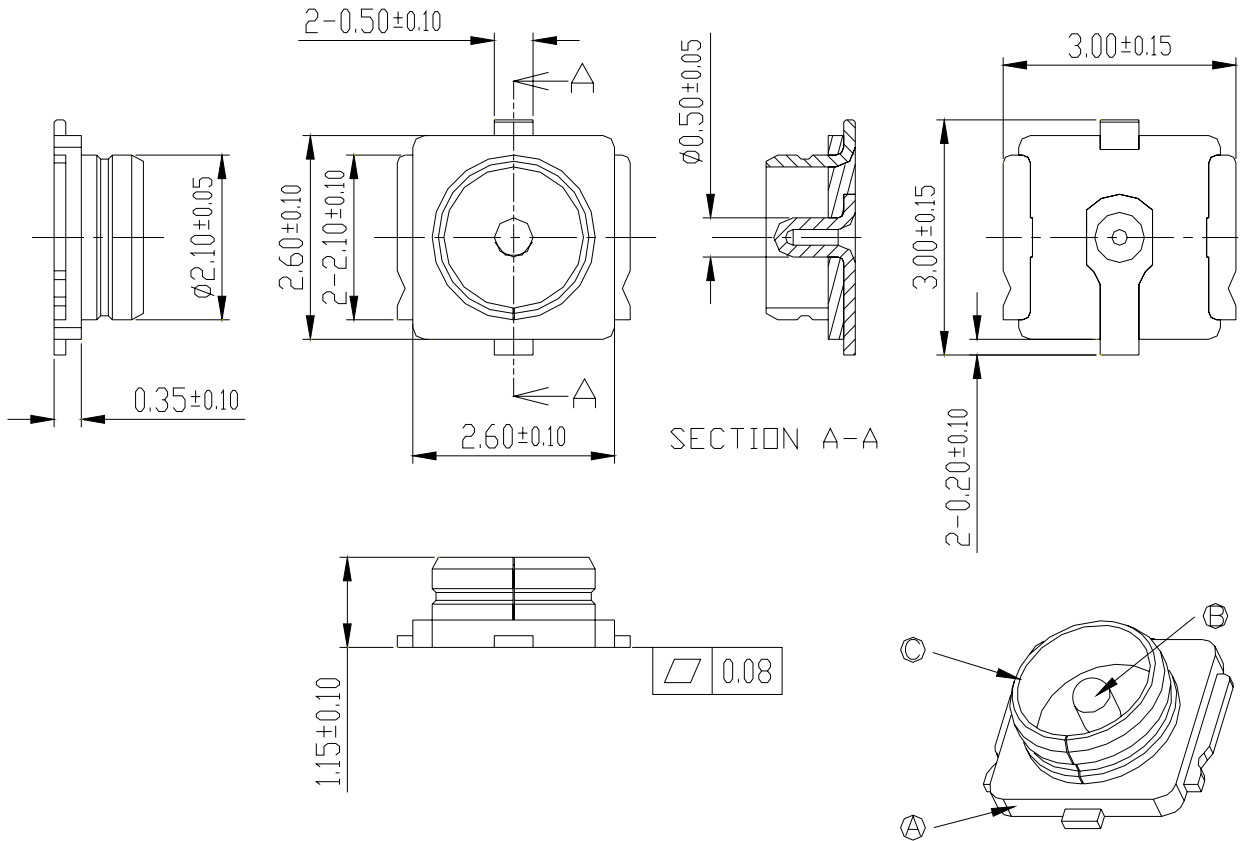
6、SMT Temperature Curve (SMT 温度曲线图)

6.1 Recommended tem.&time relative curve of Re-flow.
 建议回流焊温度与时间条件

6.2 Extremed tem.&time curve of Re-flow
 回流焊极限温度与时间条件

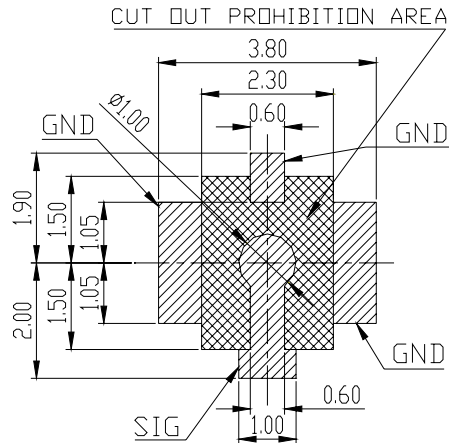


7、Profile Dimensions (外形尺寸)



| ITEM | PART NAME | Q'TY | MATERIAL/FINISH |
|------|-----------|------|-----------------------------------|
| ◎ | SHELL | 1 | COPPER ALLOY/Ag PLATED OVER Ni |
| ⊕ | CONTACT | 1 | COPPER ALLOY/GOLD PLATED OVER Ni |
| Ⓐ | HOUSING | 1 | HIGHT TEMP. PLASTIC UL94V-0/BLACK |

8、PCB LAYOUT



RECOMMENDED P.C.B. LAYOUT
(TOLERANCE ±0.05)

X-ON Electronics

Largest Supplier of Electrical and Electronic Components

Click to view similar products for [RF Connectors](#) / [Coaxial Connectors](#) category:

Click to view products by [ECT manufacturer](#):

Other Similar products are found below :

[R125315120](#) [8915-1511-000](#) [89674-0827](#) [5916-1103-603](#) [0106-001-000](#) [6-0001-3](#) [6001-7071-019](#) [6002-7051-003](#) [6002-7551-202](#) [6059674-1](#) [619550-1](#) [630059-000](#) [M39012/25-0021](#) [M39012/79-3008](#) [M39030/3-01N](#) [M39030/3-03N](#) [M3933/25-29N](#) [M3933/25-36N](#) [6500-7071-046](#) [6501-1071-002](#) [M83723/72W24576](#) [M83723/72W2457N](#) [6769](#) [CX050L2AQ](#) [7002-1541-010](#) [7003-1572-002](#) [7004-1512-000](#) [7009-1511-004](#) [7010-1511-000](#) [7029-1511-060](#) [7101-1541-010](#) [7101-1571-002](#) [7105-1521-002](#) [7145-1521-002](#) [7209-1511-011](#) [7210-1511-012](#) [7210-1511-015](#) [7210-1511-019](#) [7210-1511-040](#) [7225-1512-050](#) [7242-1511-000](#) [73137-5015](#) [73251-0111](#) [73251-0672](#) [73276-1501](#) [73366-0013](#) [73404-2300](#) [73413-6080](#) [734151610](#) [73415-5721](#)