

NO CONTACTS AT
1 AND 17 POSITION
FOR 299-017-299-198

**TOLERANCE
UNLESS OTHERWISE
SPECIFIED IN MM:**
X.X ±0.2
X.XX ±0.10
X.XXX ±0.050

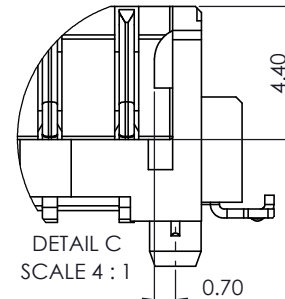
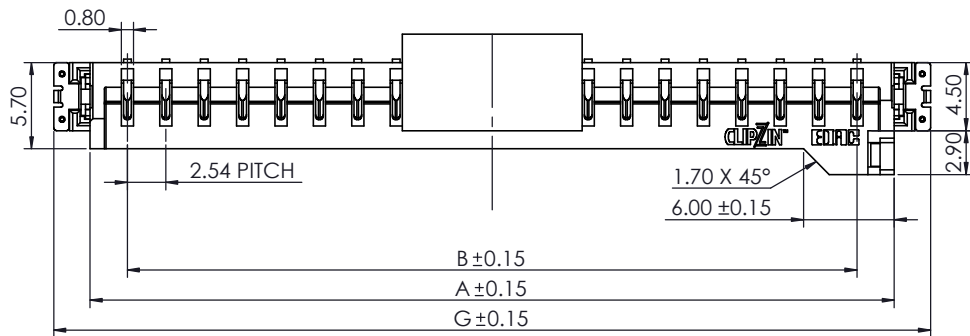
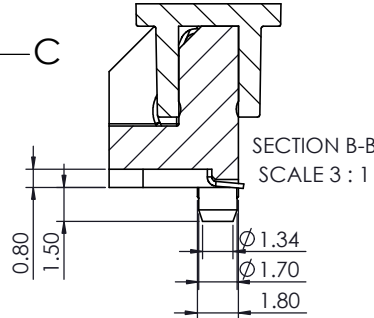
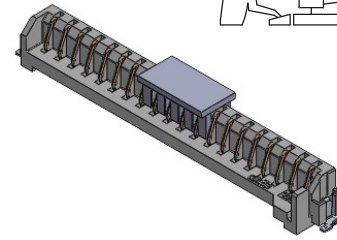
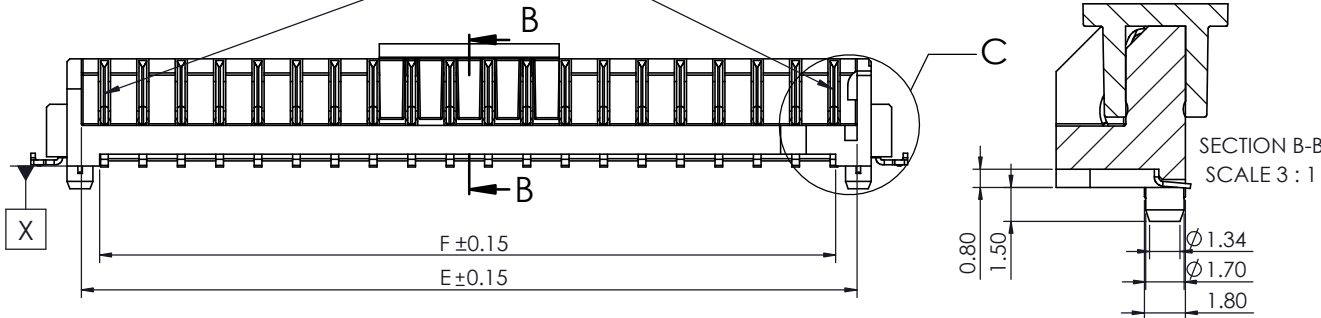
THIS IS A C.A.D. GENERATED DRAWING
DO NOT MAKE MANUAL REVISIONS TO MASTER.



ISSUE NUMBER

ORIGINAL

CAP MATERIAL UPDATE
ADD 0.66 NOSE HEIGHT
E.P. 21 SEP-22



NOTE:

1. MATERIAL

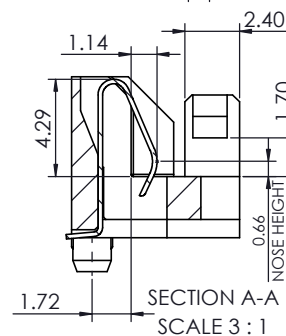
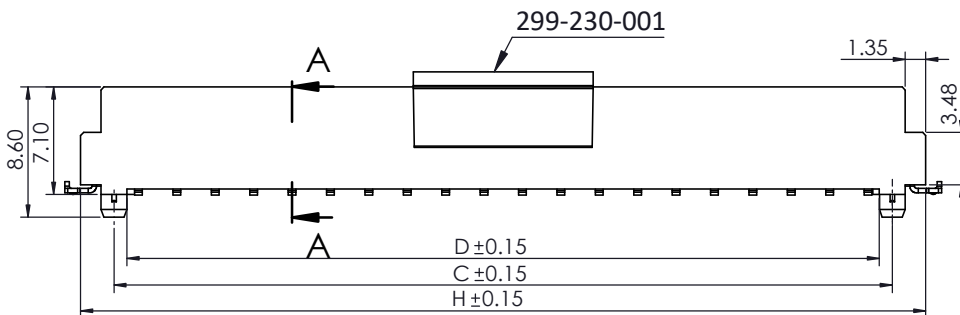
HOUSING: LCP + 30GF, NATURAL, UL 94V-0
TERMINAL: PHOSPHOR BRONZE C5191-EH,(t=0.2mm)
CAP: LCP E130i UL 94V-0 Black Color

2. TERMINAL PLATING

CONTACT AREA: GOLD FLASH
SOLDER TAIL AREA: TIN PLATING
ALL OVER NICKEL UNDER PLATING

3. TAIL COPLANARITY

TAILS TO BE WITHIN 0.02 UPWARD AND 0.15
DOWNWARD FROM X-DATUM PLANE, AND
TAIL COPLANARITY TO BE 0.15.



PART NO.	A	B	C	D	E	F	G	H
299-006-299-198	17.64	12.70	15.92	14.20	15.74	13.14	22.44	20.34
299-008-299-198	22.72	17.78	21.00	19.28	20.82	18.22	27.52	25.42
299-017-299-198	45.58	40.64	43.86	42.14	43.68	41.08	50.38	48.28
299-020-299-198	53.20	48.26	51.48	49.76	51.30	48.70	58.00	55.90

SMT TYPE, CARD EDGE CUSTOM CONNECTOR WITH STABILISER

DRAWN: E.P. DATE: 10/AUG/2022

CHECKED: R.S.M DATE: 10/AUG/2022

PART NUMBER

299-0XX-299-198 SHEET 1 OF 3

DRAWING NUMBER

299-0XX-299-198 ISSUE P2



THIS SERIES FULLY CONFORMS TO THE
EUROPEAN UNION DIRECTIVES 2011/65/EU
RoHS COMPLIANCY.

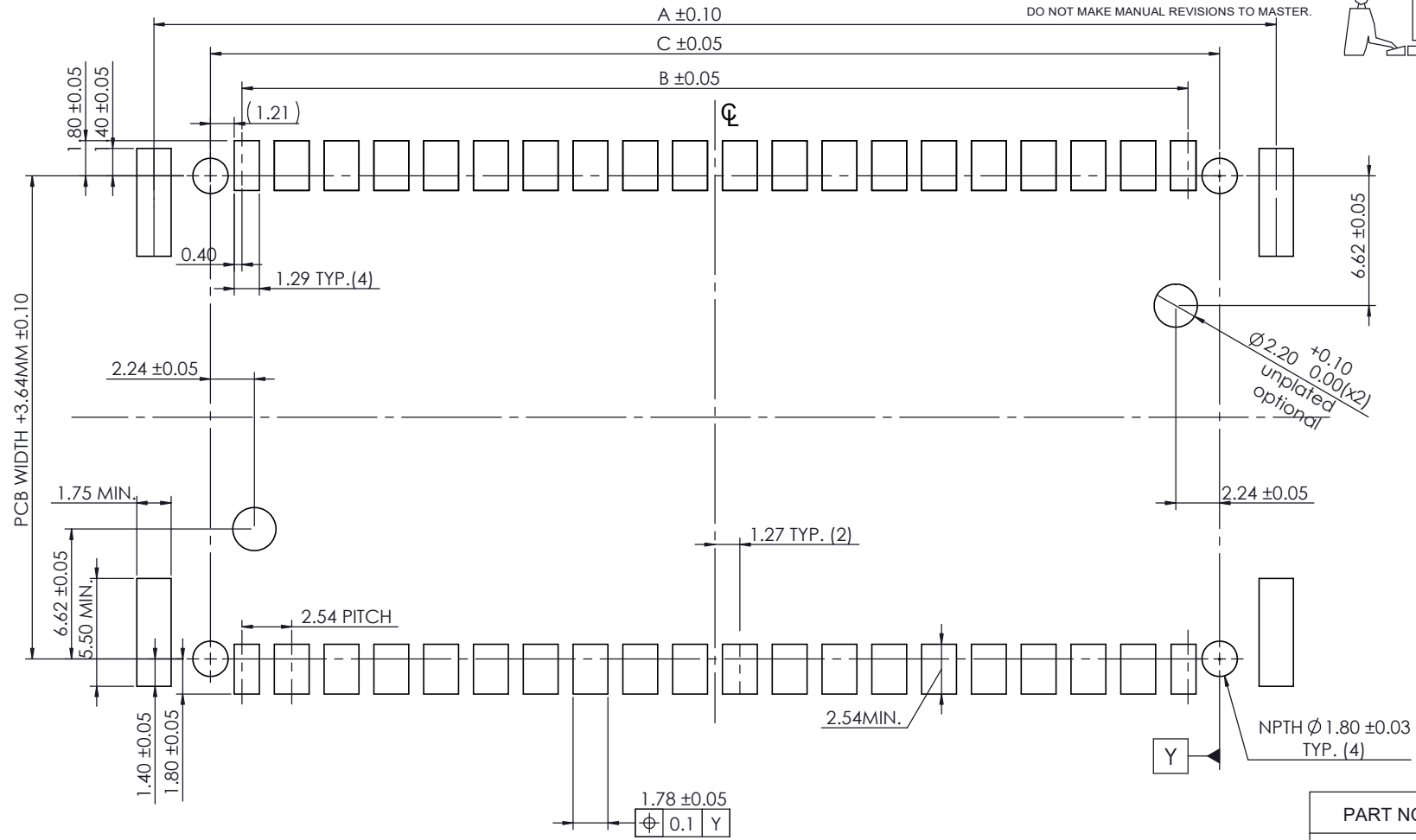


YOUR CONNECTION TO QUALITY & SERVICE

EDAC INC
TORONTO, ONTARIO
CANADA

THESE DRAWINGS AND SPECIFICATIONS
ARE THE PROPERTY OF EDAC INC., AND
SHALL NOT BE REPRODUCED, OR COPIED
OR USED AS THE BASIS FOR THE
MANUFACTURE OR SALE OF APPARATUS
WITHOUT WRITTEN PERMISSION.

THIS IS A C.A.D. GENERATED DRAWING
DO NOT MAKE MANUAL REVISIONS TO MASTER.



RECOMMENDED PCB LAYOUT
RECOMMENDED TOL. ±0.05MM



THIS SERIES FULLY CONFORMS TO THE
EUROPEAN UNION DIRECTIVES 2011/65/EU
RoHS COMPLIANCY.

**SMT TYPE, CARD EDGE CUSTOM CONNECTOR
WITH STABILISER
RECOMMENDED LAYOUT**



EDAC INC
TORONTO, ONTARIO
CANADA

YOUR CONNECTION TO QUALITY & SERVICE

THESE DRAWINGS AND SPECIFICATIONS
ARE THE PROPERTY OF EDAC INC., AND
SHALL NOT BE REPRODUCED, OR COPIED
OR USED AS THE BASIS FOR THE
MANUFACTURE OR SALE OF APPARATUS
WITHOUT WRITTEN PERMISSION.

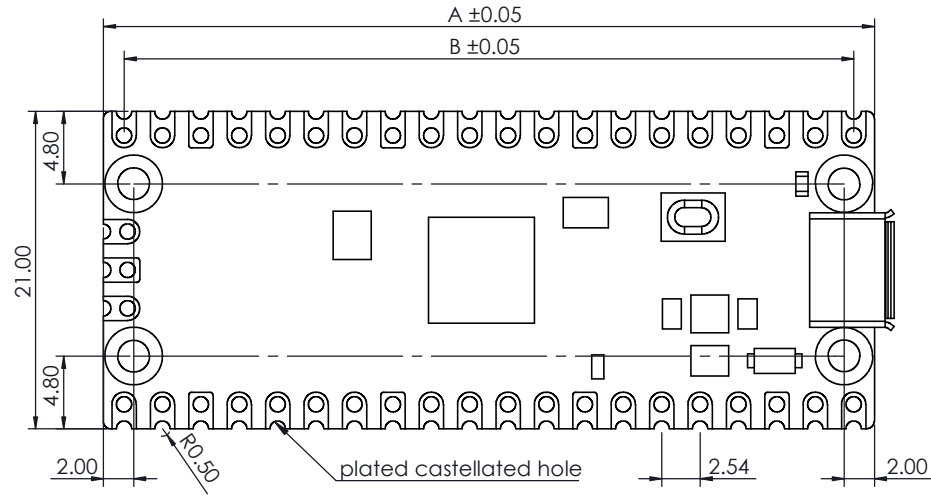
PART NO.	A	B	C
299-006-299-198	21.69	12.70	15.92
299-008-299-198	26.77	17.78	21.00
299-017-299-198	49.63	40.64	43.86
299-020-299-198	57.25	48.26	51.48

DRAWN: E.P. DATE: 10/AUG/2022
CHECKED: R.S.M DATE: 10/AUG/2022


PART NUMBER
299-0XX-299-198 SHEET 2 OF 3

DRAWING NUMBER
299-0XX-299-198 ISSUE
P2

THIS IS A C.A.D. GENERATED DRAWING
DO NOT MAKE MANUAL REVISIONS TO MASTER.



General Table			
PART NO.	A	B	
299-006-299-198	15.44	12.70	
299-008-299-198	20.52	17.78	
299-017-299-198	43.38	40.64	Arduino @Nano
299-020-299-198	51.00	48.26	Raspberry Pi @Pico

SMT TYPE, CARD EDGE CUSTOM CONNECTOR WITH STABILISER RECOMMENDED PCBs		DRAWN: E.P.	DATE: 10/AUG/2022
		CHECKED: R.S.M	DATE: 10/AUG/2022
 EDAC INC TORONTO, ONTARIO CANADA YOUR CONNECTION TO QUALITY & SERVICE		PART NUMBER 299-0XX-299-198	
		DRAWING NUMBER 299-0XX-299-198	



THIS SERIES FULLY CONFORMS TO THE
EUROPEAN UNION DIRECTIVES 2011/65/EU
RoHS COMPLIANCY.

THESE DRAWINGS AND SPECIFICATIONS
ARE THE PROPERTY OF EDAC INC., AND
SHALL NOT BE REPRODUCED, OR COPIED
OR USED AS THE BASIS FOR THE
MANUFACTURE OR SALE OF APPARATUS
WITHOUT WRITTEN PERMISSION.

X-ON Electronics

Largest Supplier of Electrical and Electronic Components

Click to view similar products for [Board to Board & Mezzanine Connectors](#) category:

Click to view products by [EDAC](#) manufacturer:

Other Similar products are found below :

[589158040000018](#) [MDF7C-18P-2.54DSA\(55\)](#) [FCN-268F036-G/BD](#) [FCN-268M012-G/0D](#) [FCN-268M024-G/1D](#) [MIS-048-01-F-D-DP-K](#)
[832-10-034-10-001000](#) [FX4C-80S-1.27DSA](#) [93696-330](#) [224393](#) [FCN-235D050-G/C](#) [210-93-314-41-105000](#) [MDF7-40DP-2.54DSA\(55\)](#)
[55323-1519](#) [069159702701000](#) [101A10019X](#) [105061100000861+](#) [75140-7012](#) [87471-650](#) [YTW-30-07-H-Q-410-140](#) [YTT-112-01-H-Q](#)
[1744382-4](#) [063209](#) [10124054-515LF](#) [68685-603](#) [8-1616154-3](#) [YTE-12002H6740](#) [YTQ-12103HQ](#) [YTQ-11201HQ](#) [541371078](#) [IL-WX-](#)
[10PB-HF-B-E1000E](#) [FX23-40P-0.5SV15B](#) [FCN-214J100-G/0](#) [354184](#) [P50-028-DDS-TG](#) [53309-2471](#) [54546-2071](#) [1586617-1](#) [504248-1210](#)
[504248-2010](#) [1-1437355-2](#) [9159005551906](#) [93696-730LF](#) [91922-31141LF](#) [505274-3440](#) [501493-2410](#) [504208-3410](#) [505006-0811](#) [505274-](#)
[2040](#) [202436-1600](#)