



# 379 SERIES



## Card Edge Connector 0.150" (3.81mm) Pitch



### FEATURES:

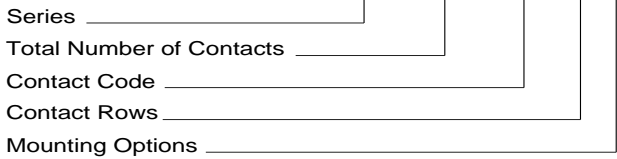
- .150" (3.81mm) Contact Spacing x .200" (5.08mm) Row Spacing
- Accepts .062" (1.57mm) Nominal Thickness P.C. Board
- High Profile Insulator Body, .600" (15.24mm)
- Contact Termination Options include P.C. Tail, Wire Wrap and Extender Board Bends
- Single or Dual Row Configurations
- Variety of Mounting Options
- Accepts In-Contact Polarizing Keys
- RoHS Compliant

### Specifications:

Insulator Material	UL 94V-0 Thermoplastic Polyester, Black Color
Contact Material	Copper Alloy
Contact Plating	Gold Plating on mating area and Tin Plating on tails with Nickel underplating all over
Current Rating	3 Ampere
Contact Resistance	10 milliohms maximum
Dielectric Withstand Voltage	1800 VAC rms at sea level between adjacent contacts
Insulation Resistance	5000 Megaohms minimum
Operating Temperature	-40°C to +105°C
Insertion Force	16oz (4.45N) maximum per contact pair when tested with .070" (1.78mm) thick gauge
Withdrawal Force	1oz (0.28N) minimum per contact pair when tested with .054" (1.37mm) thick gauge

Example Part Number: **379-040-520-208**

Series: 379



Contact Code	Description & Tail Size	Tail Length "G"
520	P.C. Tail .030 x .018 (0.76 x 0.46)	.175 (4.45)
521	P.C. Tail .025 Square (0.64 Square)	.150 (3.81)
523	P.C. Tail .025 Square (0.64 Square)	.390 (9.91)
524	P.C. Tail .018 Square (0.46 Square)	.175 (4.45)
540	Wire Wrap .025 Square (0.64 Square)	.560 (14.22)
541	Wire Wrap .025 Square (0.64 Square)	.750 (19.05)
542	Wire Wrap .025 Square (0.64 Square)	.645 (16.38)
544	Wire Wrap .050 x .025 (1.27 x 0.64)	.750 (19.05)
555	EXTENDER BOARD BEND (CODE 500 CONTACTS)	
556	EXTENDER BOARD BEND (CODE 520 CONTACTS)	
560	EXTENDER BOARD BEND (CODE 523 CONTACTS)	

### Total Number of Contacts:

006, 016, 020, 026 or 32  
012, 032, 040, 052 or 064

### Contact Rows

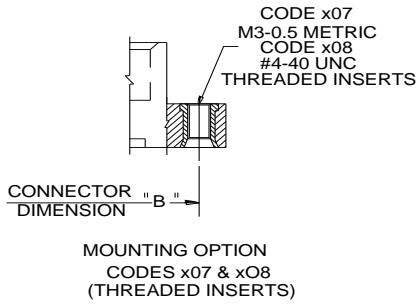
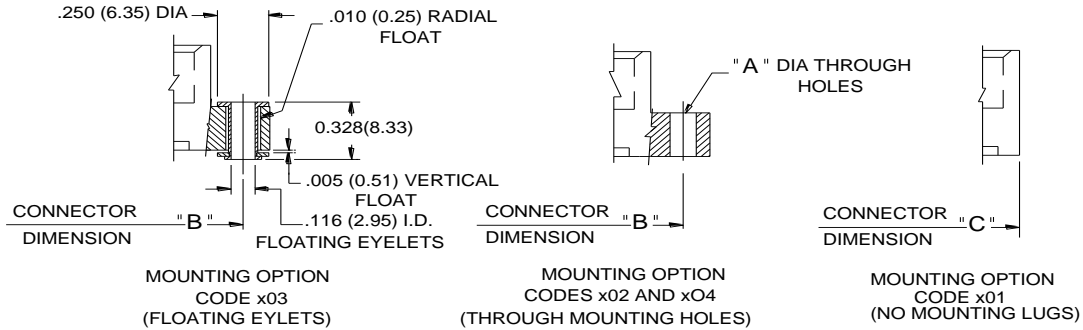
Single Row  
Dual Row

### Mounting Options:

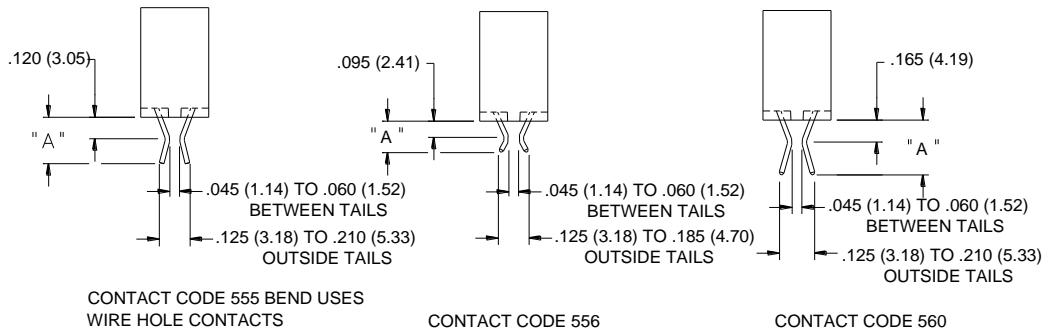
	Description
01	No Mounting Lug
02	Ø.128" (Ø3.25mm) Mounting Holes
03	Ø.116" (Ø2.95mm) I.D. Floating Eyelets
04	Ø.156" (Ø3.96mm) Mounting Holes
07	M3-0.5 Metric Threaded Inserts
08	#4-40 Unified Threaded Inserts

### Ordering Code Notes:

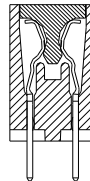
Consult with EDAC regarding 90 degree bend availability.



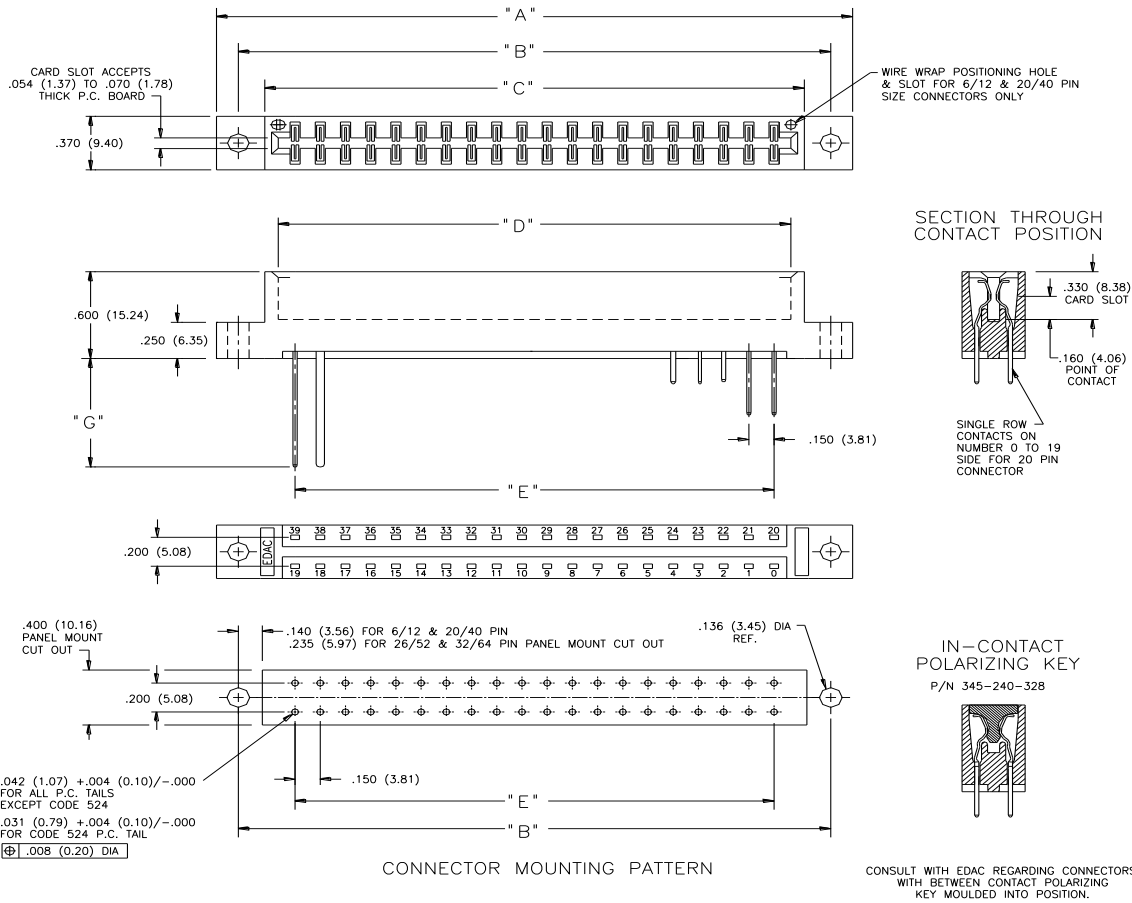
CODE X02 AND X04- THROUGH MTG. HOLES		
	CODE X02	CODE X04
"A" DIA.	0.128(3.25)	0.156(3.96)
CODE X07 AND X08- THREADED INSERTS		
INSERT	CODE X07	CODE X08
	M3-0.5(METRIC)	#4-40 UNC



IN-CONTACT POLARIZING KEY  
P/N 345-240-328



CONTACT CODE	A	B
555	0.245(6.22)	
556	0.170(4.32)	
560	0.375(9.53)	



- SERIES AND MATERIAL CODE SEE NOTE 6
- INSULATOR IDENTITY CODE (213 PPS, BLACK COLOR)
- NUMBER OF CONTACT POSITIONS PER ROW
- OFFSET VARIATION CODE SEE NOTE 3 ON DWG. 345-210-001
- MOUNTING VARIATION CODE SEE NOTE 3 ON DWG. 345-210-001

379-210-032-XXX	32	64	5.675(144.14)	5.410(137.41)	5.100(129.54)	4.940(125.47)	4.650(118.11)
379-210-026-XXX	26	52	4.775(120.78)	4.510(114.55)	4.200(106.68)	4.040(102.62)	3.750(95.25)
379-210-024-XXX	24	48	4.475(113.66)	4.210(106.93)	3.900(99.06)	3.740(95.00)	3.450(87.63)
379-210-020-XXX	20	40	3.875(98.43)	3.610(91.69)	3.300(83.82)	3.140(79.76)	2.850(72.39)
379-210-016-XXX	16	32	3.275(83.18)	3.010(76.45)	2.700(68.58)	2.540(64.52)	2.250(57.15)
379-210-006-XXX	6	12	1.775(45.09)	1.510(38.35)	1.200(30.48)	1.040(26.42)	.750(19.05)
PART NUMBER	SINGLE (# OF CONTACTS)	DUAL (# OF CONTACTS)	A ±.015	B ±.010	C ±.015	D <sup>+.010</sup> <sub>-.006</sub>	E ±.005

## X-ON Electronics

Largest Supplier of Electrical and Electronic Components

*Click to view similar products for [Standard Card Edge Connectors](#) category:*

*Click to view products by [EDAC](#) manufacturer:*

Other Similar products are found below :

[6565204-6](#) [PKC-156](#) [1437274-4](#) [147889-1](#) [1489165-4](#) [EBT156-12B1X](#) [EBT15622B2X](#) [EBT156-22R2W](#) [1-582587-1](#) [1-582589-1](#) [2-6437275-9](#) [284-0102-12100](#) [306022901000000](#) [307-012-502-202](#) [307-024-526-201](#) [307-056-520-300](#) [307-080-526-208](#) [1926088-2](#) [245-062-520-350](#) [287-0032-12101](#) [306-010-500-112](#) [306-028-525-102](#) [306-240-318](#) [307-036-502-202](#) [307-036-521-301](#) [307-072-526-202](#) [345-060-559-303](#) [368-004-520-201](#) [392-008-559-201](#) [534671-1](#) [5-530501-5](#) [341-240-317](#) [345-029-520-300](#) [345-030-500-301](#) [345-044-500-300](#) [345-220-058](#) [346-240-318](#) [357-030-526-201](#) [387-012-523-300](#) [395-044-520-300](#) [395-100-524-300](#) [50-12B-10](#) [50-6SN-5](#) [09-07-2032](#) [10035388-106LF](#) [10035388-802LF](#) [10115859-011LF](#) [10122859-009LF](#) [101269333204245CLF](#) [10127905-B04B24BLF](#)