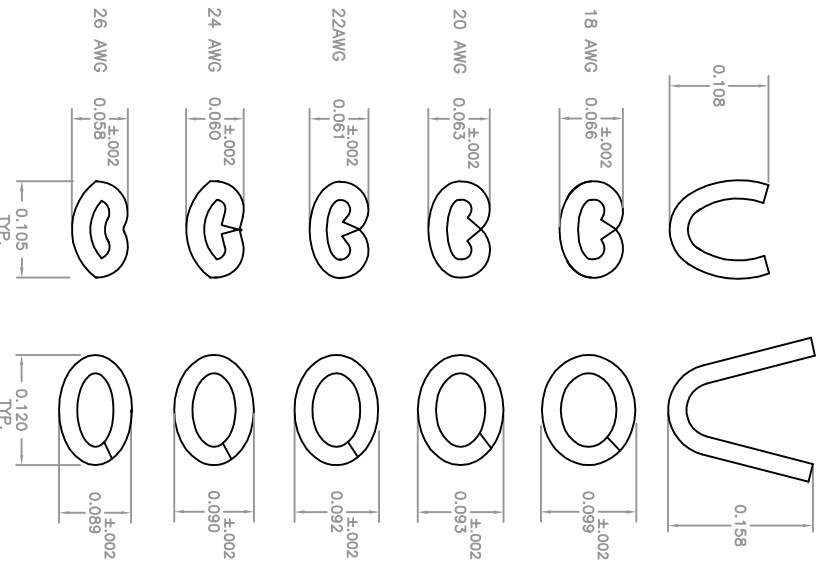
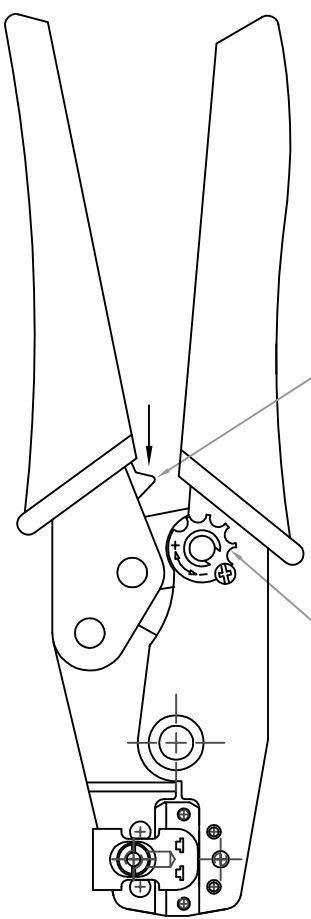


CONDUCTOR CRIMP FORM

INSULATOR CRIMP FORM



TO OPEN PARTIALLY CLOSED TOOL
PUSH THIS LATCH IN THE DIRECTION
OF THE ARROW.

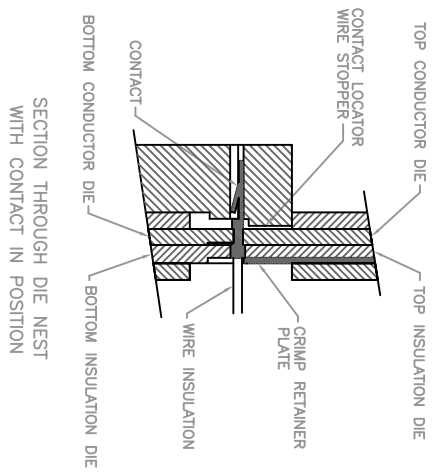


THIS IS A C.A.D. GENERATED DRAWING
DO NOT MAKE MANUAL REVISIONS TO MASTER.



ISSUE NUMBER	1
ORIGINAL	2
CONDUCTOR & INSULATOR CRIMP FORMS ILLUSTRATION REMOVED. INSTRUCTIONS IN NOTE 4, TABLE DATA REVISED.	3
UPDATED TABLE DATA	4
UPDATED SHEET 2	5
K.L.I	6
AUG. 27,2020	7

WIRE AWG	CRIMP STRENGTH
18 AWG	40.0 LBS
20 AWG	25.0 LBS
22 AWG	15.0 LBS
24 AWG	10.0 LBS
26 AWG	5.0 LBS
28 AWG	3.0 LBS



NOTES:

- 1- THIS HAND TOOL IS DESIGNED FOR CRIMPING 18 TO 28 AWG WIRES TO EDAC CONTACT P/N 516-290-590.
- 2- RISK OF ELECTRIC SHOCK- DO NOT USE THIS ON LIVE WIRE.
- 3- CRIMPING INSTRUCTIONS:
 - OPEN THE TOOL, PLACE THE CONTACT INTO THE CORRECT DIE NEST.
 - PARTIALLY CLOSE THE TOOL UNTIL THE CONTACT IS HELD IN PLACE. INSERT THE WIRE INTO THE CONTACT.
 - CLOSE THE TOOL UNTIL THE RATCHET RELEASES. REMOVE THE CRIMPED CONTACT.
- 4- ADJUSTMENT OF CRIMP FORCE (WHEN NECESSARY):
 - LOOSEN THE SCREW
 - ADJUST THE STAR-WHEEL BY TURNING FROM (-) TO(+).
 - CHECK THE PRELOAD AND THE CRIMP FORCE.

TOOL PART NUMBER: 516-280-201

516 SERIES HAND CRIMP TOOL INSTRUCTIONS

ACAD REFERENCE NO. 51628211	
DRAWN: F.BRIONES	DATE: DEC.8/97
CHECKED:	DATE:
SCALE: N.T.S.	SHEET 1 OF 2
DRAWING NUMBER	ISSUE
516-280-201	3

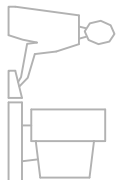
EDAC INC
TORONTO, ONTARIO
CANADA

EDAC INC
TORONTO, ONTARIO
CANADA

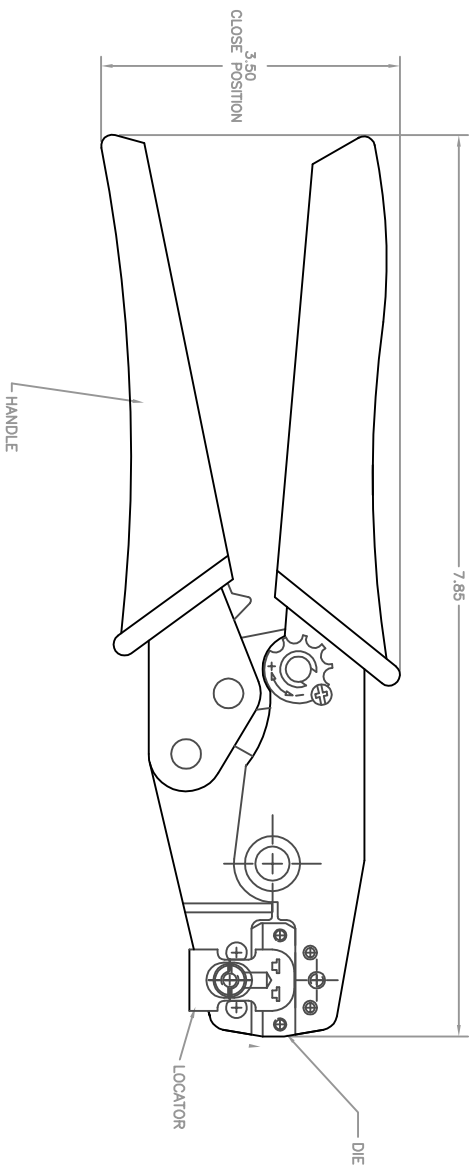
YOUR CONNECTION TO QUALITY & SERVICE

THESE DRAWINGS AND SPECIFICATIONS ARE THE PROPERTY OF EDAC INC. AND SHALL NOT BE REPRODUCED, OR COPIED OR USED AS THE BASIS FOR THE MANUFACTURE OR SALE OF APPARATUS WITHOUT WRITTEN PERMISSION.

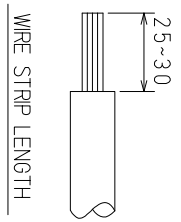
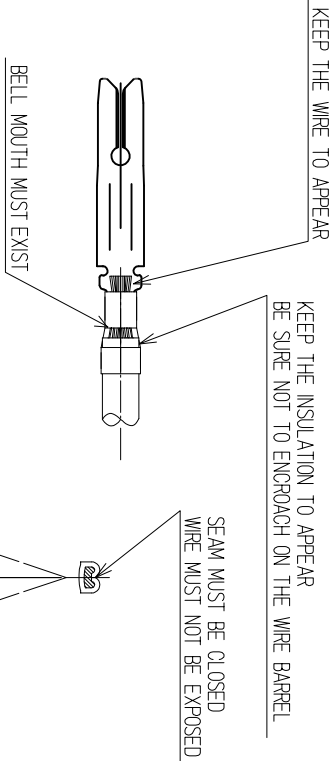
THIS IS A C.A.D. GENERATED DRAWING
DO NOT MAKE MANUAL REVISIONS TO MASTER.



ISSUE NUMBER	①
ORIGINAL	
CONDUCTOR & INSULATOR	②
CRIMP FORMS ILLUSTRATION	REMOVED.
INSTRUCTIONS IN NOTE 4,	TABLE DATA REVISED,
F. JAWDI	FEB. 19,2002
UPDATED TABLE DATA	③
UPDATED SHEET 2	
KLI	AUG. 27,2020



TOOL ASM	LOCATOR
516-280-201	516-280-206



516 SERIES HAND CRIMP TOOL INSTRUCTIONS

ACAD REFERENCE NO. 51628211	
DRAWN: F.BRIONES	DATE: DEC.8/97
CHECKED:	DATE:
SCALE: N.T.S.	SHEET 2 OF 2
DRAWING NUMBER	ISSUE
516-280-201	3

EDAC INC
TORONTO, ONTARIO
CANADA

THESE DRAWINGS AND SPECIFICATIONS ARE THE PROPERTY OF EDAC INC. AND SHALL NOT BE REPRODUCED, OR COPIED OR USED AS THE BASIS FOR THE MANUFACTURE OR SALE OF APPARATUS WITHOUT WRITTEN PERMISSION.

YOUR CONNECTION TO QUALITY & SERVICE

X-ON Electronics

Largest Supplier of Electrical and Electronic Components

Click to view similar products for [Crimpers / Crimping Tools](#) category:

Click to view products by [EDAC](#) manufacturer:

Other Similar products are found below :

[010-0096](#) [M225201-06](#) [M225202-37](#) [6-1579015-5](#) [CT150-2-D02](#) [M322](#) [6-304052-1](#) [63456-0054](#) [63484-3701](#) [63800-8355](#) [63819-1875](#)
[63819-2875](#) [63819-4475](#) [63823-3475](#) [63827-5375](#) [64001-0975](#) [64001-4175](#) [64005-0175](#) [662903-2](#) [690602-6](#) [7-1579001-9](#) [7-23471-1](#)
[762637-1](#) [808714-1](#) [811242-5](#) [999-50-020083](#) [1-21002-3](#) [1-21002-7](#) [12085270](#) [1-21002-6](#) [1-21113-6](#) [1-22548-4](#) [125442-1](#)
[DCE.91.073.BVC](#) [DCE.91.090.3MVM](#) [DCE.91.130.5MVU](#) [1338300-1](#) [1-354003-0](#) [1338301-1](#) [DF62/RE-MD](#) [142321](#) [AP105-DF11-](#)
[2428S\(64\)](#) [1456088-1](#) [1490794-1](#) [1-45804-6](#) [1490357-2](#) [1490357-3](#) [AX100749](#) [1-59619-7](#) [1596970-1](#)