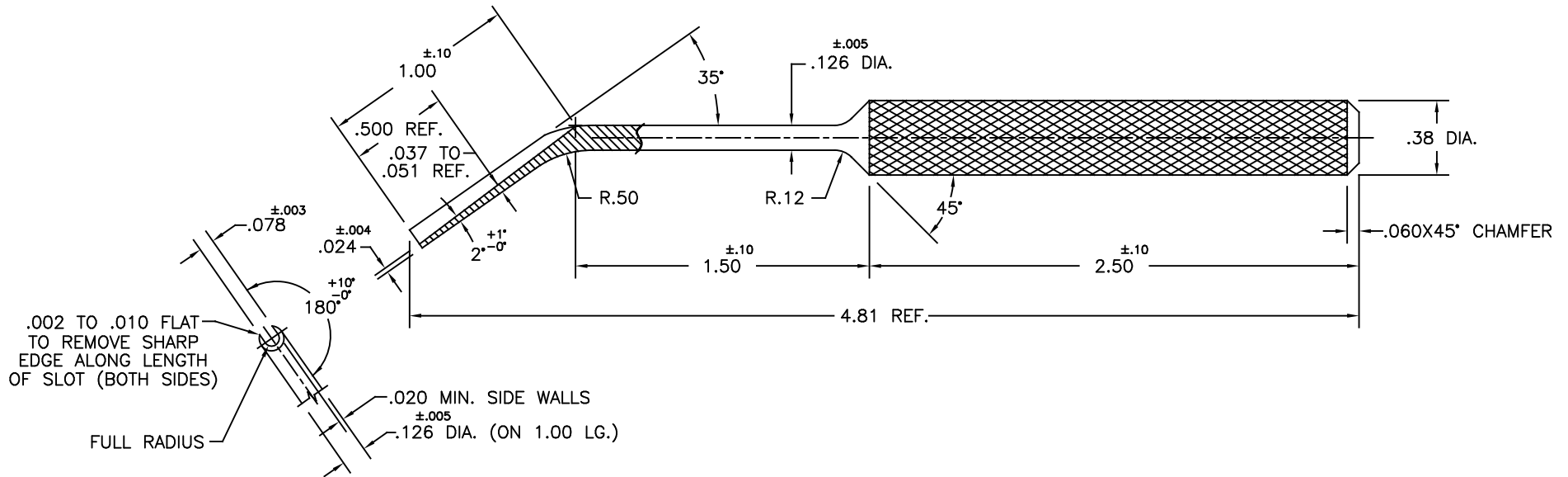


THIS IS A C.A.D. GENERATED DRAWING  
DO NOT MAKE MANUAL REVISIONS TO MASTER.




\* UNLESS OTHERWISE SPECIFIED TOLERANCES  
ON DECIMAL IS:  
FRACTION ± 1/32 4 PLACE ±.0001  
2 PLACE ±.02 5 PLACE ±.000050  
3 PLACE ±.005 6 PLACE ±.000020

ISSUE NUMBER	
ORIGINAL	①
RE-DRAWN F.BRIONES FEB. 19/07	
	⑩



- 1- MATERIAL: LEDLOY STEEL C12L14
- 2- AFTER MACHINING, CASE HARDEN .002 TO .005 TOTAL CASE DEPTH, FILE HARD.
- 3- FINISH: BLACK OXIDE
- 4- PART TO BE FREE OF BURRS
- 5- VENDOR SUPPLYING THIS PART FOR THE FIRST TIME SHALL OBTAIN FIRST ARTICLE APPROVAL FROM EDAC AFTER ALL MACHINING OPERATIONS (BEFORE CASE HARDENING AND FINISH APPLIED)

EDAC PART NUMBER 516-280-400

516 SERIES CRIMP CONTACT INSERTION TOOL		ACAD REFERENCE NO. 51628040	
		DRAWN: F.BRIONES	DATE: FEB. 19/07
 EDAC INC TORONTO, ONTARIO CANADA YOUR CONNECTION TO QUALITY & SERVICE		CHECKED:	
		DATE:	
THESE DRAWINGS AND SPECIFICATIONS ARE THE PROPERTY OF EDAC INC., AND SHALL NOT BE REPRODUCED, OR COPIED OR USED AS THE BASIS FOR THE MANUFACTURE OR SALE OF APPARATUS WITHOUT WRITTEN PERMISSION.		SCALE: (IN C.A.D. 1:1) SHEET 1 OF 1	
		DRAWING NUMBER 516-280-400	

## X-ON Electronics

Largest Supplier of Electrical and Electronic Components

*Click to view similar products for [Extraction, Removal & Insertion Tools](#) category:*

*Click to view products by [EDAC](#) manufacturer:*

Other Similar products are found below :

[M8196914-08](#) [768211-2](#) [809-131](#) [844751-2](#) [8-59558-2](#) [91018-1](#) [12014013](#) [12093647](#) [1-21048-0](#) [R282867020](#) [12093078](#) [12180559](#) [1-21048-6](#) [12121897](#) [DCF.91.405.5LT](#) [1322](#) [13549852](#) [15314260](#) [15313892](#) [15350698](#) [15350707](#) [15430130](#) [1643916-1](#) [1-679532-0](#) [1976593-3](#) [OUTEXT-0321](#) [2-1579008-3](#) [2-1579008-4](#) [229694-7](#) [231106-1](#) [241469](#) [91040-3](#) [91040-7](#) [965004-000](#) [965069-000](#) [1738219-1](#) [ET-JL05-16](#) [FG 0300 146 3000](#) [FIT-6](#) [210S048](#) [2-1579007-9](#) [231879-1](#) [CF-008025-000](#) [312138-3](#) [RJ11FODE](#) [356-162](#) [M8196914-10](#) [4-1579018-0](#) [483249-1](#) [5-1579007-2](#)