

### Features:

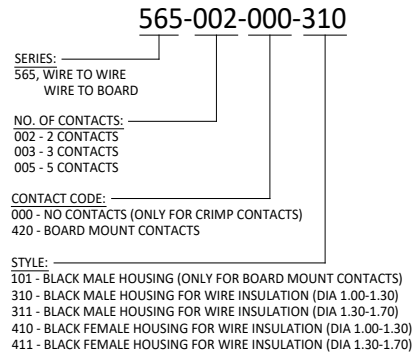
- 2.5mm pitch, rated current: 3A max
- Fully waterproof solution
- Available in wire to wire and wire to board options
- Seals preassembled into housing; no external sealing required
- Available in 2, 3, or 5 positions
- True crimp and poke solution
- Waterproofing cap available to cover unused positions
- Internal polarization to prevent mismatching
- Available with wire already installed
- Waterproof Grade: IP67 Certified



### Specifications:

No. of Positions	2, 3, 5
Pitch	2.5 mm
Rated Voltage	250 V
Rated Current	3 amps maximum
Dielectric Withstanding Voltage	1000 V AC (rms)
Contact Resistance	15 milliohms maximum
Insulation Resistance	1000 megaohms minimum/DC 500 V
Operating Temperature	-40°C to +105°C
PCB Thickness	1.6 mm

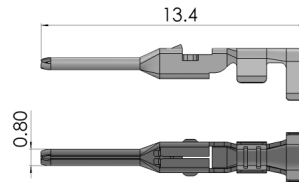
### Ordering Code:



### Crimp Contact:

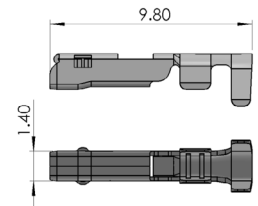
Male Contact (Pin)			
Part No	AWG#	Ins. Dia.	Pcs/Reel
565-290-731	20-22	Max. Ø1.7	8,000
565-290-711	22-28	Max. Ø1.6	8,000

\*\*Crimp Contacts are also available in strips of 60pcs. Contact EDAC for more information.



Female Contact (Socket)			
Part No	AWG#	Ins. Dia.	Pcs/Reel
565-290-741	20-22	Max. Ø1.7	8,000
565-290-721	22-28	Max. Ø1.6	10,000

\*\*Wire seals, housing seals and retainers are pre-assembled in the connector.

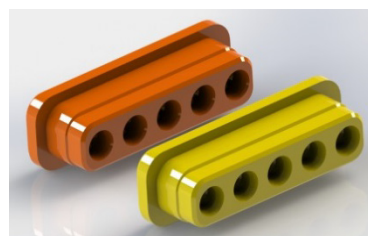


### Materials:

Crimp & Poke	Housing	PBT, UL 94V-0
	Contact	Phosphor Bronze
PCB Header	Housing	PBT with Glass, UL 94V-0
	Contact	Brass
Contact Plating		Tin Plating
Wire & Housing Seals		Silicone Rubber
Waterproofing Cap		PBT, UL 94V-0

### Rear Gasket (Wire Seal):

Applicable Contact:	Wire O.D.:	Color:
565-290-711 565-290-721	Ø1.00 to Ø1.30"	Yellow
565-290-731 565-290-741	Ø1.30 to Ø1.70"	Orange



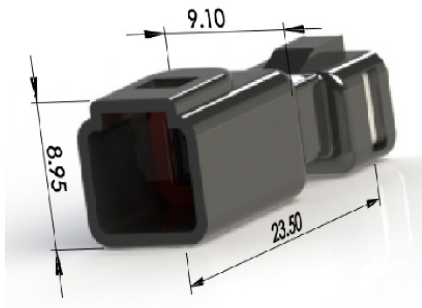
### Waterproofing Cap:

Part No.:
565-200-100

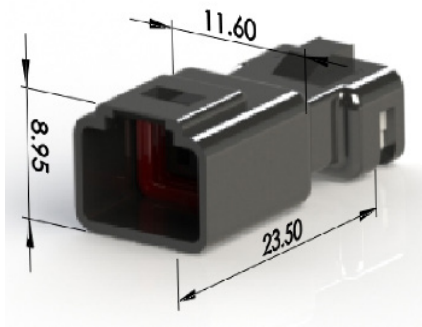


## Male Housing:

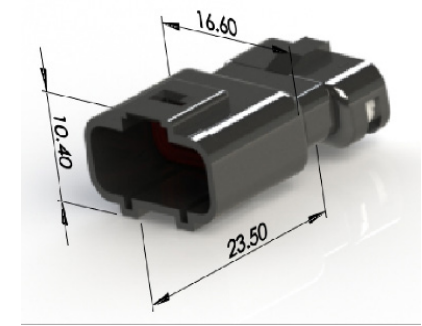
565-002-000-XXX



565-003-000-XXX

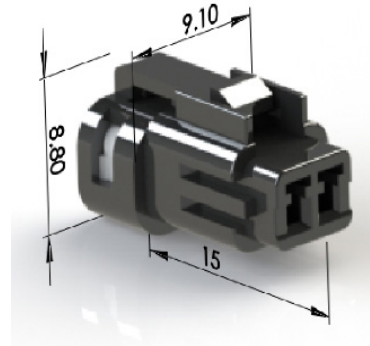


565-005-000-XXX

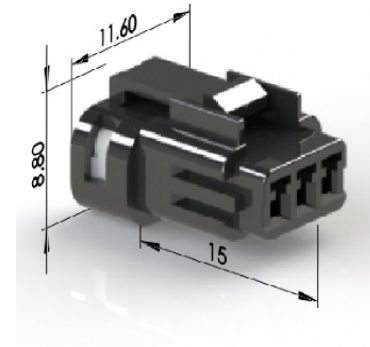


## Female Housing:

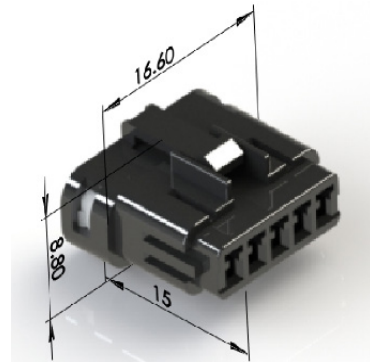
565-002-000-XXX



565-003-000-XXX

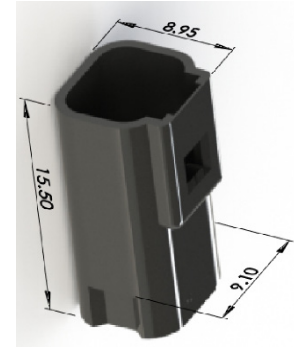


565-005-000-XXX

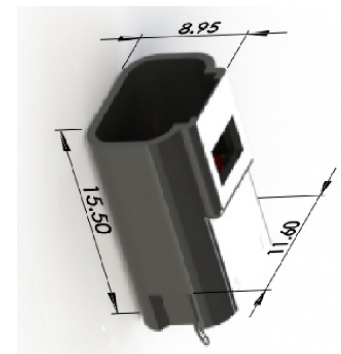


## PCB Header:

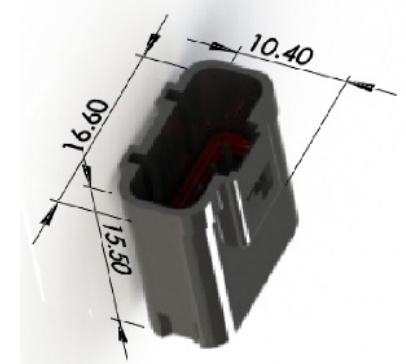
565-002-420-XXX



565-003-420-XXX



565-005-420-XXX



## Male Housing:

Ø Wire Insulation:	Housing Color:	XXX:
Ø1.00 to Ø1.30"	Black	310
Ø1.30 to Ø1.70"	Black	311

## Female Housing:

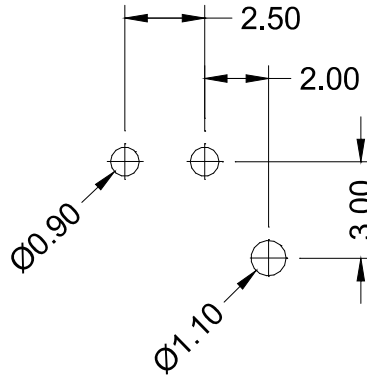
Ø Wire Insulation:	Housing Color:	XXX:
Ø1.00 to Ø1.30"	Black	410
Ø1.30 to Ø1.70"	Black	411

## PCB Header:

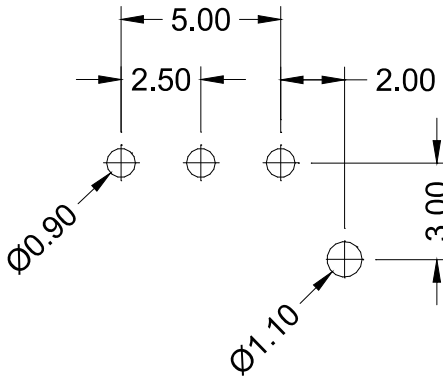
Housing Color	XXX
Black	101

## Recommended PCB Layout

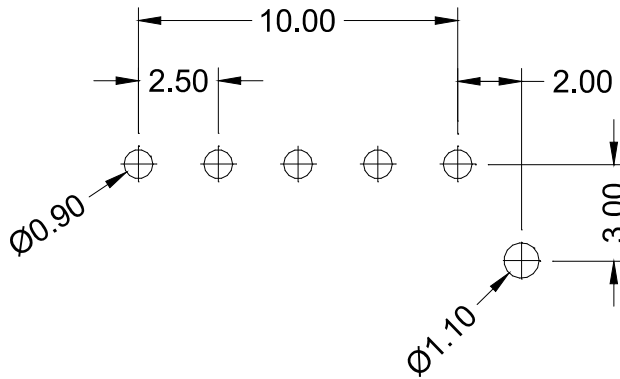
560 SERIES - 2P



560 SERIES - 3P



560 SERIES - 5P



## X-ON Electronics

Largest Supplier of Electrical and Electronic Components

*Click to view similar products for [Pin & Socket Connectors](#) category:*

*Click to view products by [EDAC](#) manufacturer:*

Other Similar products are found below :

[6450822-1](#) [770392-1](#) [794042-1](#) [796885-1](#) [8-794535-1](#) [PLR3455ACS-222](#) [R929991004](#) [R929993003](#) [1403611-1](#) [1-480349-5](#) [152302-5](#)  
[153211-2](#) [1586092-1](#) [1586129-1](#) [1586681-4](#) [1586700-1](#) [1586368-1](#) [1586380-1](#) [1586616-1](#) [1586680-5](#) [16-06-0038](#) [164164-5](#) [1-6609930-1](#)  
[172296-1](#) [19-09-2035](#) [200503-1](#) [200788-2](#) [2029090-4](#) [2029095-4](#) [925061-7](#) [293734-4](#) [293737-2](#) [1-765362-4](#) [1871534-1](#) [200833-4](#)  
[2008625-2](#) [2029027-2](#) [2029096-4](#) [R929991000](#) [R929991002](#) [R929993000](#) [319-10-101-00-005000](#) [319-10-102-00-001000](#) [319-10-104-00-001000](#) [319-10-105-00-001000](#) [319-10-108-00-001000](#) [319-10-112-00-006000](#) [39-01-8019](#) [319-10-101-00-001000](#) [319-10-102-00-005000](#)