

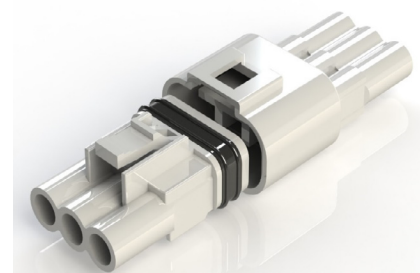
570 SERIES



WATERPROOF WIRE TO WIRE & WIRE TO BOARD CONNECTORS

Features:

- 5.8mm pitch, rated current: 10A max
- Fully waterproof solution
- Available in wire to wire and wire to board options
- Available in 1, 2, or 3 positions
- True crimp and poke solution
- Internal polarization to prevent mismatching
- Available with wire already installed
- Wide range of wire sizes available
- Waterproof Grade: IP67 Certified



Specifications:

No. of Positions	1, 2, 3
Pitch	5.8mm
Rated Voltage	300 V
Rated Current	10 amps maximum
Dielectric Withstanding Voltage	1700 V AC (rms)
Contact Resistance	10 milliohms maximum
Insulation Resistance	1000 megaohms minimum/DC 500 V
Operating Temperature	-40°C to +105°C
PCB Thickness	1.6 mm

Ordering Code:

570-002-000-100

SERIES:
570, WIRE TO WIRE
WIRE TO BOARD

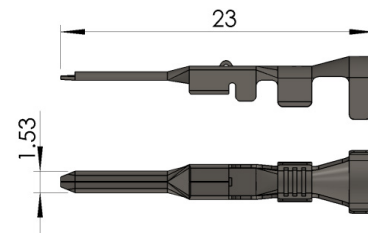
NO. OF CONTACTS:
001 - 1 CONTACT
002 - 2 CONTACTS
003 - 3 CONTACTS

CONTACT CODE:
000 - NO CONTACTS (ONLY FOR CRIMP CONTACTS)
420 - BOARD MOUNT CONTACTS

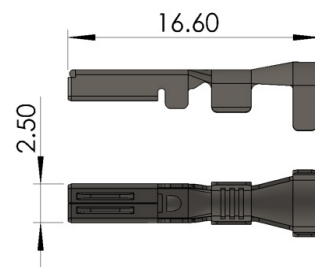
STYLE:
101 - WHITE MALE HOUSING (ONLY FOR BOARD MOUNT CONTACTS)
100 - WHITE MALE HOUSING FOR CRIMP CONTACTS
200 - WHITE FEMALE HOUSING FOR CRIMP CONTACTS

Crimp Contact:

Male Contact (Pin)			
Part No (Material)	AWG#	Ins. Dia.	Pcs/Reel
570-290-751 (Brass)	14	Max. Ø3.1	4,000
570-291-731 (Ph. Brz.)	20-16	Max. Ø3.1	4,000
570-290-731 (Brass)	20-16	Max. Ø3.1	4,000
570-290-711 (Brass)	22-20	Max. Ø2.7	4,000



Female Contact (Socket)			
Part No (Material)	AWG#	Ins. Dia.	Pcs/Reel
570-290-761 (Brass)	14	Max. Ø3.1	4,000
570-291-741 (Ph. Brz.)	20-16	Max. Ø3.1	4,000
570-290-741 (Brass)	20-16	Max. Ø3.1	4,000
570-291-721 (Ph. Brz.)	22-20	Max. Ø2.7	4,000
570-290-721 (Brass)	22-20	Max. Ø2.7	4,000



Materials:

Crimp & Poke	Housing	PBT, UL 94V-0
	Contact	Ph. Brz. or Brass
PCB Header	Housing	PBT with Glass, UL 94V-0
	Contact	Brass
Contact Plating		Tin Plating
Wire & Housing Seals		Silicone Rubber

**Crimp Contacts are also available in strips of 40pcs. Contact EDAC for more information.

**Housing seals are pre-assembled in the connector. Wire seals must be crimped with wire and contact prior to assembly in to housing.

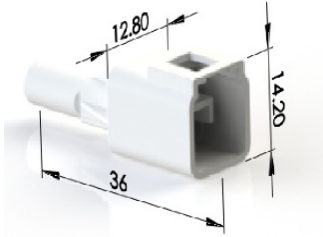
Wire Seal:

Part No.	Wire O.D.	Color	AWG#	Ø Dia.	Height
570-260-001	Ø1.7~Ø2.1	Black	22	Ø 5.0	6.0
570-260-002	Ø2.1~Ø2.7	Light Blue	22-20	Ø 5.0	6.0
570-260-003	Ø2.1~Ø2.7	Blue	22-20	Ø 5.0	6.7
570-260-004	Ø2.7~Ø3.1	Brown	20-14	Ø 4.9	5.0

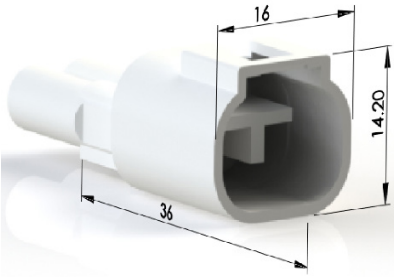


Male Housing:

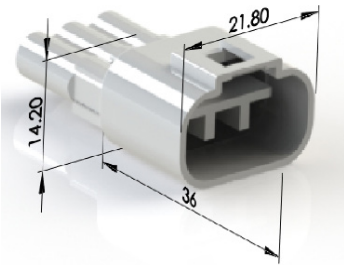
570-001-000-100



570-002-000-100

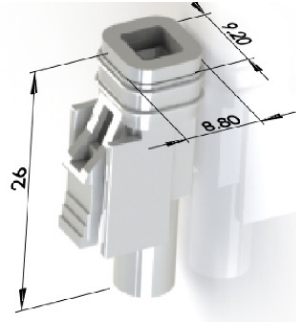


570-003-000-100

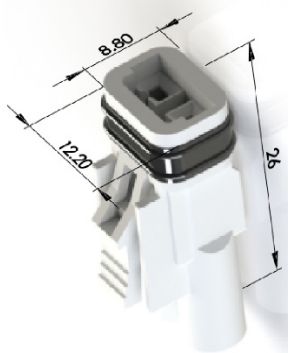


Female Housing:

570-001-000-200



570-002-000-200

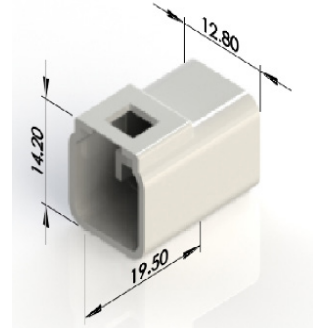


570-003-000-200

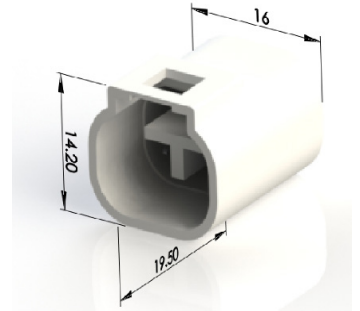


PCB Header

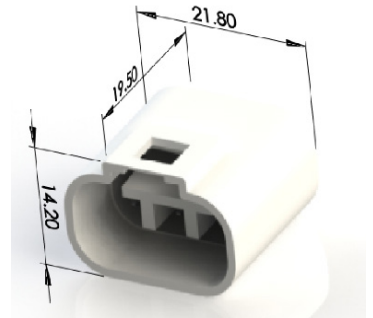
570-001-420-101



570-002-420-101

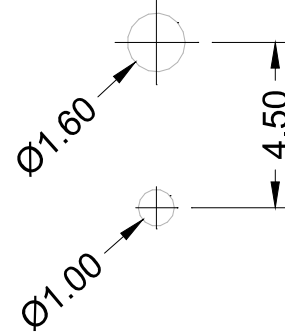


570-003-420-101

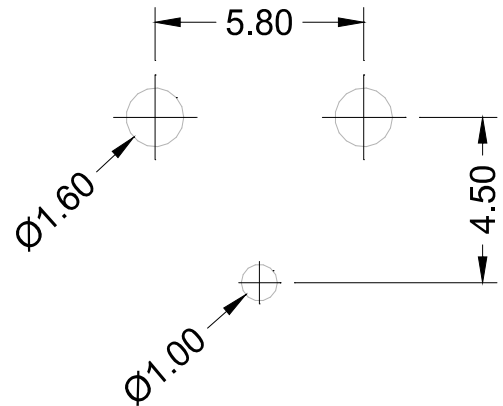


Recommended PCB Layout

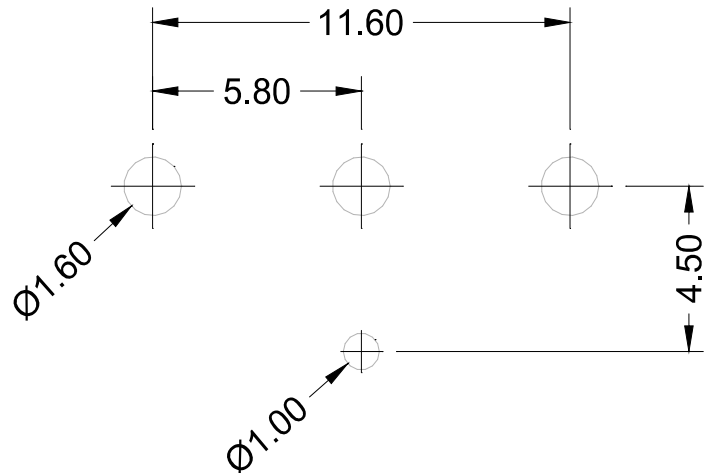
572 SERIES - 1P



572 SERIES - 2P



572 SERIES - 3P



X-ON Electronics

Largest Supplier of Electrical and Electronic Components

Click to view similar products for [Pin & Socket Connectors](#) category:

Click to view products by [EDAC](#) manufacturer:

Other Similar products are found below :

[6450822-1](#) [770392-1](#) [794042-1](#) [796885-1](#) [8-794535-1](#) [PLR3455ACS-222](#) [R929991004](#) [R929993003](#) [1403611-1](#) [1-480349-5](#) [152302-5](#)
[153211-2](#) [1586092-1](#) [1586129-1](#) [1586681-4](#) [1586700-1](#) [1586368-1](#) [1586380-1](#) [1586616-1](#) [1586680-5](#) [16-06-0038](#) [164164-5](#) [1-6609930-1](#)
[172296-1](#) [19-09-2035](#) [200503-1](#) [200788-2](#) [2029090-4](#) [2029095-4](#) [925061-7](#) [293734-4](#) [293737-2](#) [1-765362-4](#) [1871534-1](#) [200833-4](#)
[2008625-2](#) [2029027-2](#) [2029096-4](#) [R929991000](#) [R929991002](#) [R929993000](#) [319-10-101-00-005000](#) [319-10-102-00-001000](#) [319-10-104-00-001000](#) [319-10-105-00-001000](#) [319-10-108-00-001000](#) [319-10-112-00-006000](#) [39-01-8019](#) [319-10-101-00-001000](#) [319-10-102-00-005000](#)