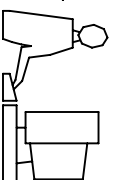
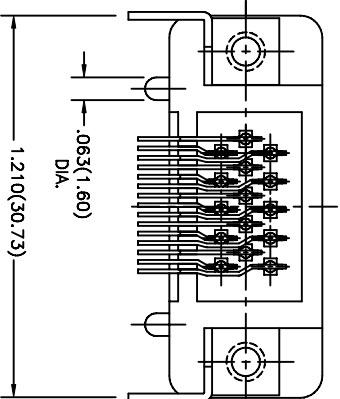
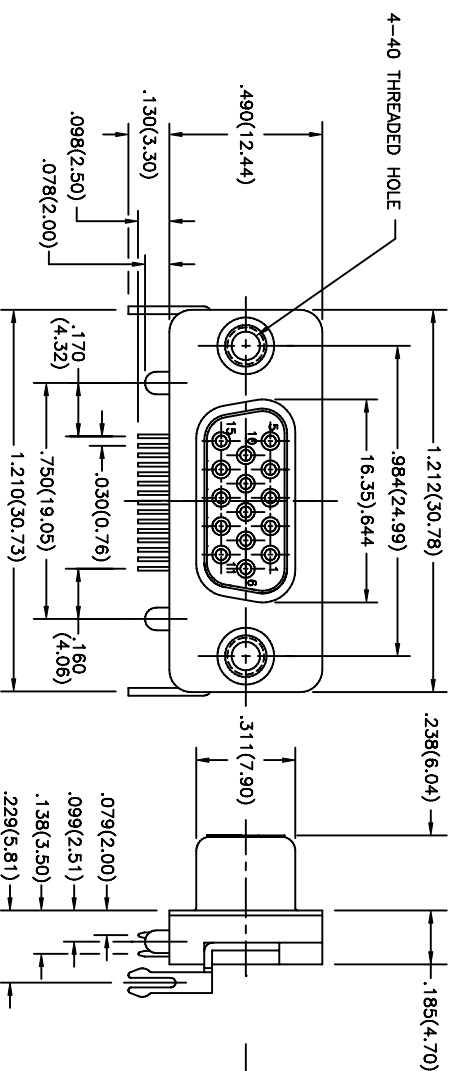


THIS IS A C.A.D. GENERATED DRAWING
DO NOT MAKE MANUAL REVISIONS TO MASTER.



ALLOW TO HAVE EXTRAS CAVITIES
ON THIS SURFACE FOR SHRINKING
PURPOSE AS PER MOLDER REQUEST



ISSUE NUMBER	
ORIGINAL	(1)
ROHS STATEMENT ADDED. R.BLAKEY NOV 30/05	(2)
PROCESSING TEMP. ADDED F.BRIONES DEC.12/05	(3)
DIA. OF ALIGNMENT PINS .063(1.60) AND HOLES ON PCB LAYOUT .071(1.80) WAS .073(1.85) AND .076(1.93) F.BRIONES FEB.14/06	(4)
DIM.1.240(31.49) WAS 1.210(30.73) F.BRIONES APR.19/06	(5)
DIM.1.210(30.73) ON B/LOCKS WAS 1.240(31.49) F.BRIONES NOV.23/06	(6)

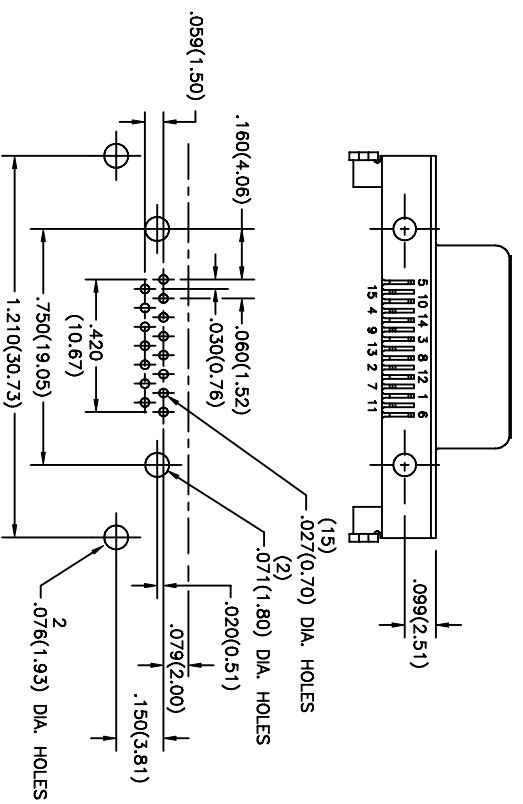
MATERIALS AND FINISH

- 1: STEEL, NICKEL PLATED
- 2: INSULATOR, NYLON 6T, COLOR PANTONE BLUE #2935U
- 3: CONTACTS: PHOSPHOR BRONZE, GOLD PLATED ON CONTACT AREA
TIN ON TAILS OVER NICKEL
- 4: BOARD LOCKS, BRASS TIN PLATED
- 5: RIVETS, BRASS NICKEL PLATED

SPECIFICATIONS

CURRENT RATING: 1 AMP MAX.
INSULATION RESISTANCE: 1000 MEGOHMS MIN. AT 500 VDC
DWD: 500 VAC rms FOR 1 MINUTE
CONTACT RESISTANCE: 30 MILLOHMS MAX.
TEMPERATURE RATING: -40°C +230°C
PROCESSING TEMPERATURE: +265°C FOR 10 SEC.

CONTACT POSITION 9th RECESSED



634 SERIES HDD SUBMINIATURE CONNECTOR
15 CONTACTS RECEPTACLE(SOCKET) RIGHT ANGLE ULTRA SLIM

EDAC INC
TORONTO, ONTARIO
CANADA
YOUR CONNECTION TO QUALITY & SERVICE

THESE DRAWINGS AND SPECIFICATIONS
ARE THE PROPERTY OF EDAC INC. AND
SHALL NOT BE REPRODUCED, OR COPIED
OR USED AS THE BASIS FOR THE
MANUFACTURE OR SALE OF APPARATUS
WITHOUT WRITTEN PERMISSION.

DRAWN: F.BRIONES	DATE: JUNE 20/05
CHECKED:	DATE:
PART NUMBER 634-015-274-990	
DRAWING NUMBER 634-015-274-990	ISSUE 6



THIS SERIES FULLY CONFORMS TO THE
EUROPEAN UNION DIRECTIVES 2002/95/EC
AND 2002/96/EC FOR ROHS COMPLIANCY.

X-ON Electronics

Largest Supplier of Electrical and Electronic Components

Click to view similar products for [D-Sub High Density Connectors](#) category:

Click to view products by [EDAC](#) manufacturer:

Other Similar products are found below :

[97-3250-11](#) [163A16809X](#) [163A17089X](#) [164A17199X](#) [K86X-AD-26S](#) [242A25680X](#) [L717HDB44POL2R210](#) [L717HDEH15POL2](#)
[L777HDE15P](#) [L77HDE15SC309](#) [163A16759X](#) [163A16839X](#) [163A16989X](#) [163A17079X](#) [164A17329X](#) [164A18219X](#) [241A16440X](#)
[241A16550X](#) [241A16680X](#) [241A20810X](#) [241A25740X](#) [CT25-44P](#) [MDBE15PE766](#) [L177HDE15SOL2RM23](#) [L177HRC62S](#)
[L177HRC62SVFM](#) [L177HRCG62S](#) [L717HDEG15POL2RM5](#) [L77HDA26SVF](#) [L77HDE15SD1CO](#) [L77HDEH15SOL2RM832](#) [DAMA-15S-](#)
[WS](#) [443895-3](#) [106698-1](#) [280-012K2C](#) [L177HRB44S](#) [164A17039X](#) [09562004701510](#) [241A17960X](#) [164A18269X](#) [280-019S1S9MEN](#)
[L777HDEG15P](#) [280-018P3S25MEGN](#) [206504-2](#) [2057140-1](#) [C115370-6002](#) [DFMA104SNMBFR172FR022](#) [HDC9F200E2S](#)
[L717HDAG26POL2RM8](#) [241A28180X](#)