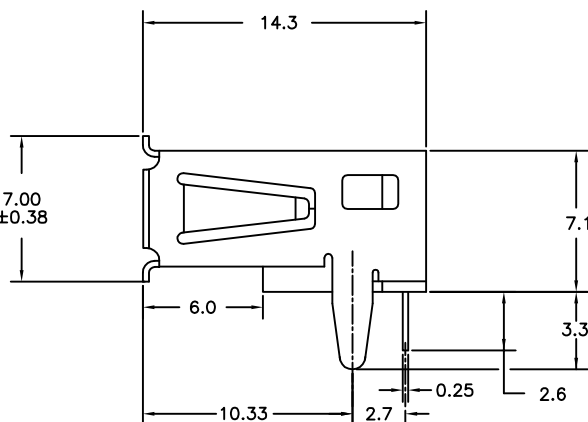
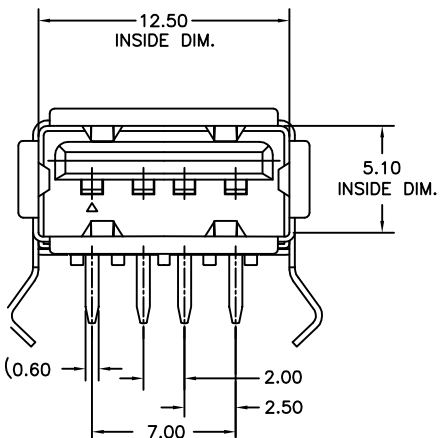


SPECIFICATIONS:

RECOMMENDED PCB THICKNESS: 1.20
 MATING FORCE: 35N MAX
 UNMATING FORCE: 10N MIN
 PRODUCT SPECIFICATIONS REFER TO
 690-004-X21-013 SPECS
 TEST SUMMARY: REFER TO 690-004-X21-013 SPECS
 PACKAGING: TRAY



THIS IS A C.A.D. GENERATED DRAWING
 DO NOT MAKE MANUAL REVISIONS TO MASTER.



PART NUMBER: 690-004-221-013

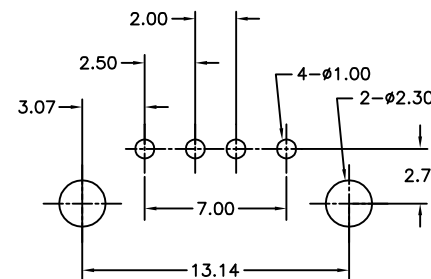
CONTACT CODE _____

MATERIALS:

SHELL: COPPER ALLOY, NICKEL PLATED
 CONTACTS: C15191 COPPER ALLOY GOLD PLATING ON
 CONTACT AREA AND BRIGHT TIN PLATING (120u" MAX) ON
 TAIL END ALL OVER NICKEL UNDER PLATING (50u" MAX)
 GOLD PLATING CONTACT CODE
 GOLD FLASH 221 CONTACT CODE
 15 MICROINCHES OF GOLD 321 CONTACT CODE
 30 MICROINCHES OF GOLD 621 CONTACT CODE
 INSULATOR: THERMOPLASTIC, UL 94V-0

ISSUE NUMBER

PCB LAYOUT ADDED F.BRIONES JAN. 06/07	(4)
.037(0.95) HOLES WAS .027(.095) F.BRIONES MAY 029/09	(5)
NEW SHELL CLOSED FLANGE R.STA.MONICA SEPT.21/2011	(6)
UPDATE MATERIALS & SPECS R.STA.MONICA JAN.18/2016	(7)
ADD PACKAGING SPECS R.STA.MONICA FEB.04/2016	(8)
DRAWING UPDATED N.SONDH FEB.26/2016	(9)




PC BOARD MOUNTING DIMENSIONS
TOP VIEW
 TOLERANCE: ±0.05mm
 PCB THICKNESS: 1.2±0.05mm

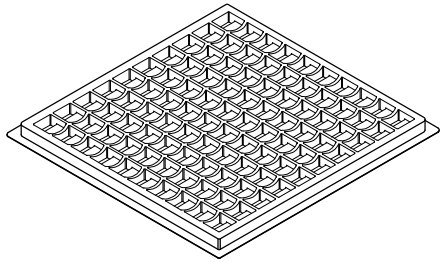
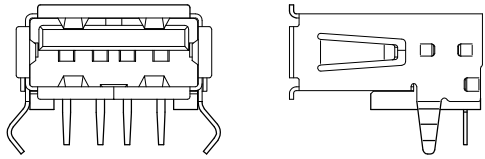


THIS SERIES FULLY CONFORMS TO THE
 EUROPEAN UNION DIRECTIVES
 2011/65/EU FOR RoHS COMPLIANCY.

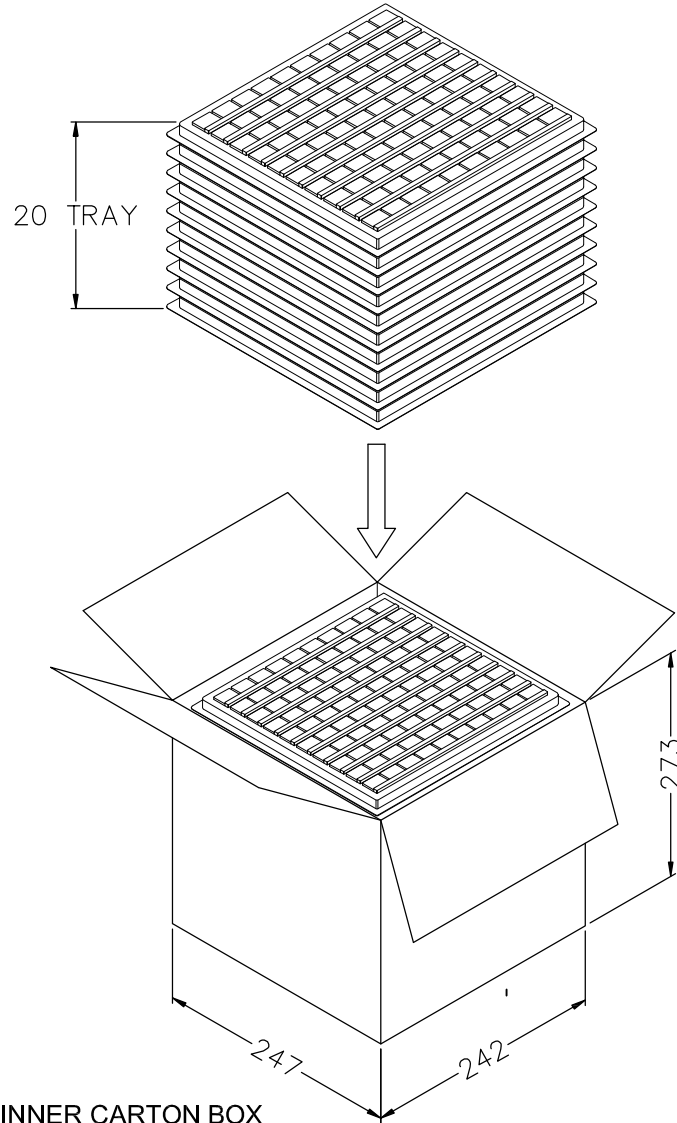
DIMENSIONS IN MM

USB CONNECTOR A TYPE, RIGHT ANGLE, SINGLE DECK	ACAD REFERENCE NO. 690-004-221-013	
	DRAWN: F.BRIONES	DATE: FEB.16/98
 EDAC INC TORONTO, ONTARIO CANADA YOUR CONNECTION TO QUALITY & SERVICE	CHECKED:	DATE:
	SCALE: (IN C.A.D. 1:1)	SHEET 1 OF 2
	DRAWING NUMBER 690-004-221-013	ISSUE 9

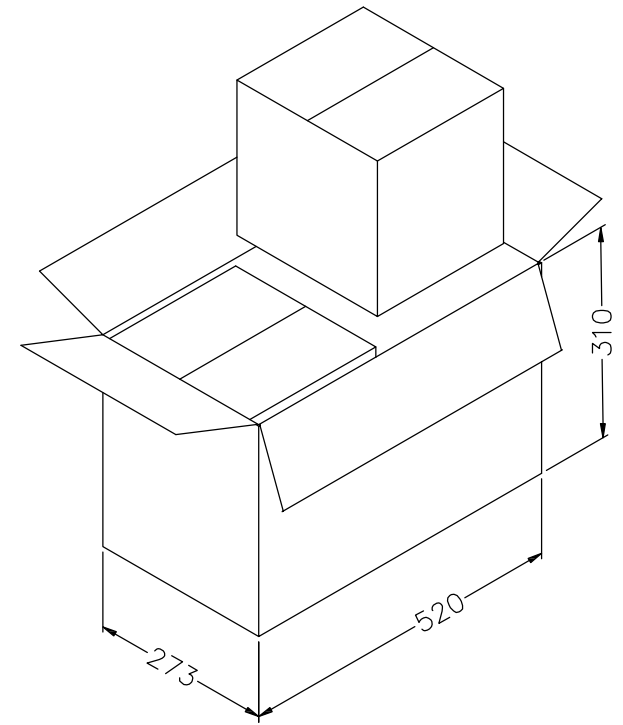
THESE DRAWINGS AND SPECIFICATIONS
 ARE THE PROPERTY OF EDAC INC., AND
 SHALL NOT BE REPRODUCED, OR COPIED
 OR USED AS THE BASIS FOR THE
 MANUFACTURE OR SALE OF APPARATUS
 WITHOUT WRITTEN PERMISSION.



PVC TRAY
QTY: 100PCS PER TRAY



INNER CARTON BOX
20 PVC TRAYS PER CARTON
QTY: 20 X 100 = 2000PCS
DIMENSION IN MM



OUTER CARTON BOX
2 INNER CARTON BOXES PER CARTON
QTY: 2 X 2000 = 4000PCS
DIMENSION IN MM



THIS SERIES FULLY CONFORMS TO THE
EUROPEAN UNION DIRECTIVES
2011/65/EU FOR RoHS COMPLIANCY.

USB CONNECTOR A TYPE, RIGHT ANGLE, SINGLE DECK
PACKAGING SPECIFICATIONS

ACAD REFERENCE NO. 690-004-221-013

DRAWN: F.BRIONES DATE: FEB.16/98

CHECKED: DATE:

SCALE: (IN C.A.D. 1:1) SHEET 2 OF 2

DRAWING NUMBER ISSUE

690-004-221-013 9

EDAC EDAC INC
TORONTO, ONTARIO
CANADA
YOUR CONNECTION TO QUALITY & SERVICE

THESE DRAWINGS AND SPECIFICATIONS
ARE THE PROPERTY OF EDAC INC., AND
SHALL NOT BE REPRODUCED, OR COPIED
OR USED AS THE BASIS FOR THE
MANUFACTURE OR SALE OF APPARATUS
WITHOUT WRITTEN PERMISSION.

X-ON Electronics

Largest Supplier of Electrical and Electronic Components

Click to view similar products for [USB Connectors](#) category:

Click to view products by [EDAC](#) manufacturer:

Other Similar products are found below :

[65-647-8-BK-BU](#) [950](#) [E8144-B01021-L](#) [A-USB A-LP-SMT-C](#) [A-USB B-TOP-C](#) [MUSBA511N5](#) [MUSBD11135](#) [217450-1](#) [CA 6 W LD](#)
[KMBVX-TH-5S-B30](#) [896-30-004-00-000000](#) [KUSBVX-BS1N-W30](#) [KUSBX-AP-KIT-SCBLK](#) [KUSBX-AS2N-W](#) [KUSBX-SMT2AP1S-W](#)
[KUSBX-SMT2AP1S-W30](#) [935](#) [957](#) [30-498-6](#) [1734082-1](#) [30-1574](#) [30-470](#) [30-489](#) [30-541](#) [30-572-3](#) [MAB 8 SN V](#) [A-USB A-2P-C](#)
[MIKROE-1451](#) [USBFTV2PEM2G](#) [USBFTVC6ZN](#) [KUSBX-AS2N-W30](#) [KUSBX-SLAS1N-W](#) [KUSBX-SMT-AS1N-W30](#) [4689-1](#) [1-](#)
[1734084-2](#) [E8110-001-01](#) [MUSBA81130](#) [33UBARS1-04SW11](#) [33UBAR-04SW11](#) [USBF21ZNSCC](#) [USBBFTV6ZC](#) [10135326-001LF](#)
[M9177/3-1](#) [925](#) [4198](#) [690-024-633-031](#) [KUSBEX-BSFS1N-W](#) [USBFTVC6MRG](#) [UA-20BMFA-SL8001](#) [17-200011](#)