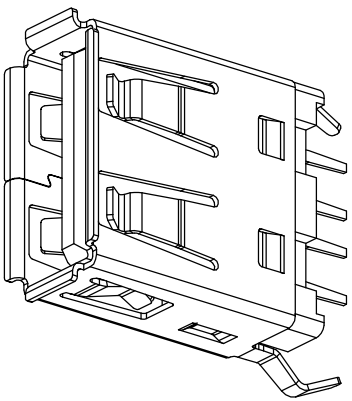
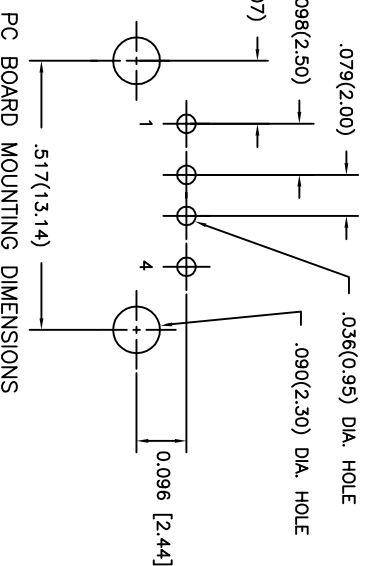


GENERAL TOLERANCES: ±0.10(0.25) EXCEPT ON PCB LAYOUT AND CONTACTS SPACING ±.006(0.15)



THIS SERIES FULLY CONFORMS TO THE EUROPEAN UNION DIRECTIVES 2011/65/EU FOR ROHS COMPLIANCY.

ISSUE NUMBER
RE-DWG. APR.22/08 ⑤
F.BRIONES
RE-DWG. SEP.14/08 ⑥
F.BRIONES
REMOVE 15u" GOLD RSTA.MONICA JUN.29/10 ⑦
RSTA.MONICA
TAILS DIM'S ADDED F.BRIONES JUN.22/11 ⑧
F.BRIONES
TOLERANCES ADDED F.BRIONES JUN.29/11 ⑨
F.BRIONES
ADD NOTES FORCES RSTA.MONICA JUN.26/14 ⑩
RSTA.MONICA
NEW METAL SHELL RSTA.MONICA SEPT.12/14 ⑪
RSTA.MONICA
ADD ELEC. SPECS RSTA.MONICA APR.11/2016 ⑫
RSTA.MONICA
NEW TOOLING RSTA.MONICA OCT.30/2016 ⑬
RSTA.MONICA

ELECTRICAL:
 RATED CURRENT: 1.5A
 RATED VOLTAGE: 30V (rms) MAX
FORCES:
 MATING FORCE: 35N MAX
 UNMATING FORCE: 10N MIN
MATERIALS:
 SHELL: COPPER ALLOY, NICKEL PLATED
 CONTACTS: COPPER ALLOY GOLD PLATE ON CONTACT AREA
 TIN ON TAIL END
 GOLD FLASH
 30 MICRONS OF GOLD
 260 CONTACT CODE
 660 CONTACT CODE
 INSULATOR: THERMOPLASTIC (HIGH TEMPERATURE RESISTANCE)
 PART NUMBER: 690-004-260-013

CONTACT CODE _____

USB CONNECTOR A TYPE, VERTICAL, SINGLE DECK

EDAC INC
 TORONTO, ONTARIO
 CANADA
 THESE DRAWINGS AND SPECIFICATIONS ARE THE PROPERTY OF EDAC INC AND SHALL NOT BE REPRODUCED OR COPIED OR USED AS THE BASIS FOR THE MANUFACTURE OR SALE OF APPARATUS WITHOUT WRITTEN PERMISSION.

ACAD REFERENCE NO. 690-004-260-013	DATE: OCT 16/98
DRAWN: J.CHOW	DATE:
CHECKED:	SHEET 1 OF 1
SCALE: (IN C.A.D. 1:1)	ISSUE 13
DRAWING NUMBER 690-004-260-013	

EDAC INC TORONTO, ONTARIO CANADA YOUR CONNECTION TO QUALITY & SERVICE

X-ON Electronics

Largest Supplier of Electrical and Electronic Components

Click to view similar products for [USB Connectors](#) category:

Click to view products by [EDAC](#) manufacturer:

Other Similar products are found below :

[65-647-8-BK-BU](#) [950](#) [E8144-B01021-L](#) [A-USB A-LP-SMT-C](#) [A-USB B-TOP-C](#) [MUSBA511N5](#) [MUSBD11135](#) [217450-1](#) [CA 6 W LD](#)
[KMBVX-TH-5S-B30](#) [896-30-004-00-000000](#) [KUSBVX-BS1N-W30](#) [KUSBX-AP-KIT-SCBLK](#) [KUSBX-AS2N-W](#) [KUSBX-SMT2AP1S-W](#)
[KUSBX-SMT2AP1S-W30](#) [935](#) [957](#) [30-498-6](#) [1734082-1](#) [30-1574](#) [30-470](#) [30-489](#) [30-541](#) [30-572-3](#) [MAB 8 SN V](#) [A-USB A-2P-C](#)
[MIKROE-1451](#) [USBFTV2PEM2G](#) [USBFTVC6ZN](#) [KUSBX-AS2N-W30](#) [KUSBX-SLAS1N-W](#) [KUSBX-SMT-AS1N-W30](#) [4689-1](#) [1-](#)
[1734084-2](#) [E8110-001-01](#) [MUSBA81130](#) [33UBARS1-04SW11](#) [33UBAR-04SW11](#) [USBF21ZNSCC](#) [USBBFTV6ZC](#) [10135326-001LF](#)
[M9177/3-1](#) [925](#) [4198](#) [690-024-633-031](#) [KUSBEX-BSFS1N-W](#) [USBFTVC6MRG](#) [UA-20BMFA-SL8001](#) [17-200011](#)