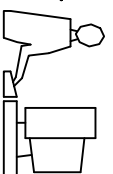


THIS IS A C.A.D. GENERATED DRAWING
DO NOT MAKE MANUAL REVISIONS TO MASTER.

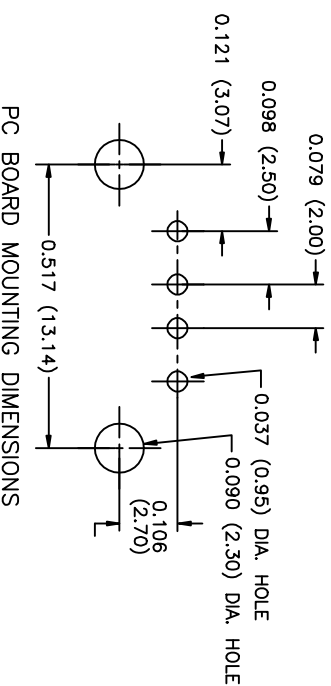
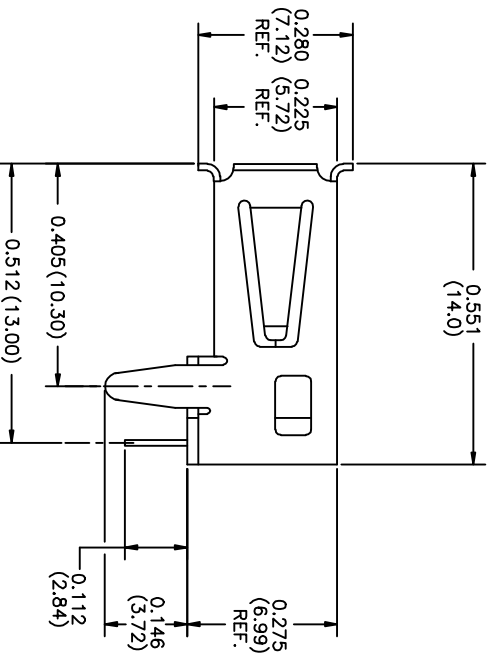
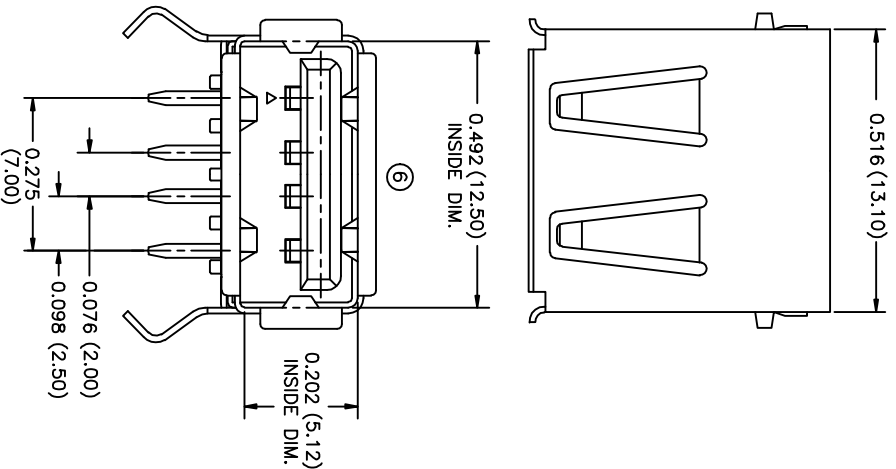


PART NUMBER: 690-004-221-013
CONTACT CODE _____

MATERIALS:

SHELL: COPPER ALLOY, NICKEL PLATED
CONTACTS: COPPER ALLOY GOLD PLATE ON CONTACT AREA
TIN ON TAIL END
GOLD FLASH
15 MICRONS OF GOLD
30 MICRONS OF GOLD
INSULATOR: THERMOPLASTIC (HIGH TEMPERATURE RESISTANCE)

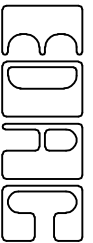
ISSUE NUMBER
TIN PLATING WAS TIN-LEAD, REF TO ROHS ADDED. (3)
R.BLAKEY FEB.14/06 (3)
PCB LAYOUT ADDED (4)
F.BRIONES JAN. 06/07 (4)
.037(0.95) HOLES WAS .027(0.695) F.BRIONES MAY 029/09 (5)
NEW SHELL CLOSED FLANGE (6)
RSTAMONICA SEPT.21/2011 (6)



**THIS SERIES FULLY CONFORMS TO THE
EUROPEAN UNION DIRECTIVES 2002/95/EC
AND 2002/96/EC FOR ROHS COMPLIANCY.**

USB CONNECTOR A TYPE, RIGHT ANGLE, SINGLE DECK

ACAD REFERENCE NO. 690-004-221-013	
DRAWN: F.BRIONES	DATE: FEB.16/98
CHECKED:	DATE:
SCALE: (IN C.A.D. 1:1)	SHEET 1 OF 1
DRAWING NUMBER 690-004-221-013	ISSUE 6



EDAC INC
TORONTO, ONTARIO
CANADA
YOUR CONNECTION TO QUALITY & SERVICE

THESE DRAWINGS AND SPECIFICATIONS
ARE THE PROPERTY OF EDAC INC. AND
SHALL NOT BE REPRODUCED, OR COPIED
OR USED AS THE BASIS FOR THE
MANUFACTURE OR SALE OF APPARATUS
WITHOUT WRITTEN PERMISSION.

X-ON Electronics

Largest Supplier of Electrical and Electronic Components

Click to view similar products for [USB Connectors](#) category:

Click to view products by [EDAC](#) manufacturer:

Other Similar products are found below :

[65-647-8-BK-BU](#) [950](#) [E8144-B01021-L](#) [A-USB A-LP-SMT-C](#) [A-USB B-TOP-C](#) [MUSBA511N5](#) [MUSBD11135](#) [217450-1](#) [CA 6 W LD](#)
[KMBVX-TH-5S-B30](#) [896-30-004-00-000000](#) [KUSBVX-BS1N-W30](#) [KUSBX-AP-KIT-SCBLK](#) [KUSBX-AS2N-W](#) [KUSBX-SMT2AP1S-W](#)
[KUSBX-SMT2AP1S-W30](#) [935](#) [957](#) [30-498-6](#) [1734082-1](#) [30-1574](#) [30-470](#) [30-489](#) [30-541](#) [30-572-3](#) [MAB 8 SN V](#) [A-USB A-2P-C](#)
[MIKROE-1451](#) [USBFTV2PEM2G](#) [USBFTVC6ZN](#) [KUSBX-AS2N-W30](#) [KUSBX-SLAS1N-W](#) [KUSBX-SMT-AS1N-W30](#) [4689-1](#) [1-](#)
[1734084-2](#) [E8110-001-01](#) [33UBARS1-04SW11](#) [33UBAR-04SW11](#) [USBF21ZNSCC](#) [USBBFTV6ZC](#) [10135326-001LF](#) [M9177/3-1](#) [925](#)
[4198](#) [690-024-633-031](#) [KUSBEX-BSFS1N-W](#) [USBFTVC6MRG](#) [UA-20BMFA-SL8001](#) [17-200011](#) [17-250101](#)