

Universal Serial Bus (USB) Connectors



ORDERING GUIDE

690 - 004 - 2 20 - 0 1 3

Series ———
 Total # Contacts ———
 Contact Plating Code ———
 Contact Code ———
 Edac Internal ———
 Series Indicator ———
 Grounding Feature ———

FEATURES

- Compatible with Windows 98, NT, 2000 +
- 1.2Mbps communication speed
- Industry standard plug and play technology
- Complies with USB std 1.0
- Supports up to 127 devices
- Up to 5 meters per cable segment
- Single 4 position and dual stacked 8 position available
- Additional shielded versions available with mating face clips and fully enclosed housing for dual port
- Hot pluggable
- Compatible with asynchronous and isochronous data transfer methods
- Board locks for exceptional retention for PCB mounting
- Consolidates current serial, parallel, keyboard, mouse and game ports as well as digital cameras, ISDN & PBX

SPECIFICATIONS

- Insulator material: UL94V-0 thermoplastic glass reinforced 30%
- Contact material: phosphor bronze
- Contact plating: gold over nickel on mating area, tin-lead on tails
- Shell: Brass with tin plating
- Contact resistance: 25 Milliohms maximum
- Dielectric withstanding voltage: 750V AC
- Insulation resistance: 1000 Megohms minimum
- Operating temperature: -55 to +85 degrees C
- Mating force 3.5 kgs max, unmating force 1.0 kg min

Series

690	socket
691	cable plug

Total Contacts

004	single port
008	dual port

Contact Plating Code

2	gold flash
3	15u" gold
6	30u" gold

Contact Code

20	right angle thru hole 9.9mm footprint
21	right angle thru hole 10.28mm footprint
90	series A crimp connector
92	series B crimp connector
93	complete overmoulded cable series A to B

Edac Internal Use

0	indicates generic internal use code
---	-------------------------------------

Series Indicator

1	series A
2	series B
3	cable assembly

Grounding Feature

0	none (cable assembly & crimp)
3	boardlocks



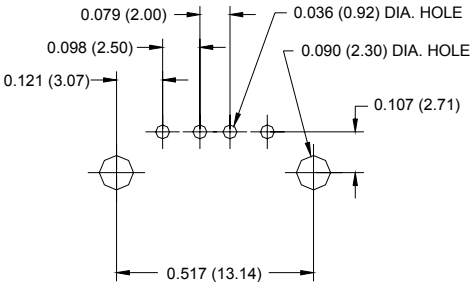
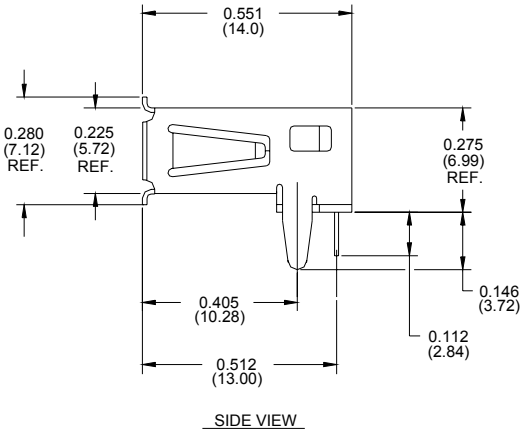
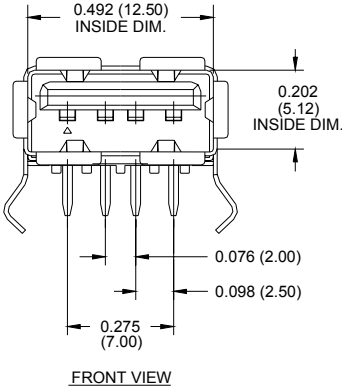
FOR MORE INFORMATION VISIT www.edac.net OR EMAIL edac@edac.net

Phone: 416-754-3322

Fax: 416-754-3299

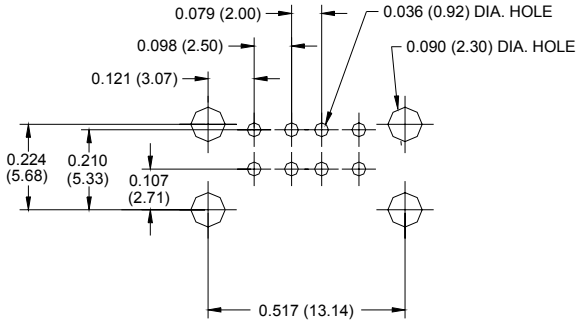
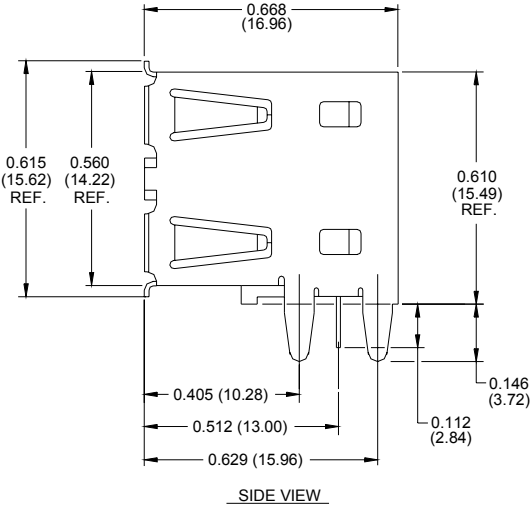
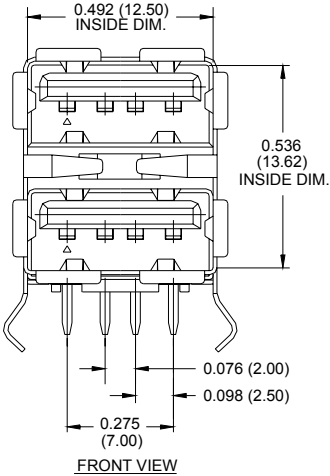
Connector Layout

SINGLE PORT



RECOMMENDED PC BOARD LAYOUT

DUAL PORT



RECOMMENDED PC BOARD LAYOUT

X-ON Electronics

Largest Supplier of Electrical and Electronic Components

Click to view similar products for [USB Connectors](#) category:

Click to view products by [EDAC](#) manufacturer:

Other Similar products are found below :

[65-647-8-BK-BU](#) [950](#) [E8144-B01021-L](#) [A-USB A-LP-SMT-C](#) [A-USB B-TOP-C](#) [MUSBA511N5](#) [MUSBD11135](#) [217450-1](#) [CA 6 W LD](#)
[KMBVX-TH-5S-B30](#) [896-30-004-00-000000](#) [KUSBVX-BS1N-W30](#) [KUSBX-AP-KIT-SCBLK](#) [KUSBX-AS2N-W](#) [KUSBX-SMT2AP1S-W](#)
[KUSBX-SMT2AP1S-W30](#) [935](#) [957](#) [30-498-6](#) [1734082-1](#) [30-1574](#) [30-470](#) [30-489](#) [30-541](#) [30-572-3](#) [MAB 8 SN V](#) [A-USB A-2P-C](#)
[MIKROE-1451](#) [USBFTV2PEM2G](#) [USBFTVC6ZN](#) [KUSBX-AS2N-W30](#) [KUSBX-SLAS1N-W](#) [KUSBX-SMT-AS1N-W30](#) [4689-1](#) [1-](#)
[1734084-2](#) [E8110-001-01](#) [33UBARS1-04SW11](#) [33UBAR-04SW11](#) [USBF21ZNSCC](#) [USBBFTV6ZC](#) [10135326-001LF](#) [M9177/3-1](#) [925](#)
[4198](#) [690-024-633-031](#) [KUSBEX-BSFS1N-W](#) [USBFTVC6MRG](#) [UA-20BMFA-SL8001](#) [17-200011](#) [17-250101](#)