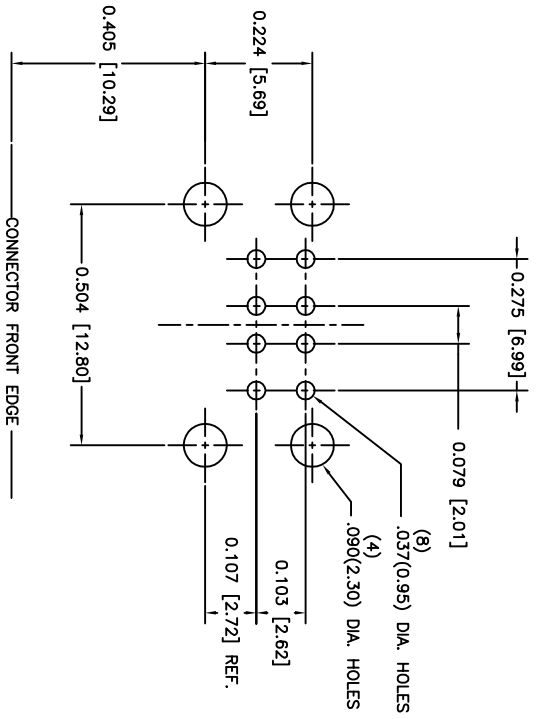
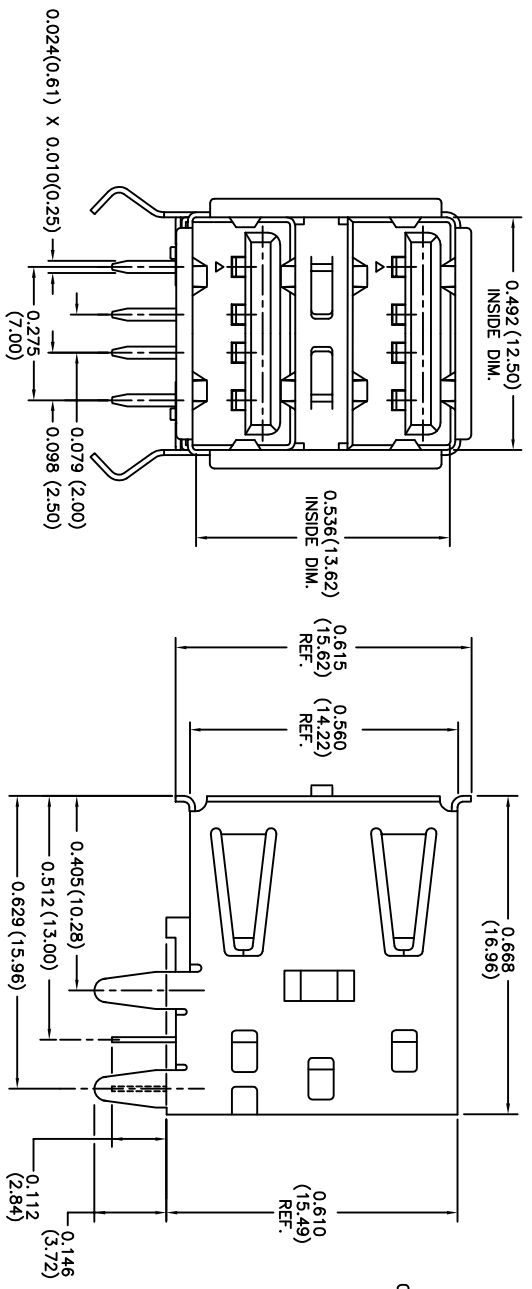


ISSUE NUMBER	1
ORIGINAL	
RE-DWG AS PER LATEST INF.	
F.BRIONES OCT.21/09	
	9

SPECIFICATIONS:

CURRENT RATING: 1.5 AMPD AT 250VAC
 VOLTAGE RATING: 30V
 INSULATION RESISTANCE: 1000 MEGOHMS MIN.
 CONTACT RESISTANCE: 30 MILLIOHMS MAX.
 DMV.: 500VAC
 TEMPERATURE RANGE: -20°C TO +60°C

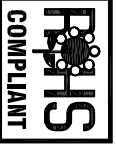


MATERIALS:

SHELL: COPPER ALLOY, NICKEL PLATED
 CONTACTS: COPPER ALLOY GOLD PLATE ON CONTACT AREA
 TIN ON TAIL END OVER NICKEL
 GOLD FLASH
 15 MICRONS OF GOLD
 30 MICRONS OF GOLD
 INSULATOR: THERMOPLASTIC (HIGH TEMPERATURE RESISTANCE)

PART NUMBER: 690-008-221-013

CONTACT CODE _____



THIS SERIES FULLY CONFORMS TO THE
 EUROPEAN UNION DIRECTIVES 2002/95/EC
 AND 2002/96/EC FOR ROHS COMPLIANCY.

USB CONNECTOR A TYPE, RIGHT ANGLE, DOUBLE DECK

<p>EDAC INC TORONTO, ONTARIO CANADA YOUR CONNECTION TO QUALITY & SERVICE</p>	THESE DRAWINGS AND SPECIFICATIONS ARE THE PROPERTY OF EDAC INC. AND SHALL NOT BE REPRODUCED, OR COPIED OR USED AS THE BASIS FOR THE MANUFACTURE OR SALE OF APPARATUS WITHOUT WRITTEN PERMISSION.	
	ACAD REFERENCE NO. 690-008-221-013 DRAWN: F.BRIONES DATE: OCT.21/09 CHECKED: DATE: SCALE: N.T.S. SHEET 1 OF 1 DRAWING NUMBER 690-008-221-013	ISSUE

X-ON Electronics

Largest Supplier of Electrical and Electronic Components

Click to view similar products for [USB Connectors](#) category:

Click to view products by [EDAC](#) manufacturer:

Other Similar products are found below :

[65-647-8-BK-BU](#) [950](#) [E8144-B01021-L](#) [A-USB A-LP-SMT-C](#) [A-USB B-TOP-C](#) [MUSBA511N5](#) [MUSBD11135](#) [217450-1](#) [CA 6 W LD](#)
[KMBVX-TH-5S-B30](#) [896-30-004-00-000000](#) [KUSBVX-BS1N-W30](#) [KUSBX-AP-KIT-SCBLK](#) [KUSBX-AS2N-W](#) [KUSBX-SMT2AP1S-W](#)
[KUSBX-SMT2AP1S-W30](#) [935](#) [957](#) [30-498-6](#) [1734082-1](#) [30-1574](#) [30-470](#) [30-489](#) [30-541](#) [30-572-3](#) [MAB 8 SN V](#) [A-USB A-2P-C](#)
[MIKROE-1451](#) [USBFTV2PEM2G](#) [USBFTVC6ZN](#) [KUSBX-AS2N-W30](#) [KUSBX-SLAS1N-W](#) [KUSBX-SMT-AS1N-W30](#) [4689-1](#) [1-](#)
[1734084-2](#) [E8110-001-01](#) [33UBARS1-04SW11](#) [33UBAR-04SW11](#) [USBF21ZNSCC](#) [USBBFTV6ZC](#) [10135326-001LF](#) [M9177/3-1](#) [925](#)
[4198](#) [690-024-633-031](#) [KUSBEX-BSFS1N-W](#) [USBFTVC6MRG](#) [UA-20BMFA-SL8001](#) [17-200011](#) [17-250101](#)