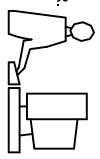


THIS IS A C.A.D. GENERATED DRAWING  
DO NOT MAKE MANUAL REVISIONS TO MASTER.



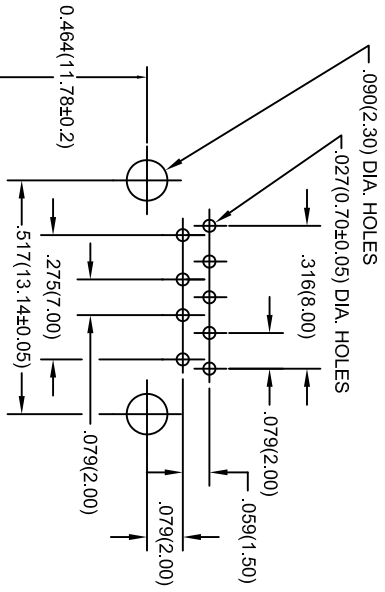
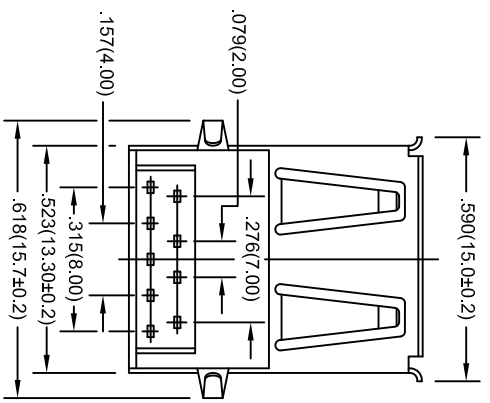
ISSUE NUMBER
REMOVE P/N: 690-009-221-013
R.STA:MONICA MAY.07/10 (7)
ADD P/N: 690-009-521-1013 AND 690-009-621-1013
R.STA:MONICA JUN.01/10 (8)
690-009-521-313 WAS
690-009-521-1013 AND 690-009-621-313 WAS
690-009-621-1013. ADD TAPE & REEL AND PCB TOLERANCE
R.STA:MONICA JUN.07/10 (9)

**SPECIFICATION:**

CONTACT CURRENT RATING: 1.8 A PER PIN MIN. AT25°C (STILL AIR)  
 INSULATION RESISTANCE: 100 MEGOHMS MIN. AT DC FOR 1 MINUTE  
 DWV: .100 VAC FOR 1 MINUTE  
 LOW LEVEL CONTACT RESISTANCE: 50 MILLIONHMS MAX.  
 INSERTION FORCE: 3.57 KG.(35N) MAX.  
 EXTRACTION FORCE: 1.02 KG.(10N) MIN. FOR INITIAL  
 OPERATING TEMPERATURE: -30°C TO +85°C

**MATERIALS:**

SHELL: BRASS, NICKEL PLATED  
 CONTACTS: PHOSPHOR BRONZE, PLATED WITH 15 MICRONS OF GOLD  
 ON CONTACT AREA, TIN ON TAIL OVER NICKEL.  
 INSULATORS: PBT, UL94V-0, BLUE COLOR (PANTONE 3000)



**PC BOARD MOUNTING DIMENSIONS**



THIS SERIES FULLY CONFORMS TO THE  
 EUROPEAN UNION DIRECTIVES 2002/95/EC  
 AND 2002/96/EC FOR ROHS COMPLIANCY.

**NOTE:**

TOLERANCE FOR ALL DIMENSIONS IN MM IS  $\pm 0.1$ ,  
 UNLESS OTHERWISE SPECIFIED

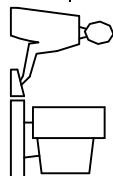
**USB-A RECEPTACLE 90° DIP, 3.0 VERSION**

ACAD REFERENCE NO. 690-009-521-013	
DRAWN: F.BRIONES	DATE: AUG.17/09
PART NUMBER	
<b>SEE ABOVE</b>	
DRAWING NUMBER	SHEET 1 OF 3
<b>690-009-521-013</b>	ISSUE
	<b>9</b>

**EDAC INC**  
 TORONTO, ONTARIO  
 CANADA  
 YOUR CONNECTION TO QUALITY & SERVICE

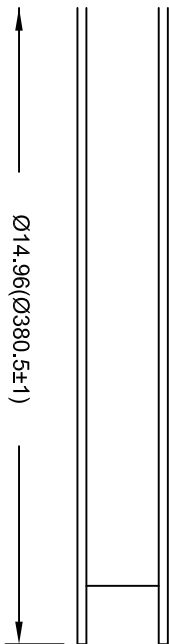
THESE DRAWINGS AND SPECIFICATIONS  
 ARE THE PROPERTY OF EDAC INC. AND  
 SHALL NOT BE REPRODUCED OR COPIED  
 OR USED AS THE BASIS FOR THE  
 MANUFACTURE OR SALE OF APPARATUS  
 WITHOUT WRITTEN PERMISSION.

THIS IS A C.A.D. GENERATED DRAWING  
DO NOT MAKE MANUAL REVISIONS TO MASTER.



ISSUE NUMBER  
**(9)**

SEE PAGE 1 OF 3



1.275(32.4+0.2/0)

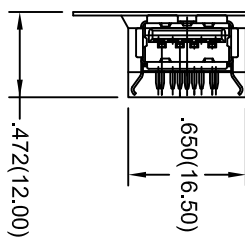
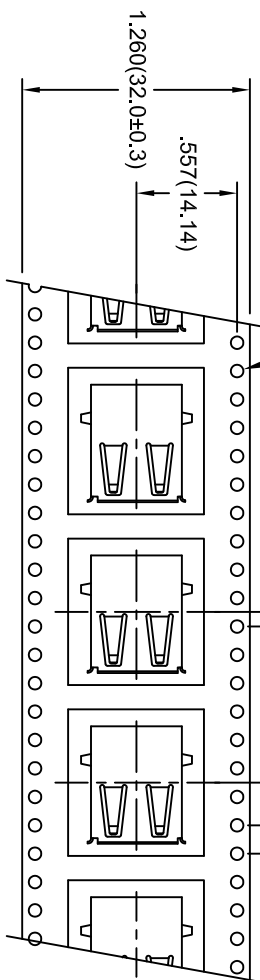
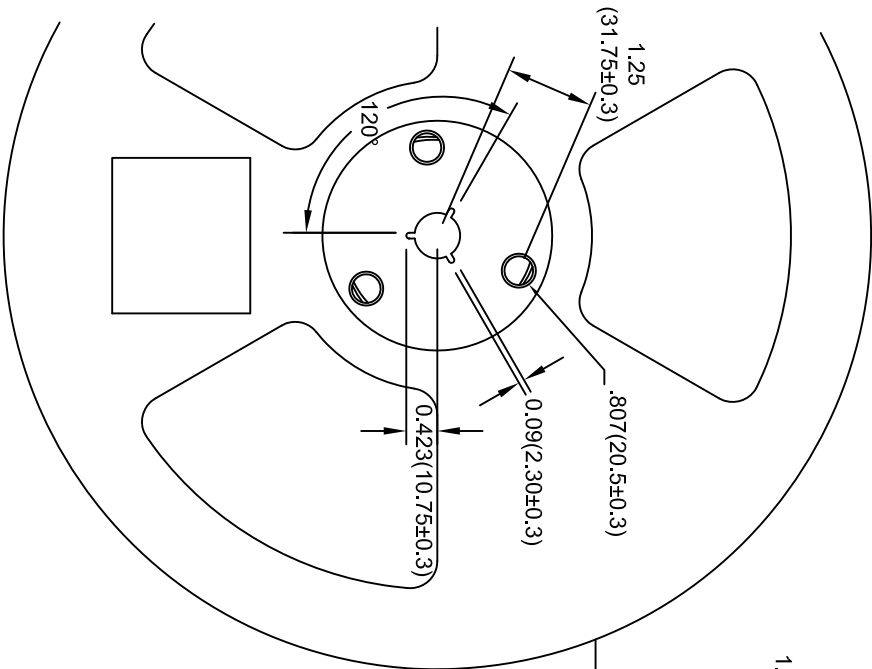
.059(1.50) DIA. HOLES

.079(2.00)

.945(24.00)

.157(4.00)

.020(0.50±0.05)

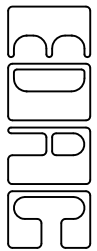


NOTE:  
TOLERANCE FOR ALL DIMENSIONS IN MM IS ±0.1, UNLESS OTHERWISE SPECIFIED

**USB-A RECEPTACLE 90° DIP, 3.0 VERSION  
PACKAGING REEL (350 PCS PER REEL)**

EDAC INC

TORONTO, ONTARIO  
CANADA



YOUR CONNECTION TO QUALITY & SERVICE

THESE DRAWINGS AND SPECIFICATIONS  
ARE THE PROPERTY OF EDAC INC. AND  
SHALL NOT BE REPRODUCED OR COPIED  
OR USED AS THE BASIS FOR THE  
MANUFACTURE OR SALE OF APPARATUS  
WITHOUT WRITTEN PERMISSION.

ACAD REFERENCE NO. 690-009-521-013

DRAWN: F. BRIONES DATE: AUG. 17/09

PART NUMBER

**SEE PAGE 1 OF 3**

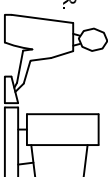
SHEET 2 OF 3

DRAWING NUMBER

**690-009-521-013**

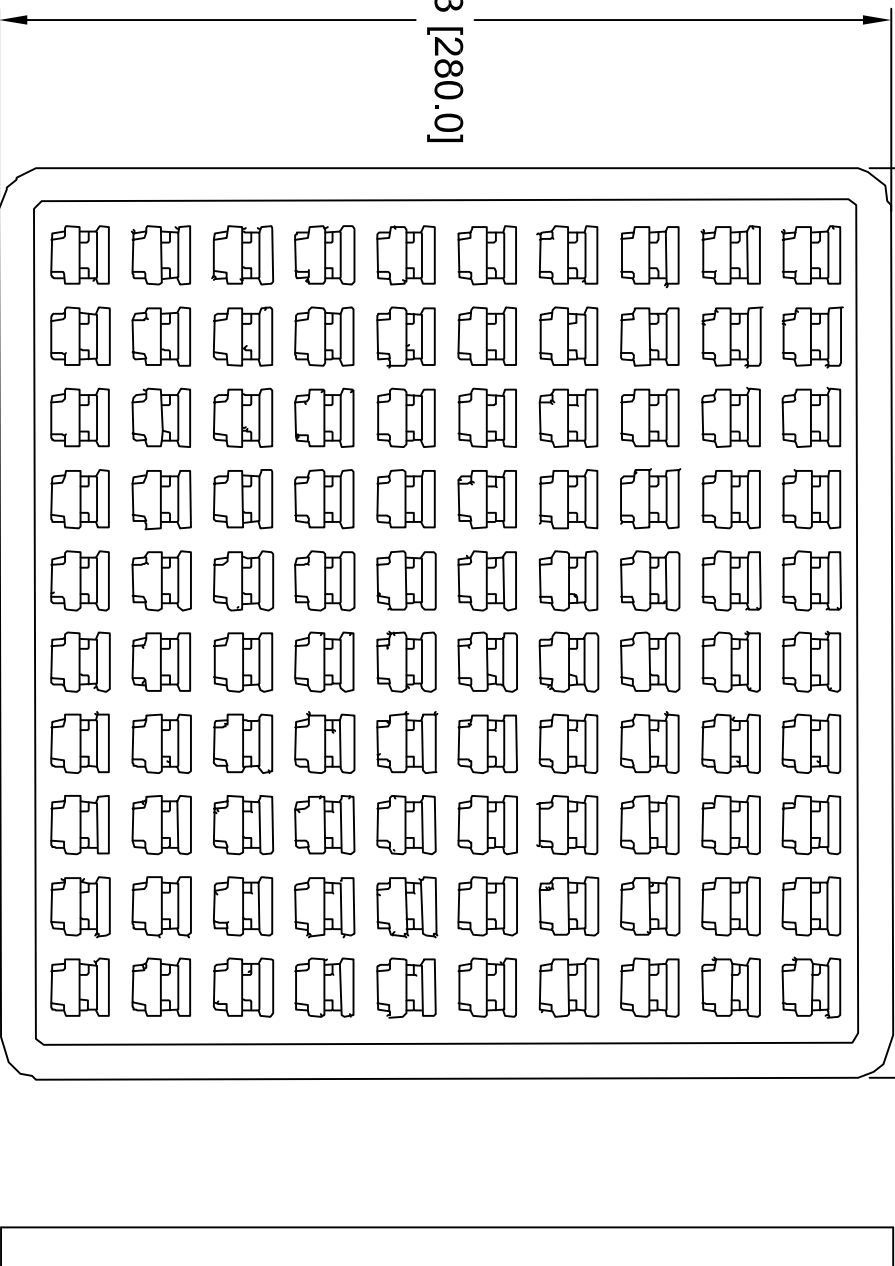
ISSUE

9



11.023 [280.0]

0.401 [10.2]



NOTES:

1. MATERIAL: TRANSPARENT PVC
2. THICKNESS: 0.20 ± 0.05MM
3. PCS / TRAY : 100PCS
4. TRAY / BOX : 25TRAYS
5. PCS / BOX : 2500PCS
6. CARTON SIZE:  
300MM x 300MM x 265MM

USB-A RECEPTACLE 90° DIP, 3.0 VERSION  
TRAY PACKAGING (100 PCS PER TRAY)

**EDAC INC**  
TORONTO, ONTARIO  
CANADA  
YOUR CONNECTION TO QUALITY & SERVICE

THESE DRAWINGS AND SPECIFICATIONS  
ARE THE PROPERTY OF EDAC INC. AND  
SHALL NOT BE REPRODUCED OR COPIED  
OR USED AS THE BASIS FOR THE  
MANUFACTURE OR SALE OF APPARATUS  
WITHOUT WRITTEN PERMISSION.

ACAD REFERENCE NO. 690-009-521-013

DRAWN: R.STA.MONICA DATE: JUN.01/10

PART NUMBER

SEE PAGE 1 OF 3

SHEET 3 OF 3

DRAWING NUMBER

690-009-521-013

ISSUE

9

## X-ON Electronics

Largest Supplier of Electrical and Electronic Components

*Click to view similar products for [USB Connectors](#) category:*

*Click to view products by [EDAC](#) manufacturer:*

Other Similar products are found below :

[65-647-8-BK-BU](#) [950](#) [E8144-B01021-L](#) [A-USB A-LP-SMT-C](#) [A-USB B-TOP-C](#) [MUSBA511N5](#) [MUSBD11135](#) [217450-1](#) [CA 6 W LD](#)  
[KMBVX-TH-5S-B30](#) [896-30-004-00-000000](#) [KUSBVX-BS1N-W30](#) [KUSBX-AP-KIT-SCBLK](#) [KUSBX-AS2N-W](#) [KUSBX-SMT2AP1S-W](#)  
[KUSBX-SMT2AP1S-W30](#) [935](#) [957](#) [30-498-6](#) [1734082-1](#) [30-1574](#) [30-470](#) [30-489](#) [30-541](#) [30-572-3](#) [MAB 8 SN V](#) [A-USB A-2P-C](#)  
[MIKROE-1451](#) [USBFTV2PEM2G](#) [USBFTVC6ZN](#) [KUSBX-AS2N-W30](#) [KUSBX-SLAS1N-W](#) [KUSBX-SMT-AS1N-W30](#) [4689-1](#) [1-](#)  
[1734084-2](#) [E8110-001-01](#) [MUSBA81130](#) [33UBARS1-04SW11](#) [33UBAR-04SW11](#) [USBF21ZNSCC](#) [USBBFTV6ZC](#) [10135326-001LF](#)  
[M9177/3-1](#) [925](#) [4198](#) [690-024-633-031](#) [KUSBEX-BSFS1N-W](#) [USBFTVC6MRG](#) [UA-20BMFA-SL8001](#) [17-200011](#)