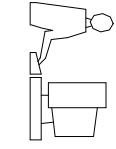


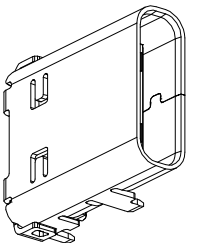
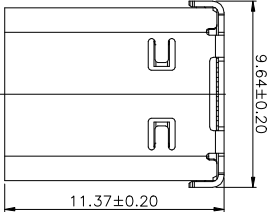
THIS IS A C.A.D. GENERATED DRAWING
DO NOT MAKE MANUAL REVISIONS TO MASTER.



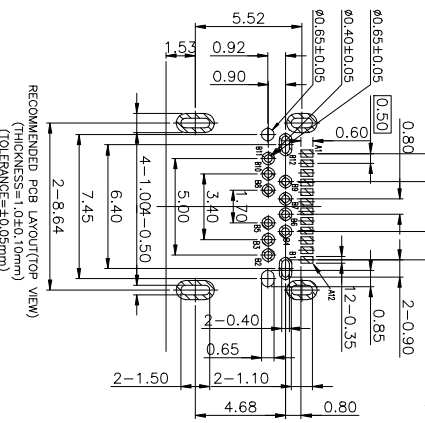
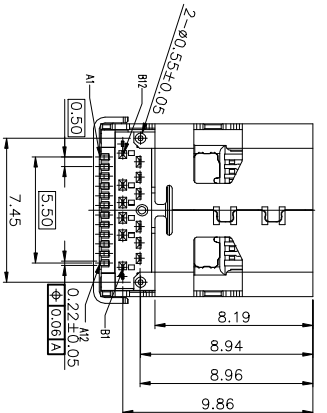
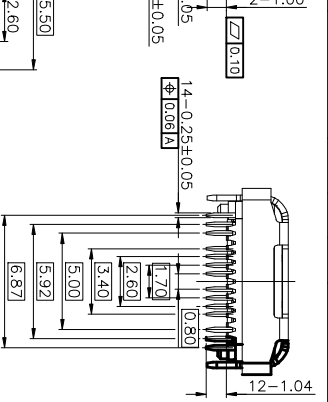
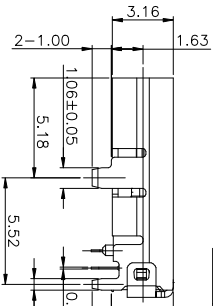
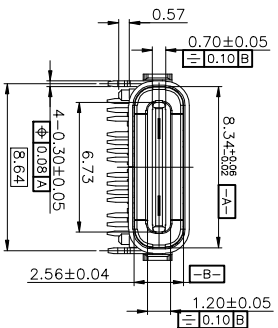
Pin	Signal Name	Description	Mating Pin	Pin	Signal Name	Description	Mating Pin
A1	GND	Ground lead	Pin	B12	GND	Ground lead	Pin
A2	RTN1A	Positive lead of two-channel TX differential pair	Ground	B11	RTN1A	Positive lead of two-channel TX differential pair	Ground
A3	RTN2A	Negative lead of two-channel TX differential pair	Ground	B10	RTN2A	Negative lead of two-channel TX differential pair	Ground
A4	VBUS	5V Power	Pin	B9	VBUS	5V Power	Pin
A5	NC1	Connector Contact	Ground	B8	NC1	Connector Contact	Ground
A6	DP1	Differential pair - Channel 1	Ground	B7	DP1	Differential pair - Channel 1	Ground
A7	DM1	Negative lead of USB20 differential pair - Channel 1	Ground	B6	DM1	Negative lead of USB20 differential pair - Channel 1	Ground
A8	DM1	Positive lead of USB20 differential pair - Channel 1	Ground	B5	DM1	Positive lead of USB20 differential pair - Channel 1	Ground
A9	VBUS	5V Power	Pin	B4	VBUS	5V Power	Pin
A10	RTN2B	Negative lead of second channel TX differential pair	Ground	B3	RTN2B	Negative lead of second channel TX differential pair	Ground
A11	RTN1B	Positive lead of second channel TX differential pair	Ground	B2	RTN1B	Positive lead of second channel TX differential pair	Ground
A12	GND	Ground lead	Pin	B1	GND	Ground lead	Pin

TOLERANCE UNLESS OTHERWISE SPECIFIED IN MM:

0.0 ±0.35 ANGLE 0° ±3°
 0.00 ±0.25 0.0 ±2°
 0.00 ±0.15 0.00 ±1°



3D VIEW



RECOMMENDED PCB LAYOUT (TOP VIEW)
 (THICKNESS=1.0±0.10mm)
 (TOLERANCE=±0.05mm)

PART NUMBERS	
GOLD FLASH	690-024-231-031
15u" GOLD	690-024-331-031
30u" GOLD	690-024-831-031

- 2-2. SHELL: NICKEL PLATED.
3. MECHANICAL PERFORMANCE
 - 3-1. INSERTION FORCE: 5N~20N.
 - 3-2. WITHDRAWAL FORCE: 8N~20N.
 - 3-3. DURABILITY: 10000 CYCLES.
4. ELECTRICAL PERFORMANCE
 - 4-1. CURRENT RATING: 1A.
 - 4-2. ILCR: CONTACT: 40 mΩ MAX(INITIAL).
 - 4-3. INSULATION RESISTANCE: UNMATED: 100 MΩ MIN.
 - 4-4. DIELECTRIC WITHSTAND VOLTAGE: 100V AC.
5. IR REFLOW: THE PEAK TEMPERATURE ON BOARD SHALL BE MAINTAINED FOR 10 SECONDS AT 260±5°C.
6. OPERATING TEMPERATURE RANGE: -40°C~85°C (WITHOUT LOSS FUNCTION).

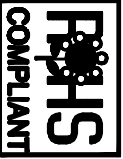
HYBRID MOUNT (THRU-HOLE AND SURFACE MOUNT)

USB 3.1 TYPE C FEMALE

EDAC INC
 TORONTO, ONTARIO
 CANADA
 YOUR CONNECTION TO QUALITY & SERVICE

THESE DRAWINGS AND SPECIFICATIONS ARE THE PROPERTY OF EDAC INC. AND SHALL NOT BE REPRODUCED OR COPIED OR USED AS THE BASIS FOR THE MANUFACTURE OR SALE OF APPARATUS WITHOUT WRITTEN PERMISSION.

ACAD REFERENCE NO.:	690-024-231-031
DRAWN:	N.SONDH
DATE:	JUN/29/2015
CHECKED:	
DATE:	
PART NUMBER	SEE TABLE
DRAWING NUMBER	690-024-231-031
SHEET 1 OF 2	ISSUE
	2



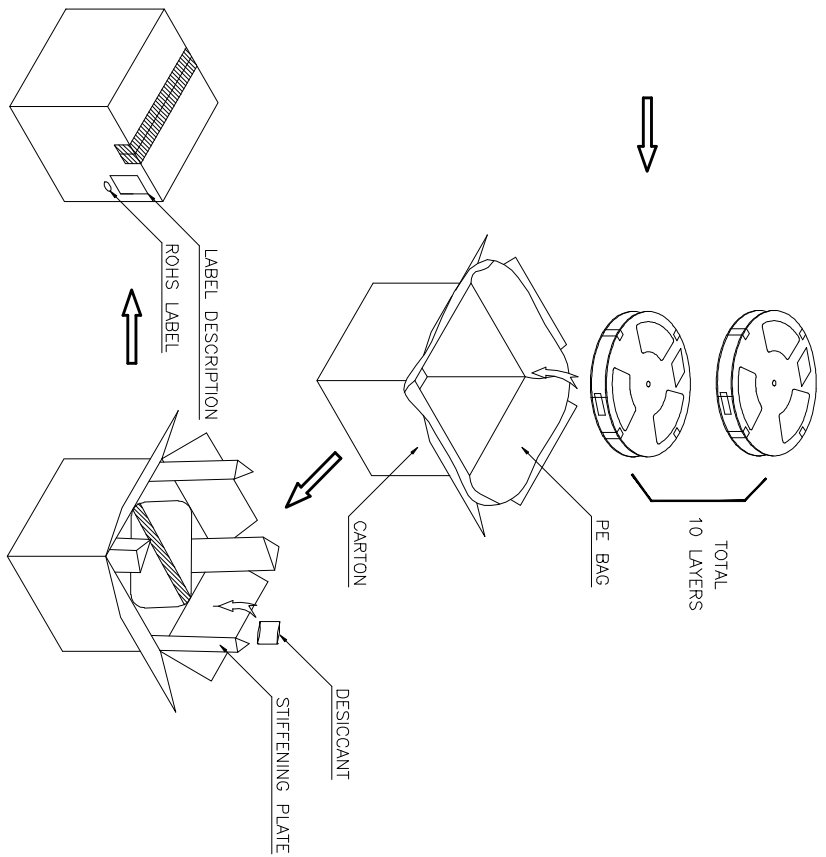
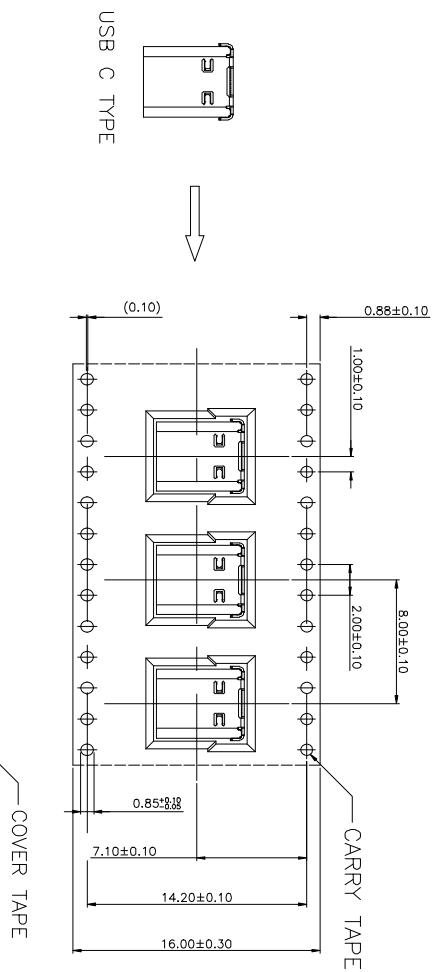
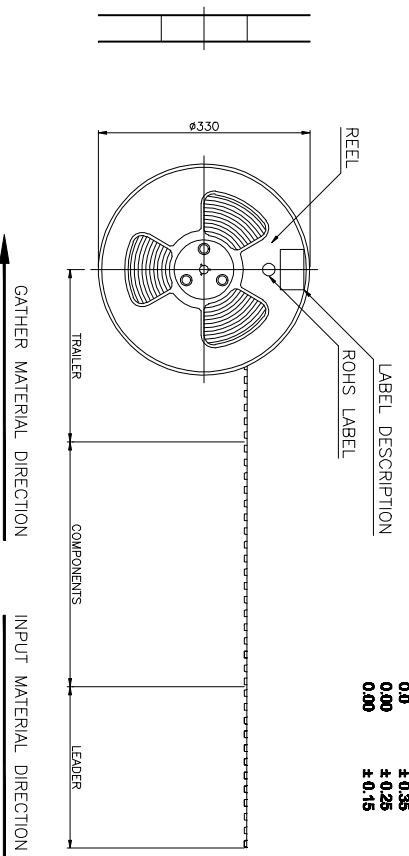
THIS SERIES FULLY CONFORMS TO THE EUROPEAN UNION DIRECTIVES 2011/85/EU FOR ROHS COMPLIANCY.

TOLERANCE UNLESS OTHERWISE SPECIFIED IN MM:

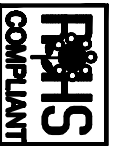
0.0	± 0.35	ANGLE	0.0	± 3°
0.00	± 0.25		0.0	± 2°
0.00	± 0.15		0.00	± 1°

THIS IS A C.A.D. GENERATED DRAWING
DO NOT MAKE MANUAL REVISIONS TO MASTER.

ISSUE NUMBER
ORIGINAL
①



- NOTES:
1. THE START AND END OF EACH REEL, BASED ON THE ACTUAL QUANTITY, RESERVED 5--15PCS SPACE;
 2. COVER TAPE AND CARRY TAPE PEEL, 10g~130g; PEEL DEG.: 165°~175°;
 3. QTY*: 800PCS/REEL, 10REEL/CARTON, TOTAL 8000PCS/CARTON;



THIS SERIES FULLY CONFORMS TO THE EUROPEAN UNION DIRECTIVES 2011/65/EU FOR ROHS COMPLIANCY.

USB 3.1 TYPE C FEMALE

EDAC INC
TORONTO, ONTARIO
CANADA
YOUR CONNECTION TO QUALITY & SERVICE

THESE DRAWINGS AND SPECIFICATIONS ARE THE PROPERTY OF EDAC INC. AND SHALL NOT BE REPRODUCED OR COPIED OR USED AS THE BASIS FOR THE MANUFACTURE OR SALE OF APPARATUS WITHOUT WRITTEN PERMISSION.

ACAD REFERENCE NO.:	690-024-231-031
DRAWN:	N.SONDH
DATE:	JUN.29/2015
CHECKED:	
DATE:	
PART NUMBER	
DRAWING NUMBER	
SEE TABLE	SHEET 2 OF 2
690-024-231-031	ISSUE
	2

X-ON Electronics

Largest Supplier of Electrical and Electronic Components

Click to view similar products for [USB Connectors](#) category:

Click to view products by [EDAC](#) manufacturer:

Other Similar products are found below :

[65-647-8-BK-BU](#) [950](#) [E8144-B01021-L](#) [A-USB A-LP-SMT-C](#) [A-USB B-TOP-C](#) [MUSBA511N5](#) [MUSBD11135](#) [217450-1](#) [CA 6 W LD](#)
[KMBVX-TH-5S-B30](#) [896-30-004-00-000000](#) [KUSBVX-BS1N-W30](#) [KUSBX-AP-KIT-SCBLK](#) [KUSBX-AS2N-W](#) [KUSBX-SMT2AP1S-W](#)
[KUSBX-SMT2AP1S-W30](#) [935](#) [957](#) [30-498-6](#) [1734082-1](#) [30-1574](#) [30-470](#) [30-489](#) [30-541](#) [30-572-3](#) [MAB 8 SN V](#) [A-USB A-2P-C](#)
[MIKROE-1451](#) [USBFTV2PEM2G](#) [USBFTVC6ZN](#) [KUSBX-AS2N-W30](#) [KUSBX-SLAS1N-W](#) [KUSBX-SMT-AS1N-W30](#) [4689-1](#) [1-](#)
[1734084-2](#) [E8110-001-01](#) [MUSBA81130](#) [33UBARS1-04SW11](#) [33UBAR-04SW11](#) [USBF21ZNSCC](#) [USBBFTV6ZC](#) [10135326-001LF](#)
[M9177/3-1](#) [925](#) [4198](#) [690-024-633-031](#) [KUSBEX-BSFS1N-W](#) [USBFTVC6MRG](#) [UA-20BMFA-SL8001](#) [17-200011](#)