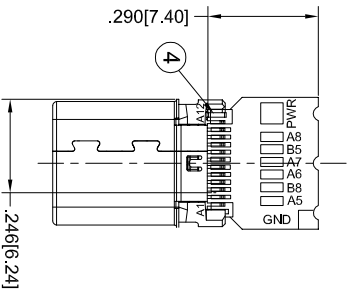
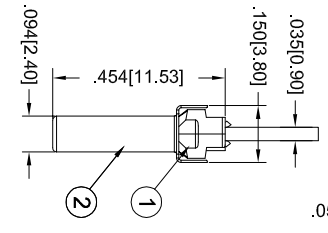
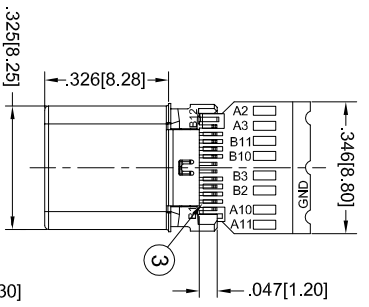


A12	A11	A10	A9	A8	A7	A6	A5	A4	A3	A2	A1
GND	RX2+	RX2-	Vbus	SBU1	D-	D+	CC	Vbus	TX1-	TX1+	GND
GND	TX2+	TX2-	Vbus	Vconn			SBU2	Vbus	RX1-	RX1+	GND
B1	B2	B3	B4	B5	B6	B7	B8	B9	B10	B11	B12



THIS SERIES FULLY CONFORMS TO THE
EUROPEAN UNION DIRECTIVES 2002/95/EC
AND 2002/96/EC FOR ROHS COMPLIANCY.



ELECTRICAL CHARACTERISTICS:

CURRENT RATING:
5.0 A FOR VBUS PIN AND ITS CORRESPONDING GND PIN.
0.25 A MIN. FOR ALL OTHER CONTACTS.

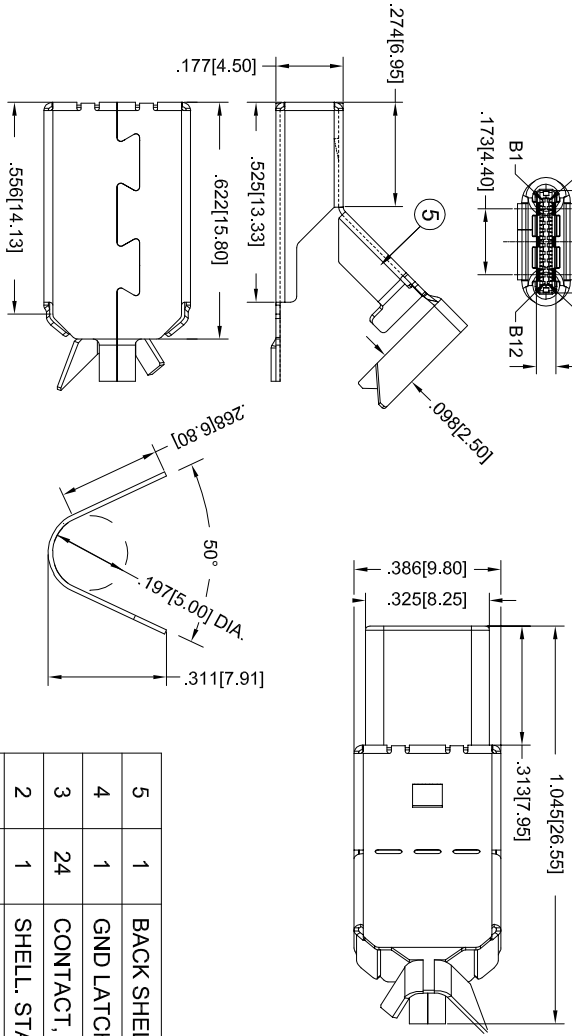
CONTACT RESISTANCE:

30 MILLIOHMS MAX. FOR VBUS AND GND CONTACT
50 MILLIOHMS MAX. FOR ALL OTHER CONTACT
DIELECTRIC WITHSTANDING VOLTAGE: 100VAC MIN.
INSULATION RESISTANCE: 100 MEGOHMS MIN.

MECHANICAL CHARACTERISTICS:

CONNECTOR INSERTION FORCE: 5-20N, AT MAX. RATED
OF 12.5mm PER SECOND,
CONNECTOR EXTRATION FORCE: 8-20N, AT MAX. RATED
OF 12.5mm PER SECOND.

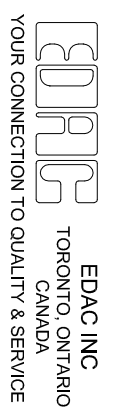
DURABILITY: 10000 CYCLES
OPERATING TEMPERATURE: -55°C TO +85°C



ITEM	QTY.	DESCRIPTION
5	1	BACK SHELL, SPCC, NICKEL PLATED
4	1	GND LATCH, STALESS STEEL, NICKEL PLATED OVERALL, TAB WITH TIN PLATED
3	24	CONTACT, COPPER ALLY, GOLD PLATED ON CONTACT AREA, TIN ON TAILS OVER NICKEL
2	1	SHELL, STALESS STEEL, CLEAN
1	2	HOUSING, THERMOPLASTIC, UL94V-0, BLACK COLOR

USB 3.1 TYPE C PLUG CONNECTOR

ACAD REFERENCE NO.	690-024-260-900
DRAWN: F.BRONES	DATE: JUL. 07/15
PART NUMBER	690-024-260-900
DRAWING NUMBER	690-024-260-900



THESE DRAWINGS AND SPECIFICATIONS ARE THE PROPERTY OF EDAC INC. AND SHALL NOT BE REPRODUCED OR COPIED OR USED AS THE BASIS FOR THE MANUFACTURE OR SALE OF APPARATUS WITHOUT WRITTEN PERMISSION.

YOUR CONNECTION TO QUALITY & SERVICE	ISSUE
	1

X-ON Electronics

Largest Supplier of Electrical and Electronic Components

Click to view similar products for [USB Connectors](#) category:

Click to view products by [EDAC](#) manufacturer:

Other Similar products are found below :

[10033527-N3112MLF](#) [17-210561](#) [GMCB05B11124H1EU](#) [17-200931](#) [65-647-8-BK-BU](#) [690-010-295-484](#) [73725-1191BLF](#) [950](#) [E8144-B01021-L](#) [A-USB A-LP-SMT-C](#) [A-USB B-TOP-C](#) [MUSBA511N5](#) [MUSBB15131](#) [MUSBC111M5](#) [MUSBD11135](#) [217450-1](#) [CA 6 W LD](#)
[896-30-004-00-000000](#) [KUSBVX-BS1N-W30](#) [KUSBX-AP-KIT-SCBLK](#) [KUSBX-AS2N-W](#) [KUSBX-SMT2AP1S-W](#) [KUSBX-SMTAS1NBTR](#) [KUSBX-SMTBS1NBTR](#) [30-498-6](#) [SK-60A-2](#) [17-200261](#) [17-210051](#) [1734082-1](#) [FK-37-32SL](#) [30-1574](#) [30-470](#) [30-489](#) [30-541](#) [30-572-3](#) [30-9503](#) [M9177/2-1](#) [MAB 5 S](#) [MIKROE-1451](#) [33UBBR-04SW11R](#) [USBFTV2PEM2G](#) [USBFTVC6ZN](#) [USBFTVSCCG](#)
[KUSBX-AS2N-W30](#) [KUSBX-SLAS1N-W](#) [KUSBX-SLAS1N-W30](#) [1-1734084-2](#) [E8110-001-01](#) [MUSBC11135](#) [NK-27-32SL](#)