

TOLERANCE UNLESS OTHERWISE SPECIFIED IN MM:

0.0	± 0.38	ANGLE
0.00	± 0.25	0. ± 3°
0.000	± 0.05	0.0 ± 1°

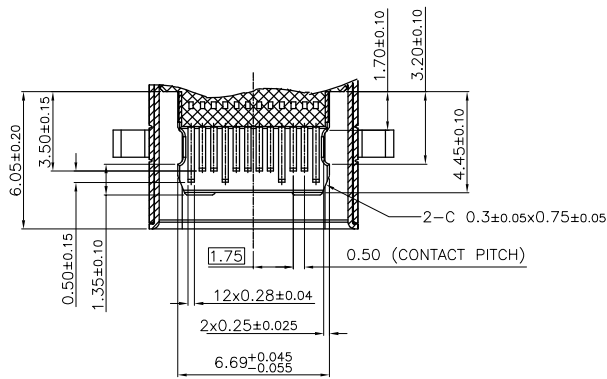
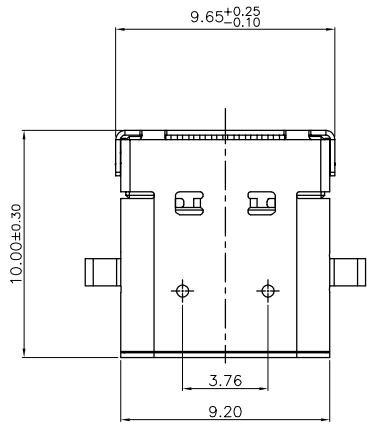
THIS IS A C.A.D. GENERATED DRAWING  
DO NOT MAKE MANUAL REVISIONS TO MASTER.



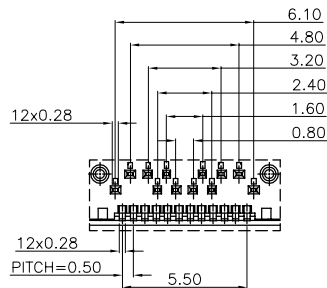
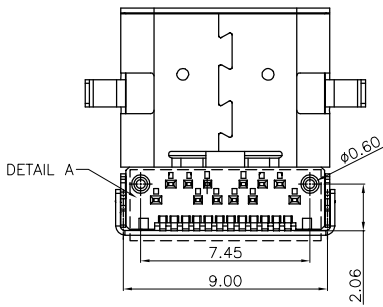
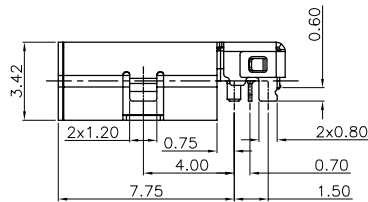
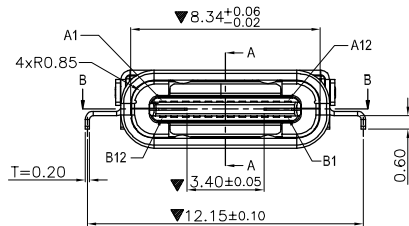
ISSUE NUMBER

ORIGINAL

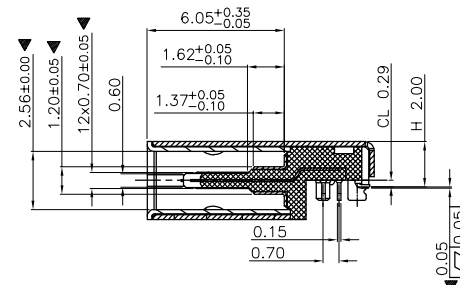
1



SECTION B-B



DETAIL A



SECTION A-A

HYBRID MOUNT (THRU-HOLE AND SURFACE MOUNT)

NOTES:

MATERIAL:

HOUSING: HIGH TEMPERATURE PLASTIC, UL94V-0,  
CONTACT: COPPER ALLOY (T=0.15mm)  
SHELL: STAINLESS STEEL (T=0.20mm)

ELECTRICAL:

CONTACT RESISTANCE: 40mΩ MAX FOR INITIAL.  
50mΩ FOR AFTER TEST.

MEASURE AT 20mV, 100mA

CONTACT CURRENT RATING: 5A FOR V<sub>BUS</sub> PIN, 1.25 FOR V<sub>CONN</sub> PIN  
DIELECTRIC WITHSTANDING: 100V AC R.M.S.

INSULATION RESISTANCE: 100MΩ MIN

OPERATING TEMPERATURE: -40° ~ +85°C

MECHANICAL:

MATING FORCE: 5 ~ 20N

UNMATING FORCE: 8 ~ 20N AFTER TEST

DURABILITY: 10,000 CYCLES

PLATING:

CONTACT: GOLD PLATING ALL OVER 50u" MIN NICKEL

80u" MIN TIN ALL OVER 50u" MIN NICKEL ON SOLDER AREA

SHELL: 50u"Min NICKEL PLATING ALL OVER.

PART NUMBERS

GOLD FLASH	690-024-234-031
15u"GOLD	690-024-334-031
30u"GOLD	690-024-634-031



THIS SERIES FULLY CONFORMS TO THE EUROPEAN UNION DIRECTIVES 2011/65/EU FOR RoHS COMPLIANCY.

USB 3.1 TYPE C, 0.29 DIP FEMALE



EDAC INC  
TORONTO, ONTARIO  
CANADA

YOUR CONNECTION TO QUALITY & SERVICE

THESE DRAWINGS AND SPECIFICATIONS ARE THE PROPERTY OF EDAC INC. AND SHALL NOT BE REPRODUCED, OR COPIED OR USED AS THE BASIS FOR THE MANUFACTURE OR SALE OF APPARATUS WITHOUT WRITTEN PERMISSION.

ACAD REFERENCE NO.: 690-024-234-031

DRAWN: N.SONDH

DATE: JUN.23/2015

CHECKED:

DATE:

PART NUMBER

SEE TABLE

SHEET 1 OF 3

DRAWING NUMBER

690-024-234-031

ISSUE

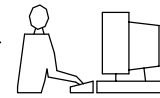
1

TOLERANCE UNLESS OTHERWISE SPECIFIED IN MM:

0.0 ± 0.38  
 0.00 ± 0.25  
 0.000 ± 0.05

ANGLE  
 0. ± 3°  
 0.0 ± 1°

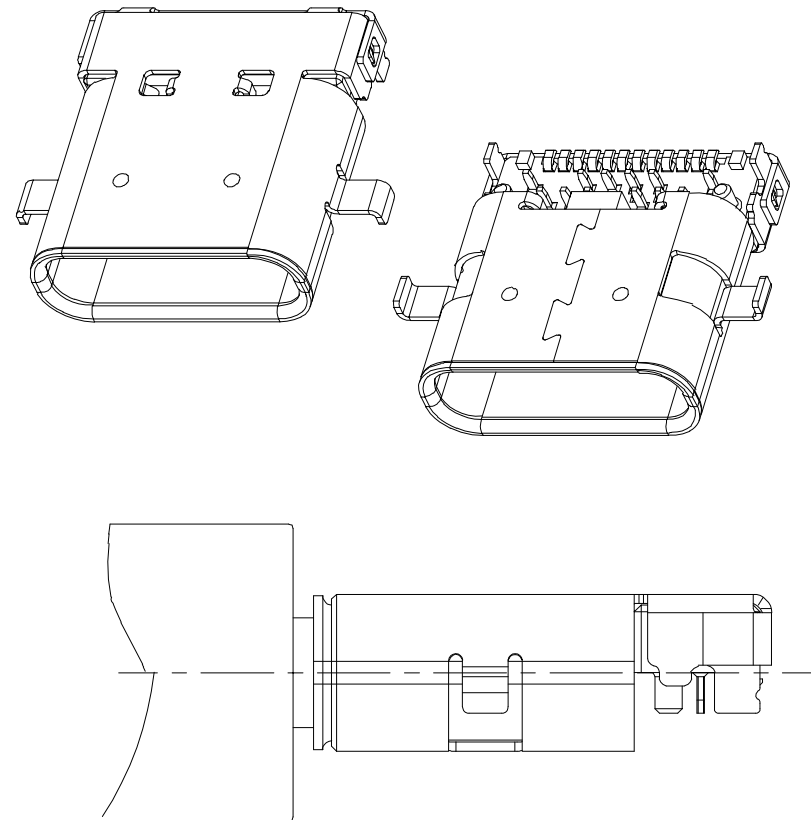
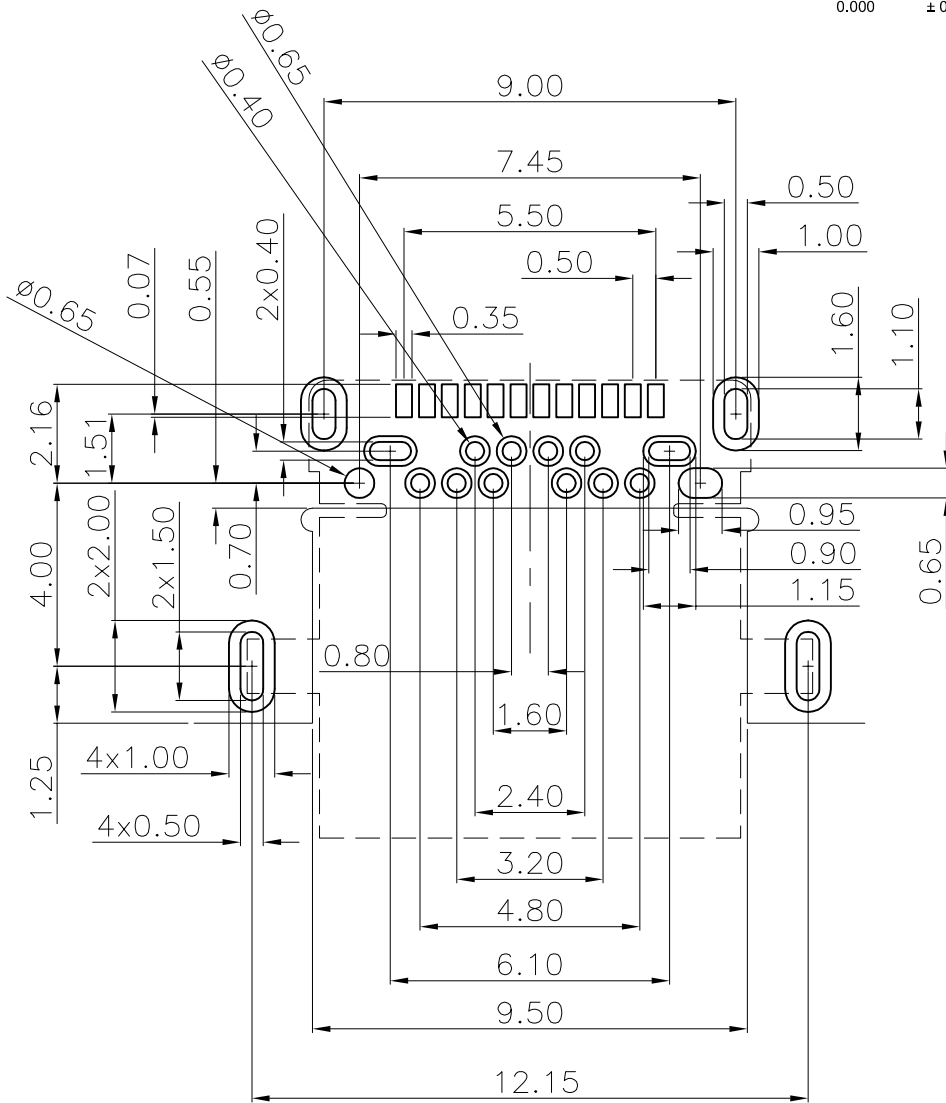
THIS IS A C.A.D. GENERATED DRAWING  
 DO NOT MAKE MANUAL REVISIONS TO MASTER.



ISSUE NUMBER

ORIGINAL

1



HYBRID MOUNT (THRU-HOLE AND SURFACE MOUNT)

RECOMMEND PCB LAYOUT (COMPONENT SIDE)  
 TOLERANCE FOR PCB LAYOUT IS ± 0.05



THIS SERIES FULLY CONFORMS TO THE EUROPEAN UNION DIRECTIVES 2011/65/EU FOR RoHS COMPLIANCY.

USB 3.1 TYPE C, 0.29 DIP FEMALE



EDAC INC  
 TORONTO, ONTARIO  
 CANADA

YOUR CONNECTION TO QUALITY & SERVICE

THESE DRAWINGS AND SPECIFICATIONS ARE THE PROPERTY OF EDAC INC. AND SHALL NOT BE REPRODUCED, OR COPIED OR USED AS THE BASIS FOR THE MANUFACTURE OR SALE OF APPARATUS WITHOUT WRITTEN PERMISSION.

ACAD REFERENCE NO.: 690-024-234-031

DRAWN: N.SONDH

DATE: JUN.24/2015

CHECKED:

DATE:

PART NUMBER

SEE TABLE

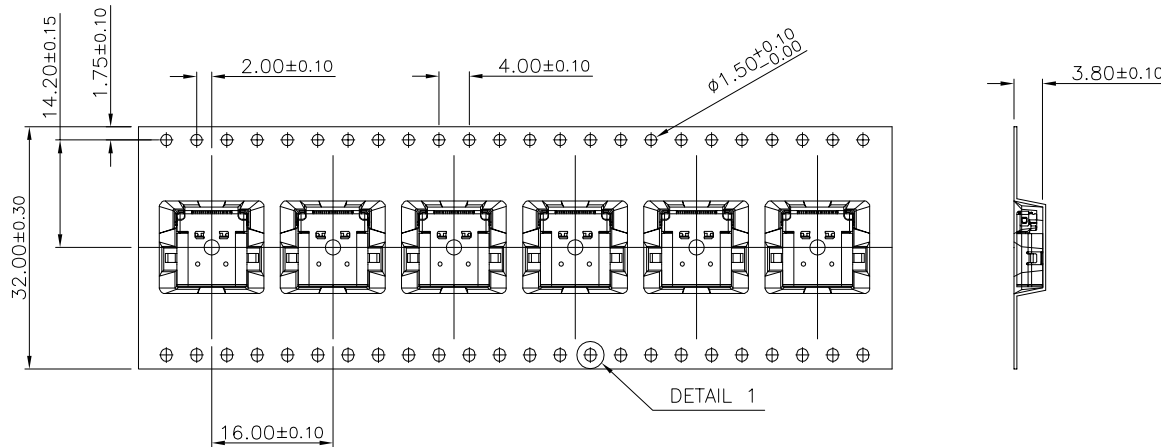
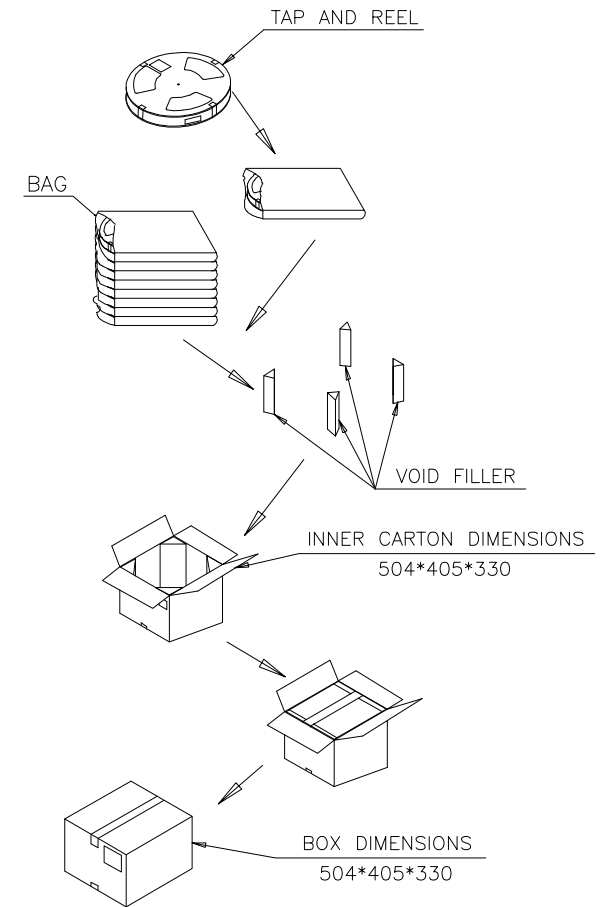
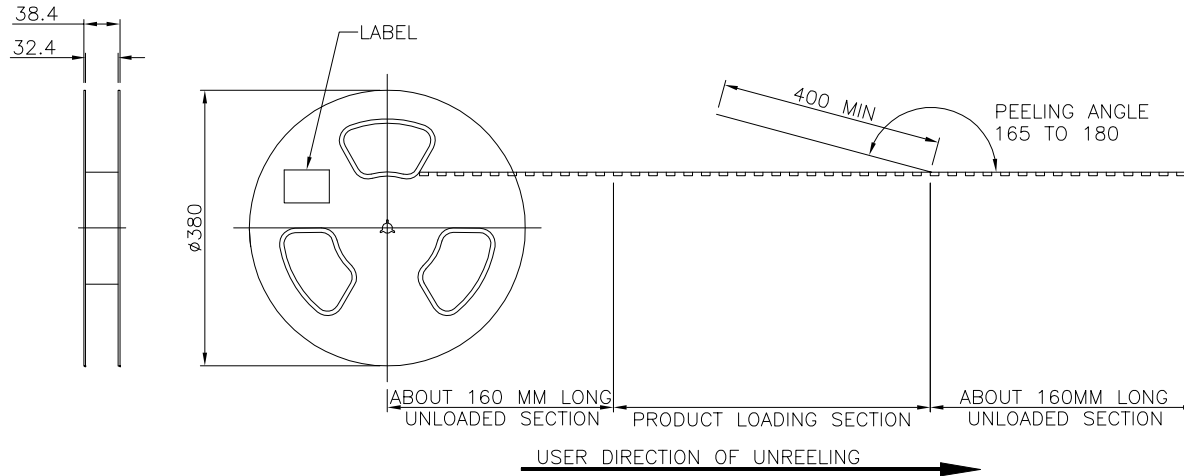
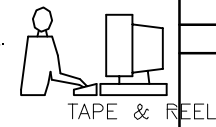
SHEET 2 OF 3

DRAWING NUMBER

690-024-234-031

ISSUE

1



NOTES:

MATERIAL:

- BOX: FIBERBOARD, CORRUGATED, DOUBLE WALL.
- TAPE: POLYSTYRENES, HEAT-RESISTANCE TEMPERATURE: 120°C, BLACK COLOR.
- REEL: POLYSTYRENES, HEAT-RESISTANCE TEMPERATURE: 70°C, BLUE COLOR.
- BAG: POLYSTYRENES, HEAT-RESISTANCE TEMPERATURE: 100°C.
- PEELING STRENGTH: 0.1 TO 1.3 N (10 TO 130 GRAMS).
- PEELING SPEED: 300mm / min
- EACH BAG SHALL BE INCLUDED DESICCANT.



THIS SERIES FULLY CONFORMS TO THE EUROPEAN UNION DIRECTIVES 2011/65/EU FOR RoHS COMPLIANCY.

## USB 3.1 TYPE C, 0.29 DIP FEMALE



EDAC INC  
TORONTO, ONTARIO  
CANADA

YOUR CONNECTION TO QUALITY & SERVICE

THESE DRAWINGS AND SPECIFICATIONS ARE THE PROPERTY OF EDAC INC. AND SHALL NOT BE REPRODUCED OR COPIED OR USED AS THE BASIS FOR THE MANUFACTURE OR SALE OF APPARATUS WITHOUT WRITTEN PERMISSION.

ACAD REFERENCE NO.: 690-024-234-031	
DRAWN: N.SONDH	DATE: JUN.23/2015
CHECKED:	DATE:
PART NUMBER <b>SEE TABLE</b>	
SHEET 3 OF 3	
DRAWING NUMBER <b>690-024-234-031</b>	ISSUE 1

## X-ON Electronics

Largest Supplier of Electrical and Electronic Components

*Click to view similar products for [USB Connectors](#) category:*

*Click to view products by [EDAC](#) manufacturer:*

Other Similar products are found below :

[65-647-8-BK-BU](#) [950](#) [E8144-B01021-L](#) [A-USB A-LP-SMT-C](#) [A-USB B-TOP-C](#) [MUSBA511N5](#) [MUSBD11135](#) [217450-1](#) [CA 6 W LD](#)  
[KMBVX-TH-5S-B30](#) [896-30-004-00-000000](#) [KUSBVX-BS1N-W30](#) [KUSBX-AP-KIT-SCBLK](#) [KUSBX-AS2N-W](#) [KUSBX-SMT2AP1S-W](#)  
[KUSBX-SMT2AP1S-W30](#) [935](#) [957](#) [30-498-6](#) [1734082-1](#) [30-1574](#) [30-470](#) [30-489](#) [30-541](#) [30-572-3](#) [MAB 8 SN V](#) [A-USB A-2P-C](#)  
[MIKROE-1451](#) [USBFTV2PEM2G](#) [USBFTVC6ZN](#) [KUSBX-AS2N-W30](#) [KUSBX-SLAS1N-W](#) [KUSBX-SMT-AS1N-W30](#) [4689-1](#) [1-](#)  
[1734084-2](#) [E8110-001-01](#) [MUSBA81130](#) [33UBARS1-04SW11](#) [33UBAR-04SW11](#) [USBF21ZNSCC](#) [USBBFTV6ZC](#) [10135326-001LF](#)  
[M9177/3-1](#) [925](#) [4198](#) [690-024-633-031](#) [KUSBEX-BSFS1N-W](#) [USBFTVC6MRG](#) [UA-20BMFA-SL8001](#) [17-200011](#)