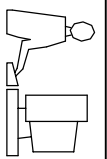


TOLERANCE UNLESS OTHERWISE SPECIFIED IN MM: 0 ±0.2 0.00 ±0.1 0.000 ±0.005

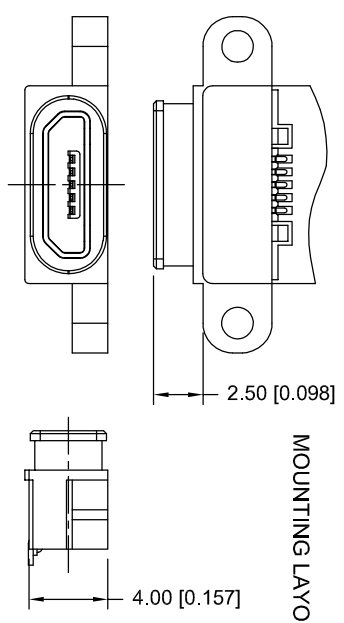
ANGLE 1°

THIS IS A C.A.D. GENERATED DRAWING DO NOT MAKE MANUAL REVISIONS TO MASTER.

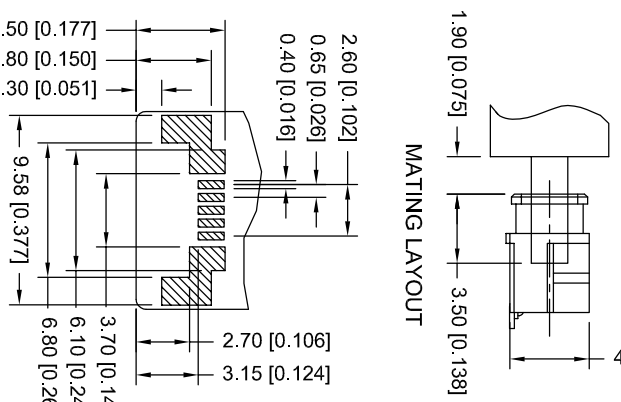


ISSUE NUMBER	ADD PACKAGING SPECS	ADD NOTE 4: TUBE PACKAGING PART NO. R.STA.MONICA MAY/20/2015	ADD NOTE 3: O-RING R.STA.MONICA MAY/20/2015	UPDATE GASKET TO SINGLE POINT O-RING R.STA.MONICA SEPT.26/2016
②	ADD PACKAGING SPECS	ADD NOTE 4: TUBE PACKAGING PART NO. R.STA.MONICA MAY/20/2015	ADD NOTE 3: O-RING R.STA.MONICA MAY/20/2015	UPDATE GASKET TO SINGLE POINT O-RING R.STA.MONICA SEPT.26/2016
③	SEE PAGE 2 OF 2 R.STA.MONICA SEPT.16/2014			
④	ADD NOTE 4: TUBE PACKAGING PART NO. R.STA.MONICA MAY/20/2015			
⑤				

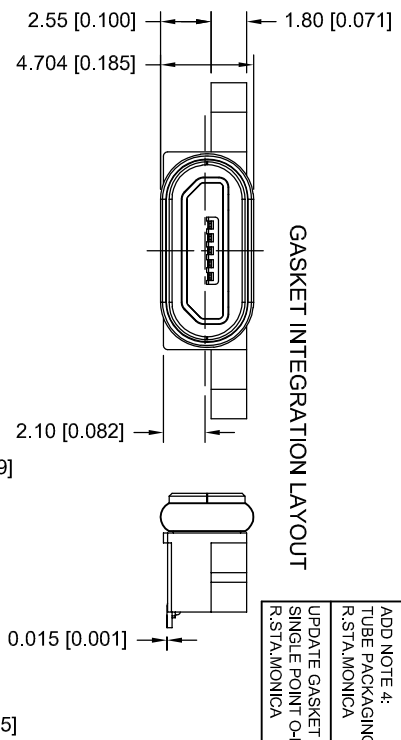
MOUNTING LAYOUT



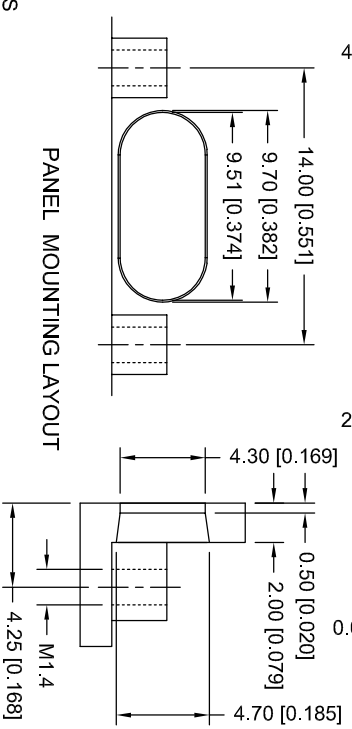
MATING LAYOUT



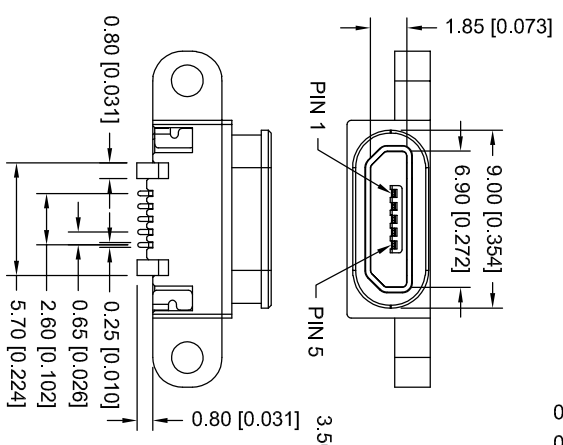
GASKET INTEGRATION LAYOUT



PANEL MOUNTING LAYOUT



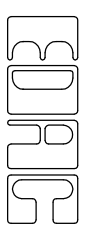
- NOTES**
- OPERATING TEMPERATURE:-25C TO +85C
 - MATERIALS:**
INSULATOR: LCP, UL94 V-0, COLOR: BLACK
CONTACT: PHOSPHOR BRONZE, WITH 10 µIN OF GOLD PLATING ON CONTACT AREA, AND GOLD FLASH ON SOLDER AREA OVER NICKEL UNDERPLATING
SHELL: STAINLESS STEEL, WITH MATTE TIN PLATING
PAD: BRASS, WITH MATTE TIN PLATING
 - MATCH WITH O-RING PART NO. M00-556-001
 - PART NO:**
690-W05-290-483
690-W05-290-783
TUBE AND REEL PACKAGING
TUBE PACKAGING (200PCS PER TUBE)



WATERPROOF MICRO USB 5P(F) SMT TYPE



THIS SERIES FULLY CONFORMS TO THE EUROPEAN UNION DIRECTIVES 2002/95/EC AND 2002/96/EC FOR ROHS COMPLIANCY.



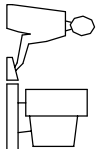
EDAC INC
TORONTO, ONTARIO
CANADA

YOUR CONNECTION TO QUALITY & SERVICE

THESE DRAWINGS AND SPECIFICATIONS ARE THE PROPERTY OF EDAC INC. AND SHALL NOT BE REPRODUCED OR COPIED OR USED AS THE BASIS FOR THE MANUFACTURE OR SALE OF APPARATUS WITHOUT WRITTEN PERMISSION.

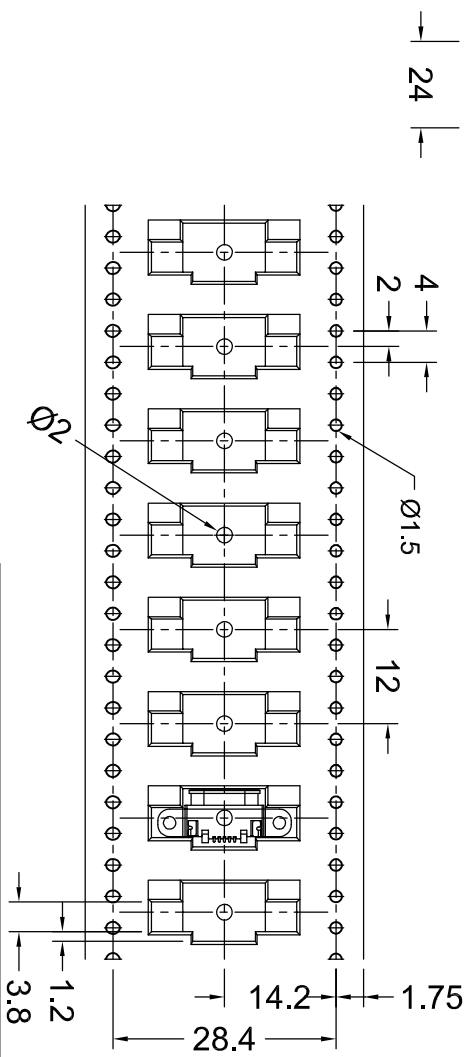
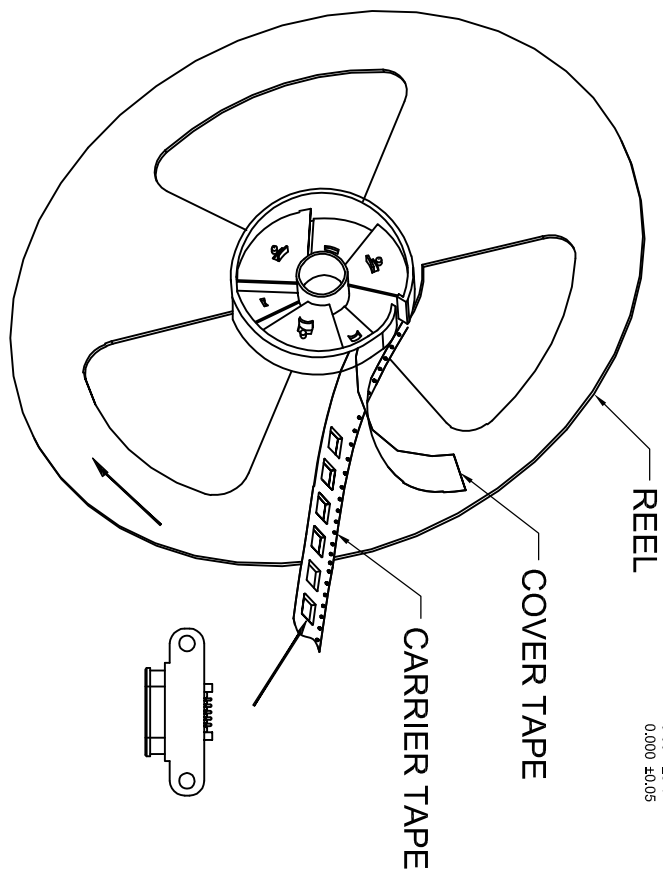
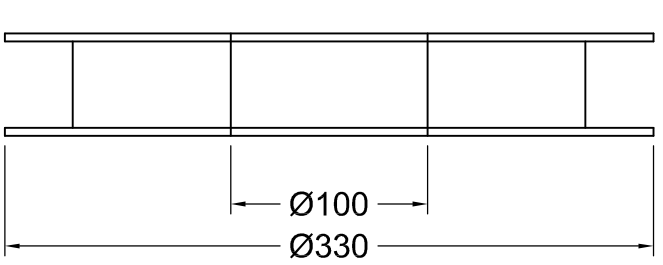
ACAD REFERENCE NO.: 690-W05-290-483	DATE: JAN.20/2014
DRAWN: R.STA.MONICA	DATE:
CHECKED:	DATE:

PART NUMBER	SEE PART NO.	SHEET 1 OF 2
DRAWING NUMBER	690-W05-290-483	ISSUE
		5

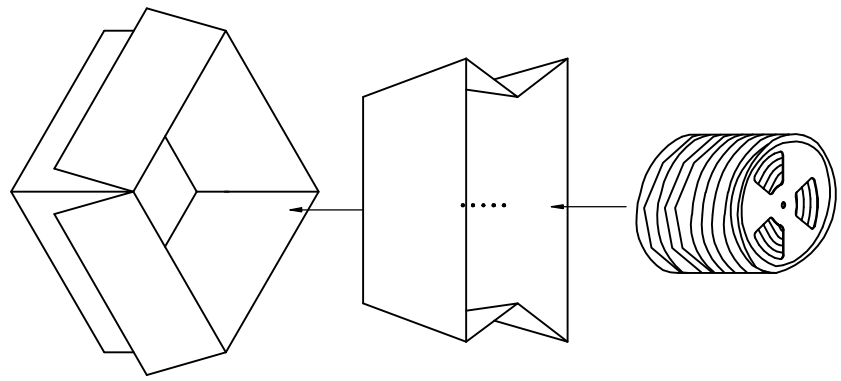


THIS IS A C.A.D. GENERATED DRAWING
DO NOT MAKE MANUAL REVISIONS TO MASTER.

TOLERANCE UNLESS OTHERWISE
SPECIFIED IN MM:
0 ±0.2
0.00 ±0.1
0.000 ±0.05



QUANTITY PER REEL: 1100 PCS

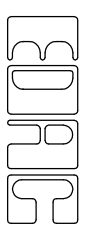


**WATERPROOF MICRO USB 5P(F) SMT TYPE
TAPE & REEL PACKAGING SPECS**

ACAD REFERENCE NO.:	690-W05-290-483
DRAWN:	R.STA.MONICA
DATE:	SEPT.16/2014
CHECKED:	DATE:
PART NUMBER	
SEE PART NO.	SHEET 2 OF 2
DRAWING NUMBER	
690-W05-290-483	ISSUE
	5



THIS SERIES FULLY CONFORMS TO THE
EUROPEAN UNION DIRECTIVES 2002/95/EC
AND 2002/96/EC FOR ROHS COMPLIANCY.



EDAC INC
TORONTO, ONTARIO
CANADA

YOUR CONNECTION TO QUALITY & SERVICE

THESE DRAWINGS AND SPECIFICATIONS
ARE THE PROPERTY OF EDAC INC. AND
SHALL NOT BE REPRODUCED OR COPIED
OR USED AS THE BASIS FOR THE
MANUFACTURE OR SALE OF APPARATUS
WITHOUT WRITTEN PERMISSION.

X-ON Electronics

Largest Supplier of Electrical and Electronic Components

Click to view similar products for [USB Connectors](#) category:

Click to view products by [EDAC](#) manufacturer:

Other Similar products are found below :

[65-647-8-BK-BU](#) [950](#) [E8144-B01021-L](#) [A-USB A-LP-SMT-C](#) [A-USB B-TOP-C](#) [MUSBA511N5](#) [MUSBD11135](#) [217450-1](#) [CA 6 W LD](#)
[KMBVX-TH-5S-B30](#) [896-30-004-00-000000](#) [KUSBVX-BS1N-W30](#) [KUSBX-AP-KIT-SCBLK](#) [KUSBX-AS2N-W](#) [KUSBX-SMT2AP1S-W](#)
[KUSBX-SMT2AP1S-W30](#) [935](#) [957](#) [30-498-6](#) [1734082-1](#) [30-1574](#) [30-470](#) [30-489](#) [30-541](#) [30-572-3](#) [MAB 8 SN V](#) [A-USB A-2P-C](#)
[MIKROE-1451](#) [USBFTV2PEM2G](#) [USBFTVC6ZN](#) [KUSBX-AS2N-W30](#) [KUSBX-SLAS1N-W](#) [KUSBX-SMT-AS1N-W30](#) [4689-1](#) [1-](#)
[1734084-2](#) [E8110-001-01](#) [MUSBA81130](#) [33UBARS1-04SW11](#) [33UBAR-04SW11](#) [USBF21ZNSCC](#) [USBBFTV6ZC](#) [10135326-001LF](#)
[M9177/3-1](#) [925](#) [4198](#) [690-024-633-031](#) [KUSBEX-BSFS1N-W](#) [USBFTVC6MRG](#) [UA-20BMFA-SL8001](#) [17-200011](#)