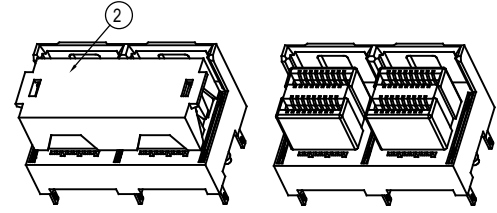
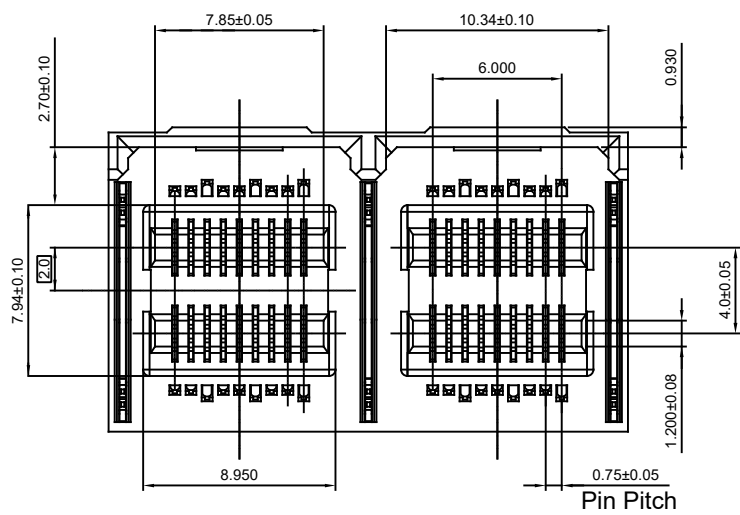
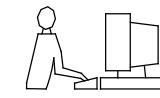


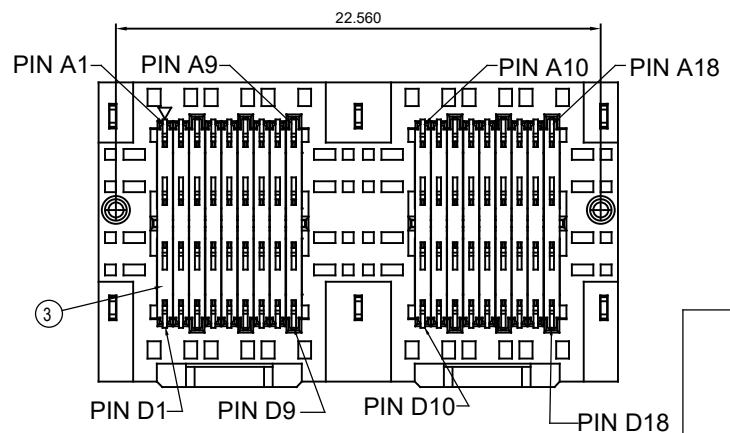
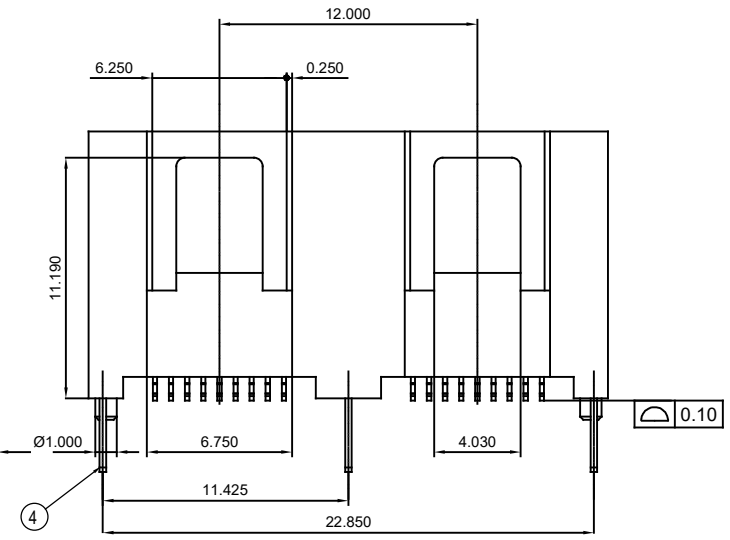
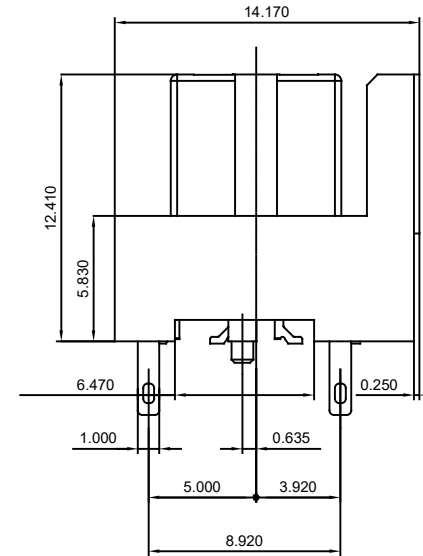
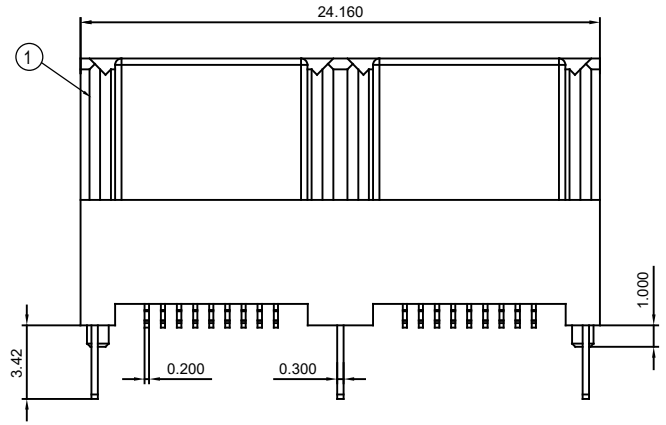
| TOLERANCE UNLESS OTHERWISE SPECIFIED |       |
|--------------------------------------|-------|
| .X                                   | ±0.35 |
| .XX                                  | ±0.25 |
| .XXX                                 | ±0.15 |

THIS IS A C.A.D. GENERATED DRAWING  
DO NOT MAKE MANUAL REVISIONS TO MASTER.



NOTES:

MATERIAL:  
HOUSING: L.C.P GLASS REINFORCED, UL-94V-0  
CAP: L.C.P GLASS REINFORCED, UL-94V-0, COLOR: BLACK  
INSERT MOLDING: L.C.P GLASS REINFORCED, UL-94V-0  
LATCH: STAINLESS STEEL, TIN (MATTE) 100~200µ  
CONTACT: COPPER ALLOY  
30 µ" GOLD PLATING ON CONTACT AREA  
MATTE TIN PLATING ON SOLDER TAIL OVER NICKEL UNDER PLATING



| 4   | LATCH          | 2    | STAINLESS STEEL                  | TIN(MATTE)100~200 µ" |
|-----|----------------|------|----------------------------------|----------------------|
| 3   | CONTACT        | 36   | COPPER ALLOY                     | SEE NOTES            |
| 3   | INSERT MOLDING | 9    | L.C.P GLASS REINFORCED, UL94 V-0 | SEE NOTES            |
| 2   | CAP            | 1    | L.C.P GLASS REINFORCED, UL94 V-0 | BLACK                |
| 1   | HOUSING        | 1    | L.C.P GLASS REINFORCED, UL94 V-0 | SEE NOTES            |
| NO. | DESCRIPTION    | QTY. | MATERIAL                         | FINISH/COLOR         |

MINI SAS HD EXTERNAL, VERTICAL SMT,  
FEMALE, 72 CONTACTS

|                                     |                     |
|-------------------------------------|---------------------|
| ACAD REFERENCE NO.: 901-072-629-002 |                     |
| DRAWN: W.T                          | DATE: JUNE.28 /2018 |
| CHECKED:                            | DATE:               |
| SCALE: N.T.S                        | SHEET 1 OF 1        |
| DRAWING NUMBER: 901-072-629-002     | ISSUE               |
| PART NUMBER: 901-072-629-002        | 1                   |



THIS SERIES FULLY CONFORMS TO THE EUROPEAN UNION DIRECTIVES 2011/65/EU FOR RoHS COMPLIANCE.



EDAC INC  
TORONTO, ONTARIO  
CANADA  
YOUR CONNECTION TO QUALITY & SERVICE

THESE DRAWINGS AND SPECIFICATIONS ARE THE PROPERTY OF EDAC INC., AND SHALL NOT BE REPRODUCED, OR COPIED OR USED AS THE BASIS FOR THE MANUFACTURE OR SALE OF APPARATUS WITHOUT WRITTEN PERMISSION.

## X-ON Electronics

Largest Supplier of Electrical and Electronic Components

*Click to view similar products for [I/O Connectors](#) category:*

*Click to view products by [EDAC](#) manufacturer:*

Other Similar products are found below :

[571763P](#) [58098-0628](#) [72.250.1628.2](#) [72.250.2428.2](#) [74720-0505](#) [76.350.0729.0](#) [76871-1403](#) [FCN-244F080-G/1](#) [FCN-260A9920](#) [MP-5T180MUNNA-005](#) [PCR-E36PM](#) [PCS-XE26MA+](#) [G38A71314B](#) [1571250010](#) [157-22500-3](#) [MS3471L14-19P L/C](#) [192991-0703](#) [172501-4002](#) [172501-6002](#) [FCN-260C008-A/L0](#) [FCN-260C024-AL0](#) [FCN-261Z008](#) [2000314-1](#) [200331-1](#) [PCR-E36FC+](#) [PCS-E28FS+](#) [PCS-XE26SLFD+](#) [PCS-XE26SLFDT+](#) [G730VID08BDC24](#) [HDR-E14MSG1+](#) [U90B2054081210](#) [UE86K842720321](#) [38113800006](#)  
[DP3AR020WQ1R200](#) [Z4.102.0680.0](#) [500-1040](#) [500-1052](#) [500-1054](#) [ZP-4008-66L](#) [0709821002](#) [DX40-20P\(55\)](#) [5554841-1](#) [MS3474W18-8P-LC\\*](#) [SM3106F14S-7S-LC](#) [U90B3054061110](#) [U65-E04-4020](#) [ZPF000000000097891](#) [557-262M2-06C](#) [747360449](#) [10099439-003C-TRLF](#)