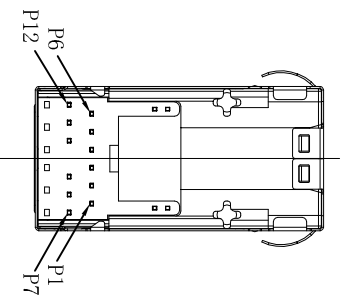
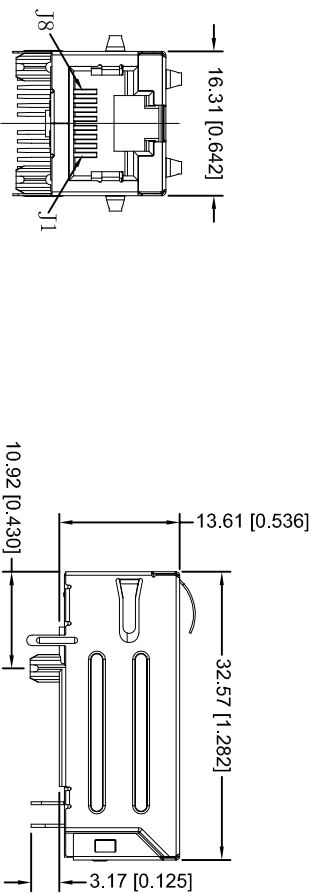


UNLESS OTHERWISE SPECIFIED, ALL DIMENSIONS TOLERANCES IS ±0.254 / 0.010.



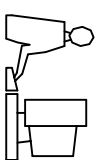
NOTES:

1. MATERIALS: HOUSING: THERMOPLASTIC, PBT, UL94 V-0, COLOR: BLACK CONTACTS: PHOSPHOR BRONZE PLATED WITH GOLD PLATING AND TIN IN SOLDER AREA

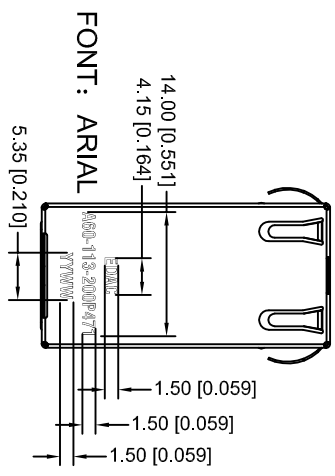
PART NO	GOLD PLATING THICKNESS
A60-112-200P471	GOLD FLASH PLATING
A60-113-200P471	15 MICRO INCHES OF GOLD
A60-114-200P471	30 MICRO INCHES OF GOLD

- SHIELD: BRASS WITH NICKEL PLATING
2. OPERATING TEMPERATURE: 0°C TO +70°C
3. STORAGE TEMPERATURE: -40°C TO +85°C
4. MATE WITH MODULAR PLUG CONFORMING TO FCC PART 68, SUBPART F.
5. RECOMMENDED TEMPERATURE FOR WAVE SOLDERING IS 260°C MAX, 10 SEC MAX
6. DIMENSION: MM [INCHES]

THIS IS A CAD GENERATED DRAWING
DO NOT MAKE MANUAL REVISIONS TO MASTER.



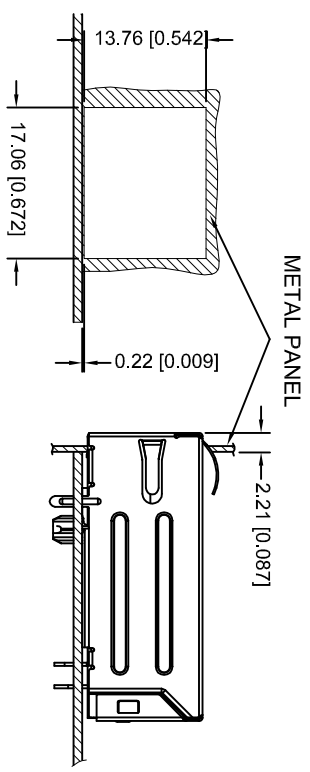
ISSUE NUMBER
ORIGINAL ①
UPDATE DRAWING R.STAMONICA SEPT.23/2011 ②
REDRAWN APR. 21/2021 ③



FONT : ARIAL

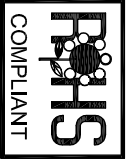
TOLERANCES: ±0.10 / 0.004
UNIT: MM / INCH

SUGGESTED PANEL OPENING:

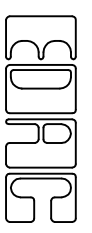


TOLERANCES: ±0.10 / 0.004
UNIT: MM / INCH

**RJ45 MAGNETIC JACK WITHOUT LED, 12P, 8C
SHIELDED, 10/100/1000 Mbps FILTER**



THIS SERIES FULLY CONFORMS TO THE EUROPEAN UNION DIRECTIVES 2011/65/EU FOR RoHS COMPLIANCY.



EDAC INC
TORONTO, ONTARIO
CANADA
YOUR CONNECTION TO QUALITY & SERVICE

THESE DRAWINGS AND SPECIFICATIONS ARE THE PROPERTY OF EDAC INC. AND SHALL NOT BE REPRODUCED OR COPIED OR USED AS THE BASIS FOR THE MANUFACTURE OR SALE OF APPARATUS WITHOUT WRITTEN PERMISSION.

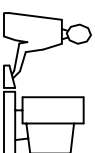
ACAD REFERENCE NO.: A60-113-200P471

DRAWN: R.STAMONICA DATE: NOV.19/2010

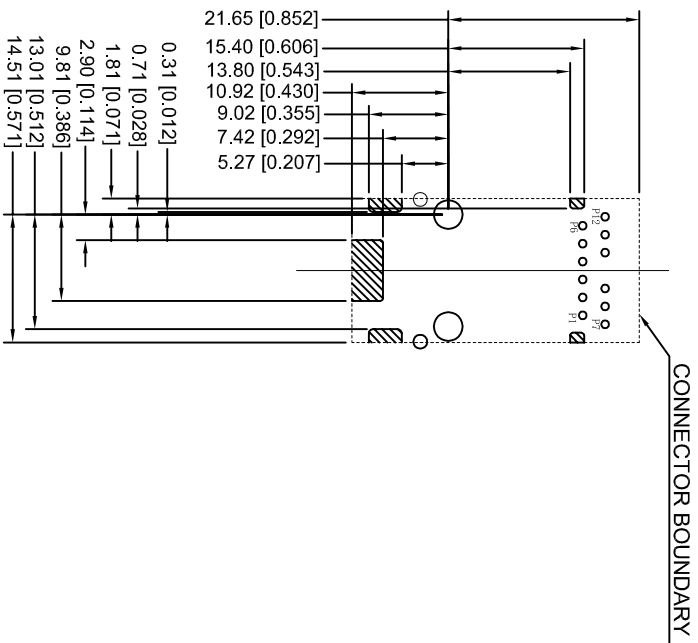
CHECKED: R.S.M. DATE: APR. 21/2021

PART NUMBER SEE NOTE SHEET 1 OF 3

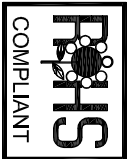
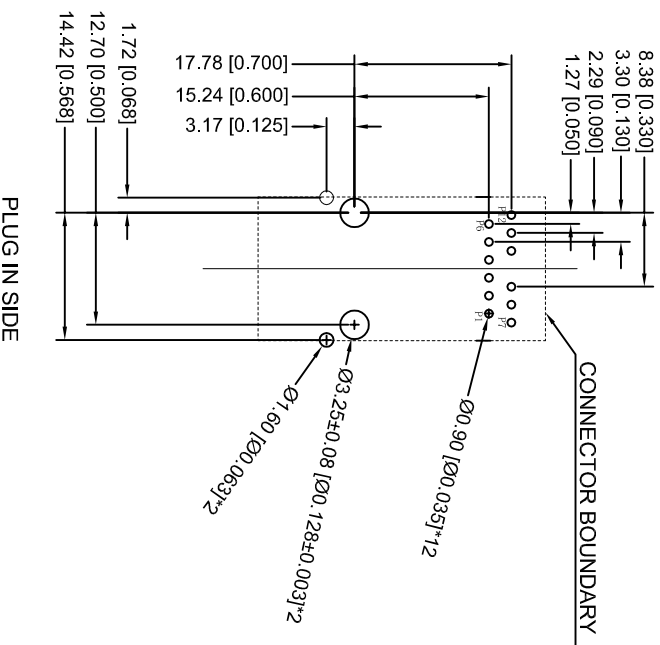
DRAWING NUMBER A60-112-200P471 ISSUE 3



KEEP-OUT AREA
(COMPONENT SIDE VIEW):



RECOMMENDED PWB LAYOUT
(COMPONENT SIDE VIEW):



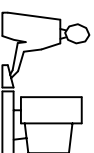
THIS SERIES FULLY CONFORMS TO
THE EUROPEAN UNION DIRECTIVES
2011/65/EU FOR RoHS COMPLIANCY.

**RJ45 MAGNETIC JACK WITHOUT LED, 12P, 8C
SHIELDED, 10/100/1000 Mbps FILTER**

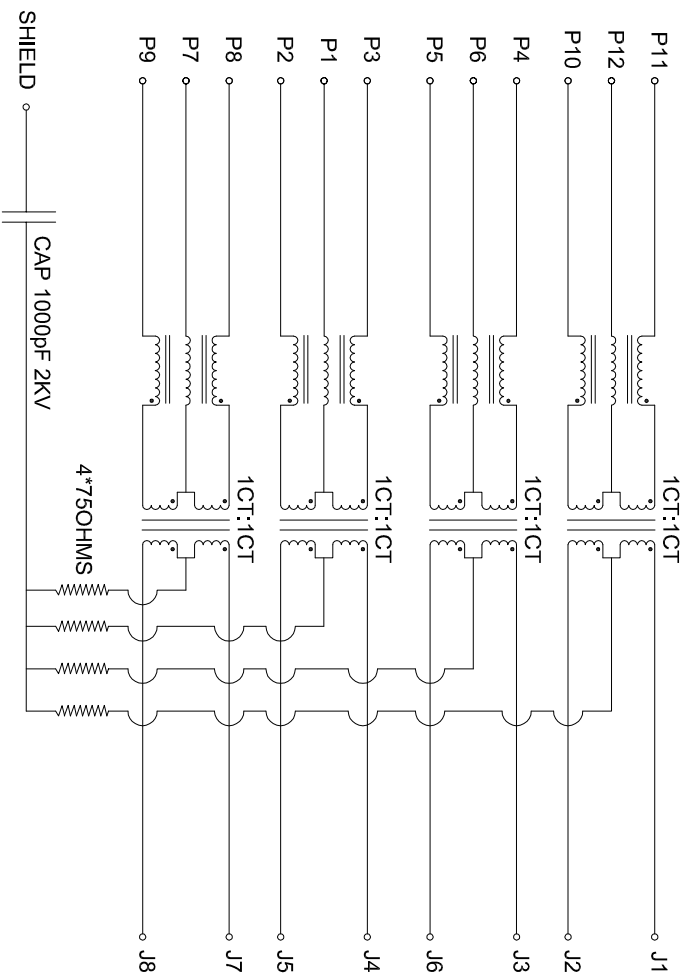
EDAC INC
TORONTO, ONTARIO
CANADA
YOUR CONNECTION TO QUALITY & SERVICE

THESE DRAWINGS AND SPECIFICATIONS
ARE THE PROPERTY OF EDAC INC. AND
SHALL NOT BE REPRODUCED OR COPIED
OR USED AS THE BASIS FOR THE
MANUFACTURE OR SALE OF APPARATUS
WITHOUT WRITTEN PERMISSION.

ACAD REFERENCE NO.: A60-113-200P471	
DRAWN: R.STA.MONICA	DATE: NOV.19/2010
CHECKED: R.S.M.	DATE: APR. 21/2021
PART NUMBER	SHEET 2 OF 3
SEE NOTE	ISSUE
DRAWING NUMBER	3
A60-112-200P471	



CIRCUIT SCHEMATIC



ELECTRIC SPECIFICATIONS

TURN RATIO @100KHZ: (P11~P10):(J1~J2) = 1:1±5%

(P4~P5):(J3~J6) = 1:1±5%

(P3~P2):(J4~J5) = 1:1±5%

(P8~P9):(J7~J8) = 1:1±5%

PRIMARY INDUCTANCE: 350UH MIN @100KHZ,0.1V 8mA DC BIAS

DC RESISTANCE: 1.2 OHMS MAX

INSERTION LOSS: 1-100MHZ -1.0Db MAX

100-125MHZ -1.2Db MAX

RETURN LOSS: 1-40MHZ -16Db MIN

40-60MHZ -12Db MIN

60-80MHZ -10Db MIN

80-100MHZ -8Db MIN

CROSS TALK: 1-100MHZ -30Db MIN

COMMON TO COMMON MODE ATTENUATION: 1-100MHZ -30Db MIN

ISOLATION: PHY SIDE TO LINE SIDE: 2250VDC

**RJ45 MAGNETIC JACK WITHOUT LED, 12P, 8C
SHIELDED, 10/100/1000 Mbps FILTER**

ACAD REFERENCE NO.: A60-113-200P471

DRAWN: R.STAMONICA DATE: NOV.19/2010

CHECKED: R.S.M. DATE: APR. 21/2021

PART NUMBER

SEE NOTE

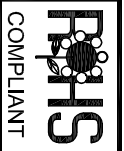
SHEET 3 OF 3

DRAWING NUMBER

A60-112-200P471

ISSUE

3



THIS SERIES FULLY CONFORMS TO
THE EUROPEAN UNION DIRECTIVES
2011/65/EU FOR RoHS COMPLIANCY.



EDAC INC
TORONTO, ONTARIO
CANADA
YOUR CONNECTION TO QUALITY & SERVICE

X-ON Electronics

Largest Supplier of Electrical and Electronic Components

Click to view similar products for [Modular Connectors](#) / [Ethernet Connectors](#) category:

Click to view products by [EDAC](#) manufacturer:

Other Similar products are found below :

[8949-H88/06BLKA/SN](#) [74441-0010/BKN](#) [MP1010RX-1000](#) [MP44RX-1000](#) [PHJ-4P4C-1-V-4](#) [PHP-6P6C-5](#) [GAX-3-66](#) [GAX-8-62](#) [GDCX-PA-66-50](#) [GDCX-PN-64](#) [GDCX-PN-66](#) [GDCX-PN-66-50](#) [GDLX-A-66](#) [GDLX-N-66](#) [GDLX-S-66](#) [GDLX-S-88K](#) [GDTX-S-88-50](#) [GDX-PA-1010](#) [GLX-N-1010M-BLK](#) [GLX-S-88M-BLK](#) [GMX-N-1010](#) [GMX-S-1010](#) [GMX-S-66](#) [GMX-SMT4-N-88](#) [GPX-2-64](#) [GSGX-N-2-88](#) [GSGX-N-4-88](#) [GSX-NS2-88-3.05-50](#) [PT-108A-8C-UL](#) [PT-J951-8C](#) [PTS-J531-8CS-50UL](#) [1-1775629-2](#) [A-2014-0-4](#) [GWLX-S-88-GR](#) [GWLX-S9-88-YG](#) [DC-1021-8-WH-6](#) [1300530003](#) [1324640-4](#) [RJ11FTVC2G](#) [RJ11FTVC2N](#) [RJFTVX2SA1G](#) [132764-001](#) [1413235](#) [MP88X-1000](#) [MPS88RX-5000](#) [MRJR-5481-0F2](#) [E5288-S000K3-L](#) [E5908-15A242-L](#) [155302-001](#) [AX100653](#)