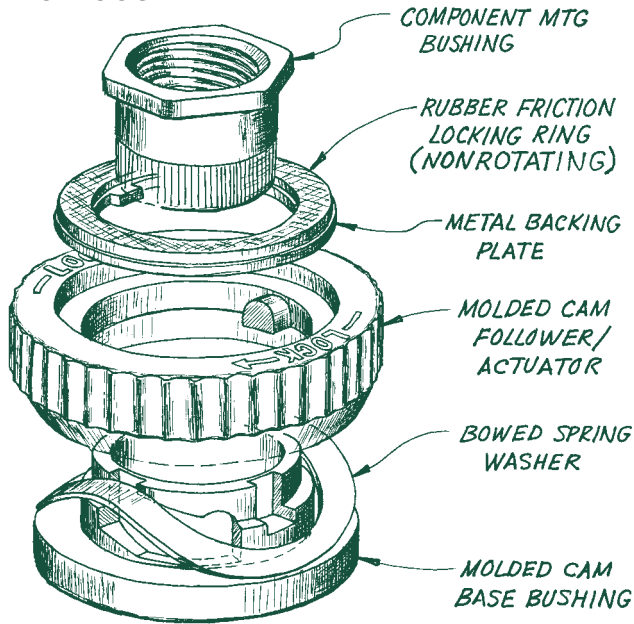


## Knob Locking Devices

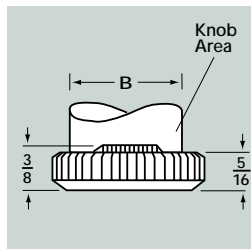


Knob Locks are positive friction locking devices for holding precise or critical control settings under conditions of shock and vibration. They are also useful where there is danger of accidental jarring or manual contact. Special splash-proof versions feature molded rubber inserts which prevent water leakage down into the control and also serve as dust seals.

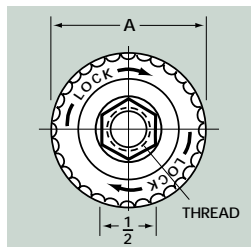
- Positive friction locking system
- Resists shock, vibration, or accidental movement
- Tested under salt spray, humidity, and temperature conditions
- Occupies minimum panel space
- Used with standard off-the-shelf control knobs, .700, .900 and 1.250 diameter knobs
- No special mounting hardware or tools required
- Special water and dust-tight models available
- Made of highest quality materials
- Available in three sizes in either mirror or matte finish



Standard



Spl ash Proof



### Part Number

	MS91528	Type	Finish	Overall Diam. A	Overall Diam. B	Thread	
<b>.700 Diam. Knob</b>							
	KL701	Standard	Mirror	1"	.721	3/8-32	
	KL701G	1CC2B	Standard	Matte	1"	.721	3/8-32
	KL702	Standard	Mirror	1"	.721	1/4-32	
	KL702G	1CC2G	Standard	Matte	1"	.721	1/4-32
	KL703	Splash Proof	Mirror	1"	.721	3/8-32	
	KL703G	1DD2B	Splash Proof	Matte	1"	.721	3/8-32
<b>.900 Diam. Knob</b>							
	KL901	Standard	Mirror	1-5/16"	.928	3/8-32	
	KL901G	2CC2B	Standard	Matte	1-5/16"	.928	3/8-32
	KL902	Splash Proof	Mirror	1-5/16"	.928	3/8-32	
	KL902G	2DD2B	Splash Proof	Matte	1-5/16"	.928	3/8-32
<b>1.250 Diam. Knob</b>							
	KL1251	Standard	Mirror	1-5/8"	1.269	3/8-32	
	KL1251G	3CC2B	Standard	Matte	1-5/8"	1.269	3/8-32
	KL1252	Splash Proof	Mirror	1-5/8"	1.269	3/8-32	
	KL1252G	3DD2B	Splash Proof	Matte	1-5/8"	1.269	3/8-32

The above MS91528 designations are for reference only.

Series of knobs used in conjunction with knob lock are MS91528, EH71 and Contemporary.



Style KL701  
.70 Diam. Knob

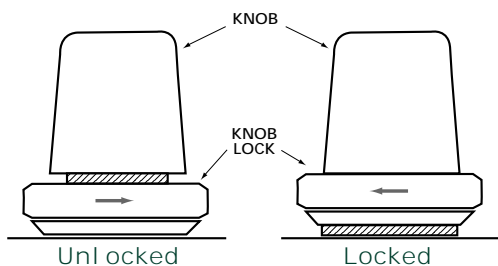


Style KL901  
.90 Diam. Knob



Style KL1251  
1.25 Diam. Knob

## Operation & Installation



An eighth turn of the fluted skirt locks the control knob by forcing a rubber bushing against its lower surface. A critical control setting is not affected. An eighth turn to the left frees the knob to rotate freely. Used primarily with potentiometers and similar variable controls, knob locks mount directly to threaded control bushings replacing the nuts and lock washers usually supplied.



## **X-ON Electronics**

Largest Supplier of Electrical and Electronic Components

*Click to view similar products for [Knobs & Dials](#) category:*

*Click to view products by [EHC](#) manufacturer:*

Other Similar products are found below :

[790-1030](#) [790-1202](#) [790-2226](#) [8519](#) [8529](#) [8547](#) [85-559](#) [8573](#) [11K5015-EMNB](#) [11K5048-KMNB](#) [11K5015-EMNG](#) [1770](#) [P400S-08-D6-N](#)  
[K6510](#) [3045B](#) [AR22PY-122B](#) [PKJ50B18](#) [277A](#) [348003](#) [42000B38](#) [420114B14](#) [5006](#) [56008-001](#) [411](#) [420037B14](#) [WA-101C-P](#) [WA-102B](#)  
[WA-103](#) [WA-109B](#) [WA-1450-P](#) [WA-1550](#) [WA-1600-P](#) [WA-2300](#) [WA-4100](#) [WA-4108-P](#) [52-928.20](#) [52-928.60](#) [52-928.9](#) [8545](#) [8572](#) [WA-](#)  
[4104](#) [WA-4103](#) [WA-1202](#) [WA-104B](#) [WA-103B](#) [WA-102](#) [6126](#) [MS91528-0N1B](#) [790-1208](#) [790-1370-MS](#)