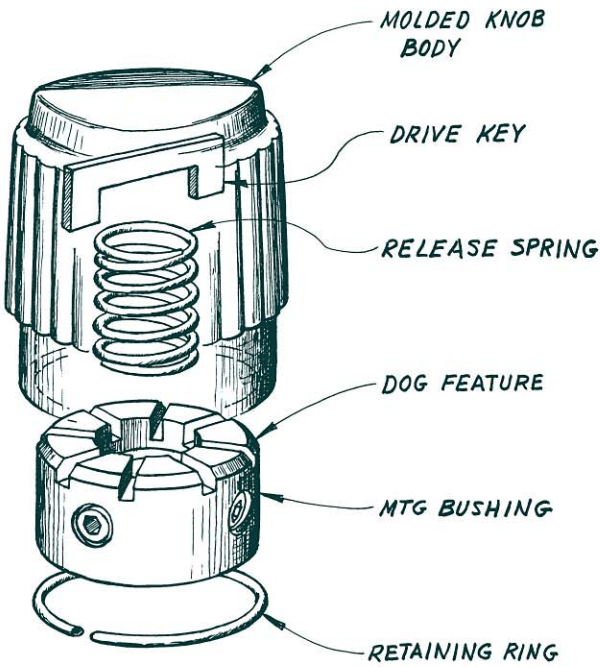


LOCKING KNOB

PUSH-TO-TURN KNOB



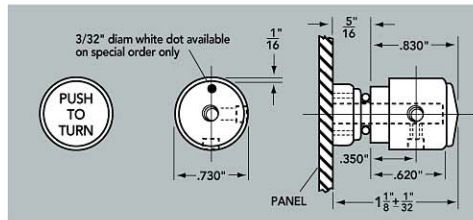
70 SERIES SELF LOCKING PUSH-TO-TURN DEVICE

Push-to-Turn: Knob turns freely until depressed. A positive dog-style coupling transmits rotary motions disengaging automatically when released.

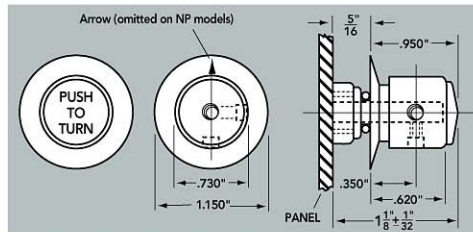
- Resists shock, vibration, or accidental movement
- Must be fully depressed to set
- Positive locking with infinite resolutions—zero backlash
- Ease of setting; one-hand operation
- Designed for MS91528 and EH71 style knobs
- Free to rotate in unengaged mode
- Not recommended for use with calibration marking

Part Number	To COMPLETE PART NUMBER							
	A Diam.	B Height	C Shaft	D Set Screw	E Dial Diam.	Style	Shaft Hole	Finish
PTE70	.730	.830	.620	.425	—	2	1	None
	.730	.950	.620	.460	1.150	3NP	2	G

ROUND RING SKIRT



ROUND DIAL SKIRTED



ORDERING GUIDE FOR DESIGNER SERIES

Cap Design and Diameter	Style	Shaft Hole Diameter	Finish (Black)
Indicate Part Number from Tables Above	2- Ring Skirt 3- Dial w. Pointer 3NP- Dial No Pointer	1- 1/8" Round 2- 1/4" Round	None- Gloss G- Matte

To order special colors contact our factory.

EXAMPLE: PTE70-3NP-1G

Cap Design Series	Style Dial-No Pointer	Shaft Hole .125"	Color Matte Black
PTE70-	3NP-	1	G

INSTALLATION INSTRUCTIONS

POTENTIOMETER

Remove nut supplied—it will not be required.*

Use the lockwasher supplied and make sure it is placed on the threaded portion of the shank of the potentiometer, so as to be against the back surface of the panel as the shaft is fed through the clearance hold in the panel.

Mount the shaft lock by sliding the unit down over the shaft, plastic nut portion facing the end of the shaft, so as to engage the external threaded part of the potentiometer with the internal threaded insert in the shaft lock. (Shaft lock supplied with unit.)

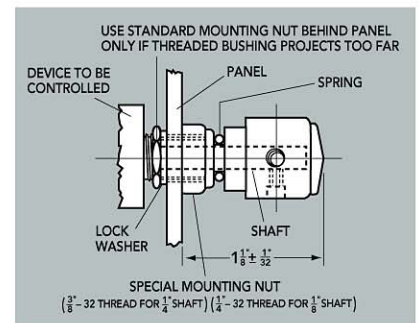
KNOB

Place spring, supplied, on potentiometer shaft section protruding beyond shaft lock.

Place knob on shaft and depress knob until it is seated with spring compressed. Use a #4-40 setscrew wrench (key) to tighten exposed setscrew until knob insert is firmly assembled to shaft.

Release knob to free engagement. Rotate knob 90° (ninety degrees) and depress knob to locate second setscrew. Hold knob in this position. Tighten this setscrew to complete the assembly to insert to shaft. Release knob. Unit is now properly assembled.

*When mounting special nut, it is sometimes advisable to mount the standard mounting nut behind the panel if the control's threaded bushing projects too far.



X-ON Electronics

Largest Supplier of Electrical and Electronic Components

Click to view similar products for [ehc manufacturer](#):

Other Similar products are found below :

[PVS-25B-2](#) [3488-2B](#) [DS125-6-2G](#) [MS91528-0E1B](#) [EH71-1P2S](#) [PV-32B-2](#) [EH71-4C2S](#) [MS91528-3F2B](#) [409P2B](#) [3489-1-B](#) [MS91528-1K2S](#)
[PB-12B-1](#) [EH71-3F2S](#) [EH71-0K1S](#) [407R2B](#) [MS91528-3R2B](#) [409D2B](#) [EH71-4E2S](#) [EH71-1DSB2S](#) [409PD2B](#) [EH71-0C1S](#) [MS91528-](#)
[OD1B](#) [MS91528-1K1B](#) [EH710NP1S](#) [EH71-1D2S](#) [MS91528-4S2B](#) [EH71-3C2S](#) [MS91528-1B2B](#) [3442-2-B](#) [3441-2-B](#) [3440-1-B](#) [MS91528-](#)
[4F2B](#) [EH71-2C2S](#) [407D2B](#) [3008-1-B](#) [MS91528-0F1B](#) [MS91528-1D1B](#) [MS91528-2F2B](#) [PC1F2B](#) [MS91528-1D2B](#) [MS91528-1II2B](#)
[MS91528-1F2S](#) [3008-2-B](#) [MS91528-1P2S](#) [3010-2-B](#) [EH712F2S](#) [EH71-2P2S](#) [MS91528-2P2B](#) [MS91528-2D2B](#) [EH71-1GG2S](#)