

(2.00 mm) .0787"

EHT, EC2 SERIES

# SHROUDED IDC EJECTOR HEADER

## SPECIFICATIONS

For complete specifications and recommended PCB layouts see [www.samtec.com?EHT](http://www.samtec.com?EHT)

**Insulator Material:**  
Black Liquid Crystal Polymer  
**Terminal Material:**  
Phosphor Bronze  
**Plating:**  
Sn or Au over  
50 μm (1.27 μm) Ni  
**Operating Temp Range:**  
-55 °C to +125 °C  
**RoHS Compliant:**  
Yes

## PROCESSING

**Lead-Free Solderable:**  
Yes  
**SMT Lead Coplanarity:**  
(0.10 mm) .004" max

## RECOGNITIONS

For complete scope of recognitions see [www.samtec.com/quality](http://www.samtec.com/quality)



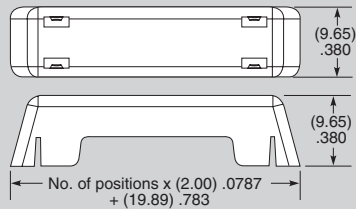
## ALSO AVAILABLE (MOQ Required)

- Other platings

Mates with:  
TCSD

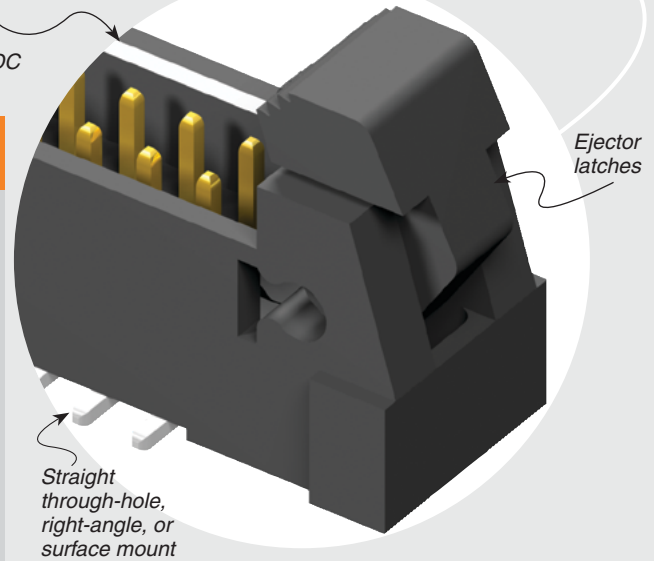
Ten standard sizes mate with common 2 mm IDC cable assemblies

### EJECTOR HEADER CAP (Locks TCSD cable to EHT header)



EC2 — NO. PINS PER ROW

05, 08, 10, 12, 13, 15, 17, 20, 22, 25



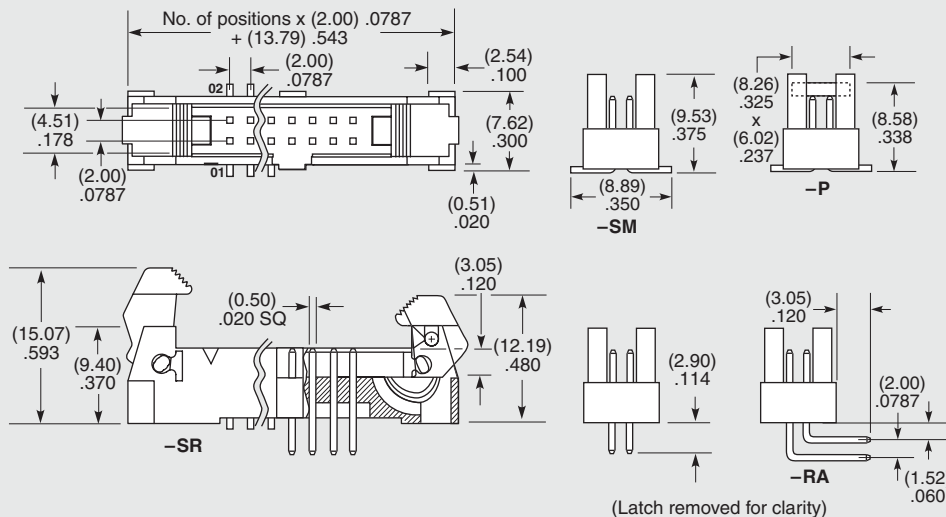
EHT — 1 NO. PINS PER ROW — 01 — PLATING OPTION — D — TAIL OPTION — OTHER OPTION

05, 08, 10, 12, 13, 15, 17, 20, 22, 25

—F = Gold flash on post, Matte Tin on tail  
—L = 10 μm (0.25 μm) Gold on post, Matte Tin on tail

Leave blank for Through-hole  
—RA = Right-angle  
—SM = Surface Mount

—“XX” = Polarized Position  
—SR = Strain Relief (Leave Blank for no strain relief)  
—LC = Locking Clip (—SM only) (Manual placement required)  
—K = (6.50 mm) .256" DIA Polyimide Film Pick & Place Pad (—SM only)  
—P = Pick & Place Pad (—SM only)  
—TR = Tape & Reel (—SM only)



**Note:** Some lengths, styles and options are non-standard, non-returnable.

Due to technical progress, all designs, specifications and components are subject to change without notice.

[WWW.SAMTEC.COM](http://WWW.SAMTEC.COM)

All parts within this catalog are built to Samtec's specifications. Customer specific requirements must be approved by Samtec and identified in a Samtec customer-specific drawing to apply.

## X-ON Electronics

Largest Supplier of Electrical and Electronic Components

*Click to view similar products for [Headers & Wire Housings](#) category:*

*Click to view products by [Samtec](#) manufacturer:*

Other Similar products are found below :

[95000-104TRLF](#) [10135584-644402LF](#) [DF62W-EP2022PCA](#) [95000-106TRLF](#) [DF62W-2022SCA](#) [DF62W-EP2022PC](#) [2203348](#) [DF62W-2022SC](#) [1084018](#) [1029039](#) [1084017](#) [802-10-012-10-002000](#) [1112640](#) [1112639](#) [000-34000](#) [0009482033](#) [0009507031](#) [57102-S06-03LF](#) [57202-S52-04LF](#) [PCN6-15S-2.5E](#) [0039019024](#) [58102-G61-06LF](#) [582553-1](#) [0009485154](#) [0009508121](#) [0022285053](#) [0050291907](#) [018731A](#) [LY20-4P-DT1-P1E-BR](#) [02.125.8002.8](#) [60101931](#) [60598-1 \(Cut Strip\)](#) [M1625-3R/100](#) [61062-3](#) [61082-181009](#) [636-1427](#) [638009-1](#) [641938-9](#) [641991-4](#) [644168-1](#) [647662-1](#) [65039-019ELF](#) [65781-018](#) [65781-047](#) [65817-002LF](#) [65817-015LF](#) [65863-015LF](#) [66207-023LF](#) [67016-026LF](#) [67046-001LF](#)