

MM1Z2V2 - MM1Z75

V_Z : 2.2 to 75 V

P_D : 500 mW

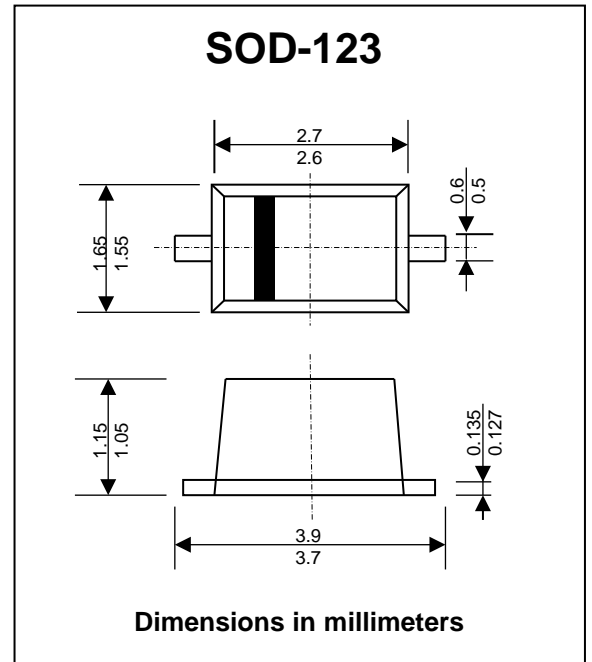
FEATURES :

- * Total Power Dissipation 500 mW
- * Wide Zener Reverse Voltage Range 2.2 V to 75 V
- * Package Designed for Optimal Automated Board Assembly
- * Small Package Size for High Density Applications
- * Pb / RoHS Free

MECHANICAL DATA :

- * Case : SOD-123
- * Weight : 0.01 gram (approximately)

ZENER DIODES



Maximum Ratings and Thermal Characteristics

Rating at 25 °C ambient temperature unless otherwise specified.

Parameter	Symbol	Value	Unit
Total Power Dissipation	P_{tot}	500	mW
Maximum Forward Voltage at $I_F = 10$ mA	V_F	0.9	V
Thermal Resistance Junction to Ambient Air	$R_{\theta JA}$	340	°C/W
Junction Temperature Range	T_J	150	°C
Storage Temperature Range	T_{STG}	-55 to + 150	°C



ELECTRICAL CHARACTERISTICS

TYPE NO.	Marking	Zener Voltage ⁽²⁾			Test Current I_{ZT} (mA)	Dynamic Impedance ⁽³⁾		Max. Reverse Leakage Current		Temp. Coefficient of Zener Voltage	
		V_Z @ I_{ZT} (V)				Z_{ZT} @ I_{ZT}		I_R @ V_R		TK _{VZ} (%/K)	
		Min.	Nom.	Max.	(Ω)	(mA)	(μA)	(V)	Min.	Max.	
MM1Z2V2	4B	2.08	2.2	2.33	5	100	5	120	0.7	-0.09	-0.06
MM1Z2V4	4C	2.28	2.4	2.56	5	100	5	120	1.0	-0.09	-0.06
MM1Z2V7	4D	2.5	2.7	2.9	5	110	5	120	1.0	-0.09	-0.06
MM1Z3V0	4E	2.8	3.0	3.2	5	120	5	50	1.0	-0.08	-0.05
MM1Z3V3	4F	3.1	3.3	3.5	5	130	5	20	1.0	-0.08	-0.05
MM1Z3V6	4H	3.4	3.6	3.8	5	130	5	10	1.0	-0.08	-0.05
MM1Z3V9	4J	3.7	3.9	4.1	5	130	5	5	1.0	-0.08	-0.05
MM1Z4V3	4K	4.0	4.3	4.6	5	130	5	5	1.0	-0.06	-0.03
MM1Z4V7	4M	4.4	4.7	5.0	5	130	5	2	1.0	-0.05	+0.02
MM1Z5V1	4N	4.8	5.1	5.4	5	130	5	2	1.5	-0.02	+0.02
MM1Z5V6	4P	5.2	5.6	6.0	5	80	5	1	2.5	-0.05	+0.05
MM1Z6V2	4R	5.8	6.2	6.6	5	50	5	1	3.0	0.03	0.06
MM1Z6V8	4X	6.4	6.8	7.2	5	30	5	0.5	3.5	0.03	0.07
MM1Z7V5	4Y	7.0	7.5	7.9	5	30	5	0.5	4.0	0.03	0.07
MM1Z8V2	4Z	7.7	8.2	8.7	5	30	5	0.5	5.0	0.03	0.08
MM1Z9V1	5A	8.5	9.1	9.6	5	30	5	0.5	6.0	0.03	0.09
MM1Z10	5B	9.4	10	10.6	5	30	5	0.1	7.0	0.03	0.1
MM1Z11	5C	10.4	11	11.6	5	30	5	0.1	8.0	0.03	0.11
MM1Z12	5D	11.4	12	12.7	5	35	5	0.1	9.0	0.03	0.11
MM1Z13	5E	12.4	13	14.1	5	35	5	0.1	10	0.03	0.11
MM1Z15	5F	13.8	15	15.6	5	40	5	0.1	11	0.03	0.11
MM1Z16	5H	15.3	16	17.1	5	40	5	0.1	12	0.03	0.11
MM1Z18	5J	16.8	18	19.1	5	45	5	0.1	13	0.03	0.11
MM1Z20	5K	18.8	20	21.2	5	50	5	0.1	15	0.03	0.11
MM1Z22	5M	20.8	22	23.3	5	55	5	0.1	17	0.04	0.12
MM1Z24	5N	22.8	24	25.6	5	60	5	0.1	19	0.04	0.12
MM1Z27	5P	25.1	27	28.9	5	70	2	0.1	21	0.04	0.12
MM1Z30	5R	28.0	30	32.0	5	80	2	0.1	23	0.04	0.12
MM1Z33	5X	31.0	33	35.0	5	80	2	0.1	25	0.04	0.12
MM1Z36	5Y	34.0	36	38.0	5	90	2	0.1	27	0.04	0.12
MM1Z39	5Z	37.0	39	41.0	2.5	100	2	2	30	0.04	0.12
MM1Z43	6A	40.0	43	46.0	2.5	130	2	2	33	0.04	0.12
MM1Z47	6B	44.0	47	50.0	2.5	150	2	2	36	0.04	0.12
MM1Z51	6C	48.0	51	54.0	2.5	180	2	1	39	0.04	0.12
MM1Z56	6D	52.0	56	60.0	2.5	180	2	1	43	0.04	0.12
MM1Z62	6E	58.0	62	66.0	2.5	200	2	0.2	47	0.04	0.12
MM1Z68	6F	64.0	68	72.0	2.5	250	2	0.2	52	0.04	0.12
MM1Z75	6H	70.0	75	79.0	2.5	300	2	0.2	57	0.04	0.12

Notes :

- (1) The type number shown have a standard tolerance of ±5% on the nominal Zener Voltage.
- (2) V_Z is tested with pulses (20ms).
- (3) V_Z is measured at I_Z by given a very small A.C. current signal.

X-ON Electronics

Largest Supplier of Electrical and Electronic Components

Click to view similar products for [Zener Diodes](#) category:

Click to view products by [EIC Semiconductor](#) manufacturer:

Other Similar products are found below :

[RKZ13B2KG#P1](#) [DL5234B](#) [EDZTE6113B](#) [1N4682](#) [1N4691](#) [1N4693](#) [1N4732A](#) [1N4736A](#) [1N4750A](#) [1N4759ARL](#) [1N5241B](#) [1N5365B](#)
[1N5369B](#) [1N747A](#) [1N959B](#) [1N964B](#) [1N966B](#) [1N968B](#) [1N972B](#) [NTE5121A](#) [NTE5147A](#) [NTE5152A](#) [NTE5155A](#) [NTE5164A](#)
[JANS1N4974US](#) [JANTX1N5907](#) [1N4692](#) [1N4700](#) [1N4702](#) [1N4704](#) [1N4711](#) [1N4714](#) [1N4737A](#) [1N4745ARL](#) [1N4752A](#) [1N4752ARL](#)
[1N4760ARL](#) [1N5221B](#) [1N5231B-TR](#) [1N5236B](#) [1N5241BTR](#) [1N5242BTR](#) [1N5350B](#) [1N5352B](#) [1N961BRR1](#) [1N964BRL](#) [RKZ5.1BKU#P6](#)
[3SMAJ5946B-TP](#) [3SMAJ5950B-TP](#) [3SMBJ5925B-TP](#)