

RB521S-30

SCHOTTKY BARRIER DIODE

PRV : 30 Volts

I_O : 200 mA

FEATURES :

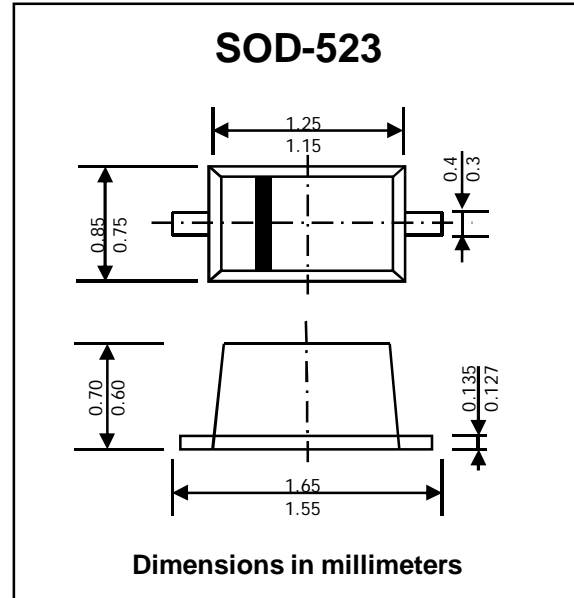
- * Extremely small surface mounting type
- * High reliability
- * Pb / RoHS Free

APPLICATIONS :

- * Low current rectification

MECHANICAL DATA :

- * Lead finish : 100% Matte Sn (Tin)
- * Mounting position : Any
- * Qualified max reflow temperature : 260 °C



Maximum Ratings and Thermal Characteristics (T_a = 25 °C)

Parameter	Symbol	VALUE	Unit
Maximum DC Reverse Voltage	V _R	30	V
Mean Rectifying Current	I _O	200	mA
Maximum Peak Forward Surge Current	I _{FSM}	1.0	A
Junction Temperature	T _J	125	°C
Storage temperature range	T _{STG}	-40 to + 125	°C

Electrical Characteristics (T_a = 25 °C)

Parameter	Symbol	Test Condition	Min	Typ	Max	Unit
Reverse Current	I _R	V _R = 10 V	-	-	30	μA
Forward Voltage	V _F	I _F = 200 mA	-	-	0.5	V

RATING AND CHARACTERISTIC CURVES (RB521S-30)

FIG.1 - DERATING CURVE

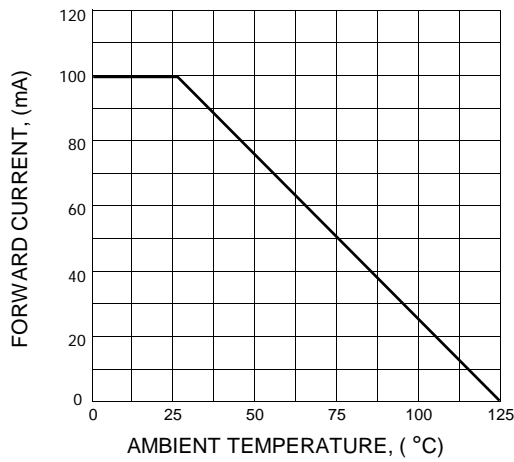


FIG.2 - CAPACITANCE BETWEEN TERMINALS CHARACTERISTICS

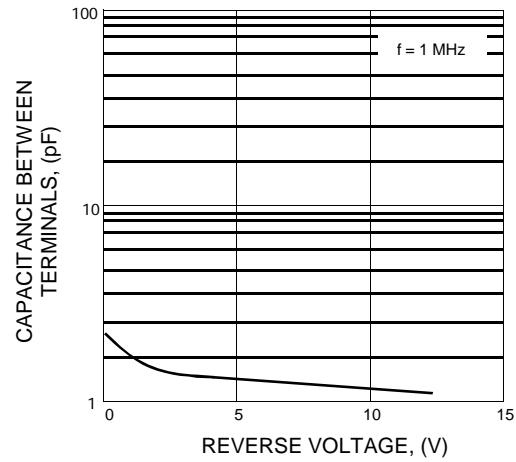


FIG.3 - TYPICAL FORWARD CHARACTERISTICS

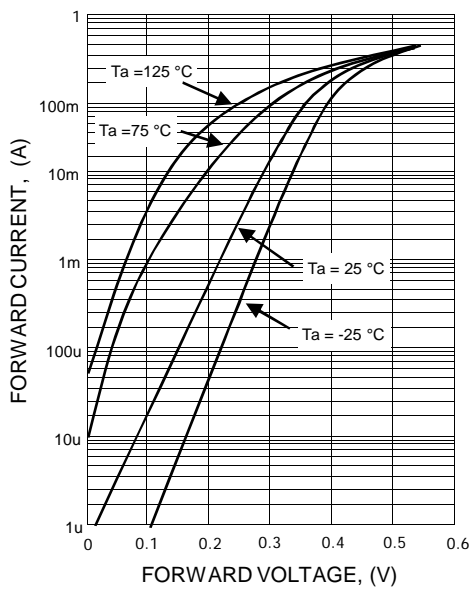
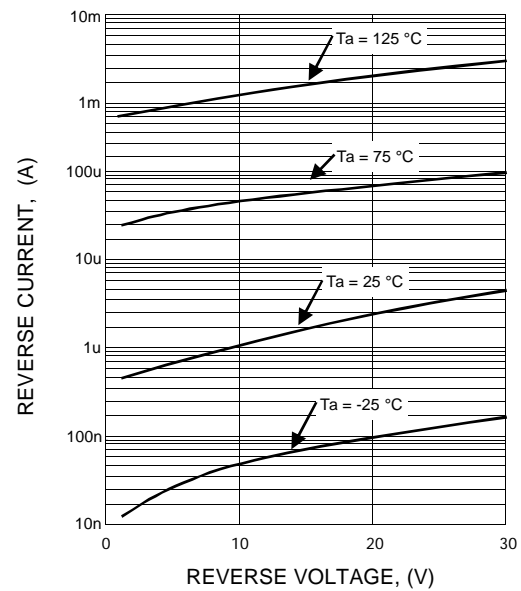


FIG. 4 - TYPICAL REVERSE CHARACTERISTICS



X-ON Electronics

Largest Supplier of Electrical and Electronic Components

Click to view similar products for [Schottky Diodes & Rectifiers](#) category:

Click to view products by [EIC Semiconductor](#) manufacturer:

Other Similar products are found below :

[MA4E2039](#) [MMBD301M3T5G](#) [RB160M-50TR](#) [D83C](#) [BAS16E6433HTMA1](#) [BAS 3010S-02LRH E6327](#) [BAT 54-02LRH E6327](#)
[NRVBAF360T3G](#) [NSR05F40QNXT5G](#) [NTE555](#) [JANS1N6640](#) [SS3003CH-TL-E](#) [GA01SHT18](#) [CRS10I30A\(TE85L,QM](#) [MBRA140TRPBF](#)
[MBRB30H30CT-1G](#) [BAT 15-04R E6152](#) [JANTX1N5712-1](#) [DMJ3940-000](#) [SB007-03C-TB-E](#) [NRVBB20100CTT4G](#) [NRVBM120LT1G](#)
[NTSB30U100CT-1G](#) [CRG04\(T5L,TEMQ\)](#) [ACDBA1100LR-HF](#) [ACDBA1200-HF](#) [ACDBA240-HF](#) [ACDBA3100-HF](#) [CDBQC0530L-HF](#)
[ACDBA260LR-HF](#) [ACDBA1100-HF](#) [10BQ015-M3/5BT](#) [NRVBM120ET1G](#) [VSSB410S-M3/5BT](#) [1N5819T-G](#) [PDS1040Q-13](#) [B160BQ-13-F](#)
[SDM05U20CSP-7](#) [BAS 70-07 E6433](#) [B140S1F-7](#) [HSM560Je3/TR13](#) [DDB2265-000](#) [ZHCS506QTA](#) [HSM190Je3/TR13](#) [B330AF-13](#)
[ACDBUC0230-HF](#) [SDM1U100S1F-7](#) [MBR10200CTF-G1](#) [CDLL5712](#) [DMF2822-000](#)