

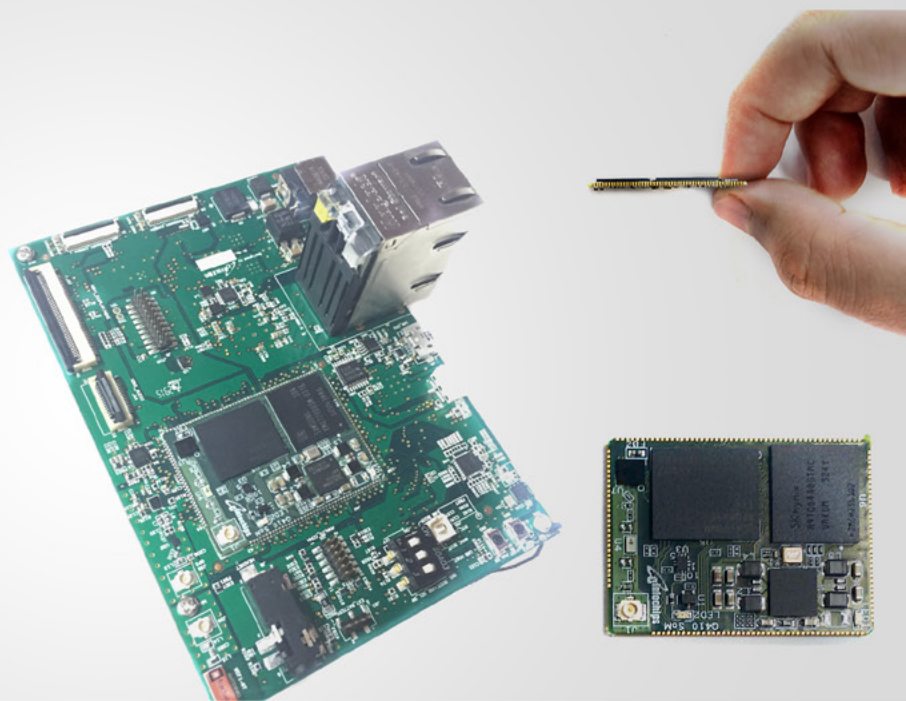
Eragon 410 SOM | Development Kit



Based on the Qualcomm® Snapdragon™ 410 Processor

Qualcomm®
snapdragon 

eragon
410



Snapdragon Official Licensee

eInfochips is an official licensee for the Qualcomm® Snapdragon™ 410 processor, a product of Qualcomm Technologies, Inc. (QTI), enabling us to have direct support from QTI for product design and development. We also have access to proprietary technology and code components.

eInfochips Eragon 410 SoM

The Eragon 410 SoM is a cost effective, ultra-small form factor (35mm x 26mm) module based on the Snapdragon 410 processor, to kick-start solutions requiring low power connectivity and multimedia along with solid processing power. The SoM offers on-chip eMCP memory (1GB LPDDR3 + 4GB eMMC) with major interfaces over edge connectors.

eInfochips also provides state of the art connector less carrier board that interfaces SOM via edge castellation. This design provides an added cost and size benefit to avoid additional mechanical provisions for vibrations.

eInfochips Advantages

- 20 years of experience in system design
- 1400+ professionals for HW and SW design
- 30+ B\$ corporations as customers
- 10 design centres in USA and India
- 500+ products across applications
- 200+ designs on Android and Linux
- ISO 9001 and CMMi L3 compliant processes

eInfochips Design Services

With the experience of 500 product designs and comprehensive expertise on Qualcomm Snapdragon processors, eInfochips is an ideal partner for efficient and high performance designs. Our strong ecosystem for manufacturing can enable turnkey solutions with a single point engineering responsibility.

Snapdragon 410

Qualcomm Snapdragon 410 is based on a 64 bit quad-core ARM® Cortex® A53 for advanced computing. It comprises of Qualcomm® Adreno™ 306 GPU with support for advanced APIs, including OpenGL ES 3.0, OpenCL, DirectX, and content security along with Qualcomm® Quick Charge™ 2.0 technology for mobile solutions.

Domestic Robot

Toy/Prosumer Drones

Wearable

Security and Surveillance

Biometric Access Control Systems

POS Terminal

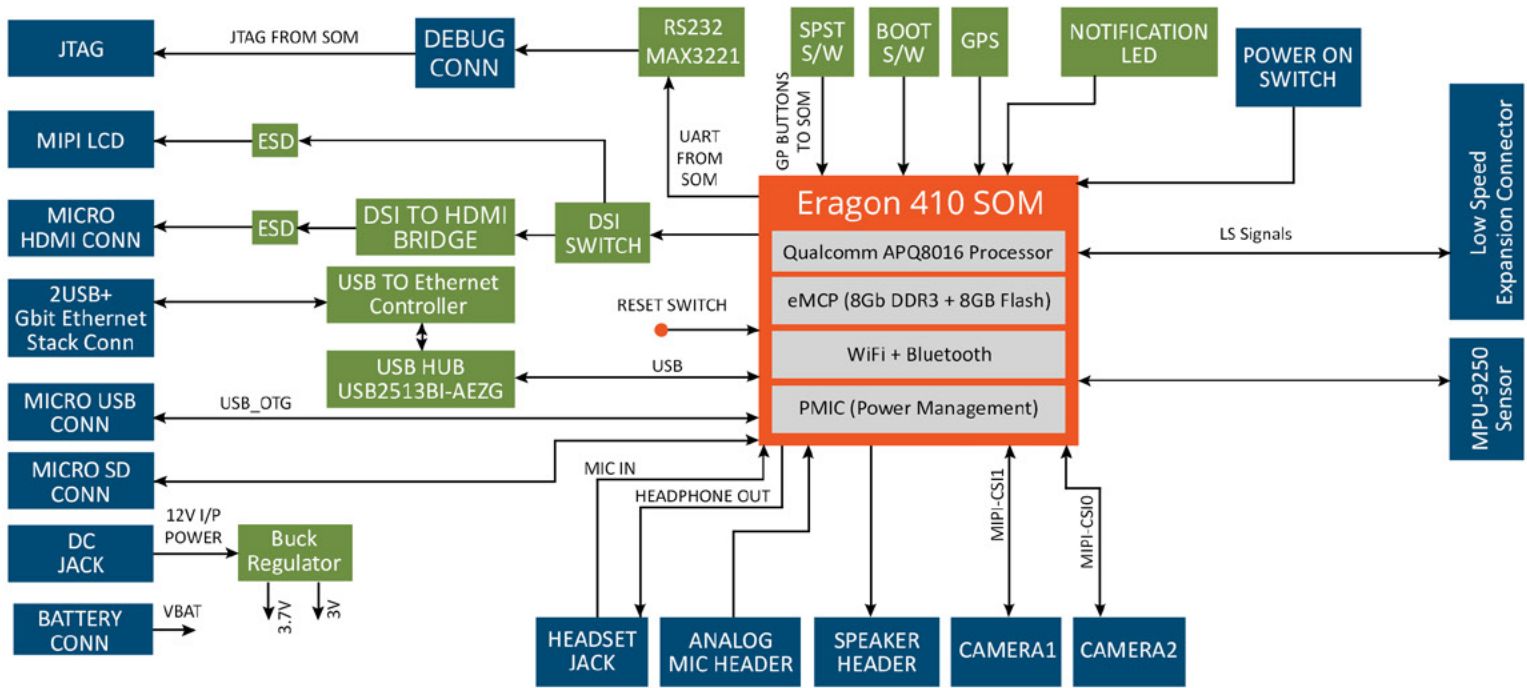
Home and Health Hub

Human-Machine Interface

Home Energy Management Systems

Portable Medical

Video Conferencing / IP Phone



Technical Specifications*

Connectivity (with WCN3620/WCN3660B)

- Integrated WiFi – 802.11 a/b/g/n
- Bluetooth 4.1 + BLE Interface
- GPS (available on SoM pinout)

Audio

- 2x Analog Audio In,
- 1x Mono speaker out, 1x Headset Analog MIC
- 2x I2S Interface

USB

- 2x USB2.0 host or 1x USB device (configurable through switch setting)

Ethernet

- 1x 10/100 Mbps Fast Ethernet (USB to Ethernet Bridge) with RJ45 connector

Storage

- microSD Connector – supports SDHC/SDXC

*Subject to change

Display

- MIPI-DSI
- HD (1280x720) 60 fps, 16/18/24 bpp RGB
- Wi-Fi Display – 720p 30 / 1080p 30
- Full HD + 720p external Wireless Display
- Video Encode
- 720p 30 fps (H.264 Baseline/MPEG-4)
- 30 fps 1080p (MPEG-4/H.264/VP8/H.263)
- WFD 720p @ 30 fps
- Video Decode: 30 fps 1080p(MPEG4/H.264/H.263/DivX/MPEG2/VC1/Soreson/VP8); WFD 1080p @ 30 fps
- HDMI (through ext. accessory – DSI to HDMI)

Camera

- MIPI-DSI
- 2x MIPI-CSI for Camera Support
- 1x 4-lane CSI(CS10)(support upto 13 MP sensor)
- 1x 2-lane CSI(CS11) (supports upto 8 MP sensor)
- I2C Control

System Software

- Android, Linux, Windows 10 (in future)

Other

- 9-Axis Accelerometer, Gyrometer and Magnetometer
- JTAG, UART, SPI, I2C, GPIO
- Low Speed Expansion Connector
- 2-wire Battery Connector

Mechanical specification

- SOM - 26 mm X 35 mm
- CARRIER - 72 mm X 100 mm

Temperature specification

- Extended Temperature Range -30° to 85° C.

Power supply input

- 12 V (3A) for the development kit

Ordering Information

- SoM : EIC-Q410-200
- Development kit : EIC-Q410-210

Eragon 410 datasheet Rev 1.0

FOLLOW US



/eInfochips



/einfochipsLtd



/eInfochips



/einfochipsindia



/eInfochips_Solution

HQ: Sunnyvale, CA, USA

Tel: +1-408-496-1882

marketing@einfochips.com

www.einfochips.com



eInfochips is a Product Engineering Solutions company recognized for leadership by Gartner, Frost & Sullivan, NASSCOM and Zinnov. eInfochips has contributed to 500+ products for top global companies, with more than 10 million deployments across the world. The company is debt-free and profitable since inception in 1994.

Qualcomm Adreno and Qualcomm Quick Charge are products of Qualcomm Technologies, Inc. Qualcomm, Snapdragon, Adreno and Quick Charge are trademarks of Qualcomm Incorporated, registered in the United States and other countries. Used with permission. eInfochips reserves the right to make changes to the information, text, graphics or other items contained within this material at any time, without any prior notice. eInfochips will make their best effort, however cannot commit to keep this material up-to-date. To be assured that you have the latest material, you are encouraged to contact sales@einfochips.com. All brands, logos, product names and service names are trademarks or registered trademarks of their respective companies or organizations.

X-ON Electronics

Largest Supplier of Electrical and Electronic Components

Click to view similar products for [System-On-Modules - SOM category](#):

Click to view products by [eInfochips manufacturer](#):

Other Similar products are found below :

[PICOIMX6S10R512NI4GBW](#) [20-101-1067](#) [20-101-1068](#) [PICOIMX6S10R512SD](#) [COMX-CORE-310](#) [CC-9P-V513-C](#) [Nit6Q_2GB](#) [COMX-P4040-4G-ENP2](#) [PICOIMX6U10R1GBNI4G](#) [PICOIMX6U10R1GBNI4GBW](#) [SOM-5897C7-U8A1E](#) [SOM-5897C7-U0A1E](#) [Nit6D_SOM_v2](#) [20-101-0079](#) [RM-F6SO1-SMC](#) [SOM-RK3399-Q7-2.1-I-4096M-32G-CAN](#) [MC27561-TIGER](#) [MC27561-LION](#) [AM335XBBLK-SYSTEM](#) [BD63715AEFV-EVK-001](#) [MC27561-FOX](#) [CC-WMX6UL-SMPL](#) [CB-52-PUS-110-SX](#) [BD63725BEFV-EVK-002](#) [BD63521EFV-EVK-001](#) [BD63525AEFV-EVK-001](#) [BD63511EFV-EVK-001](#) [BD63725BEFV-EVK-001](#) [EDI1.SPON.AL.S 937637](#) [SOM-6898C3Z2-U4A1E](#) [MYD-C4378-4E512D-100-I](#) [Q7M311-N4200-4GB](#) [PICOIMX8MMQ18R40E16](#) [A00150](#) [TE0745-02-81C11-A](#) [TE0714-03-35-2I](#) [TE0791-01](#) [00151100](#) [100-1215-1](#) [EIC-Q410-200](#) [COMX_P4080](#) [CC-ACC-LCDW-10](#) [20-101-0081](#) [151-0096](#) [SIP-005AYS001](#) [BS2P24](#) [BS2P40](#) [BS2PE](#) [RK3188-SOM](#) [RK3188-SOM-4GB](#)