

TWN4 SLIM LEGIC

FLAT AND COMPACT RFID READER/WRITER SUPPORTING LF, HF, NFC AND BLE



TWN4 Slim LEGIC – front view



TWN4 Slim LEGIC – rear view

TWN4 Slim LEGIC is ELATEC's smallest compact and flat RFID reader – it's smaller than an ID-1 card. TWN4 Slim LEGIC supports a huge range of LF and HF technologies (125 kHz and 13.56 MHz). With the support of NFC and Bluetooth Low Energy, the reader supports mobile use cases for data communication and authentication. It can be operated as a standalone unit connected using a standard cable with a micro USB plug to PCs and other devices with USB interface.

TWN4 Slim LEGIC is perfectly suited to embed it into machines and devices, and especially MFP printers with optional clip-on snap-in cover.

Special features:

- + Standalone operation and flush-mount integration into printers and other industrial applications
- + Equipped with LEGIC front-end chip SM-6300
- + Mounting holes for easy and fast installation
- + Integrated LF and HF antennas
- + One socket for Secure Access Modules (SAM) cards, ID-000 form factor
- + Flexible cable with micro USB connector
- + Supported USB stacks: keyboard emulation, virtual comport and CCID/PCSC
- + Integrated BLE module 2.4 GHz for data communication and authentication, BLE v5.0, upgradable
- + Supports quick (re)configuration over network and over wireless interface with TWN4 CONFIG Card
- + Direct chip-commands support
- + Powerful SDK for writing apps which are executed directly on the reader
- + On-board 18 kB flash storage, e.g. for storing user accessible non-volatile data
- + TWN4 Upgrade Card for P option available on request
- + Customizable design inlay
- + 3D construction data (STEP) available on request



Elevator



EV Chargers



Access



Shop POS



Fitness Equipment



Ticket POS



PC Log-on



Document Management



Driver ID



Vending



Parking



Gaming



Locker Locks



Time Attendance



Industrial PC

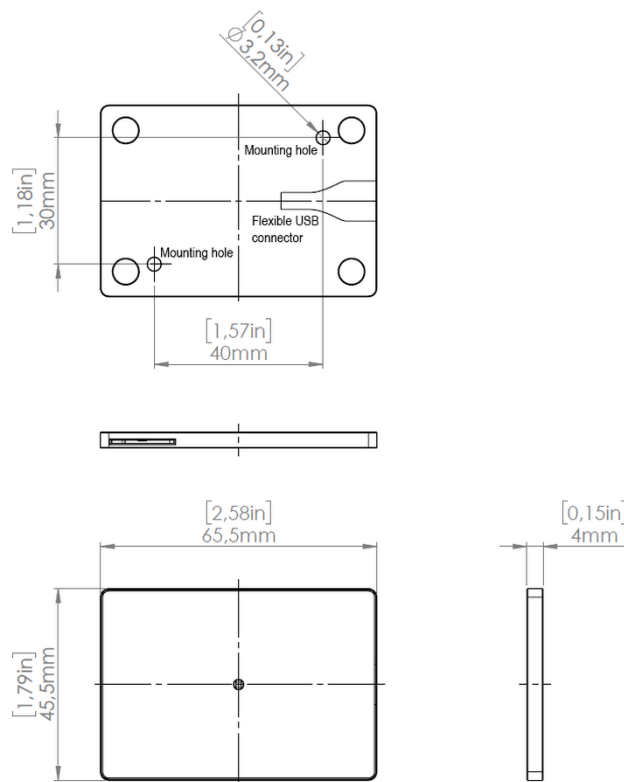
TECHNICAL DATA

FREQUENCY	125 kHz (LF) / 13.56 MHz (HF) / 2.4 GHz (BLE)
ANTENNA(S)	Integrated
HOUSING	ABS+PC blend, UL94-V0, color: black (core unit, clip adapter). Two 3.2 mm (0.13 inch) mounting holes for OEM integration (requires special inlay)
DIMENSIONS (L X W X H)	65.5 mm x 45.5 mm x 4.0 mm / 2.6 inch x 1.8 inch x 0.16 inch
POWER SUPPLY	4.3 V - 5.5 V via micro USB Limited power source according to the safety norms listed in the respective declaration of conformity, short-circuit current < 8 A
CURRENT CONSUMPTION	Idle: 70 mA, RF field on: 135 mA typically (preliminary)
TEMPERATURE RANGE	Operating: -20 °C up to +60 °C (-4 °F up to +140 °F) Storage: -30 °C up to +70 °C (-22 °F up to +158 °F)
RELATIVE HUMIDITY	5% to 95% non-condensing
READ- / WRITE DISTANCE	LF and HF: Up to 80 mm / 3.15 inch, depending on environment and transponder
OPERATING MODES (USB)	USB keyboard emulation – USB virtual COM port – CCID / PC/SC 2.01
BLUETOOTH LOW ENERGY	Bluetooth v5.0, software upgradable; standards as GAP, SM, L2CAP, ATT; predefined GATT structure; AES128 supported; LEGIC Connect on demand
MTBF	500,000 hours
WEIGHT	Approx. 18 g / 0.64 oz (without cable and holder)
SUPPORTED TRANSPONDERS (STANDARD) 13.56 MHZ	<u>ISO14443A:</u> LEGIC Advant, MIFARE Classic EV1 ¹⁾ , MIFARE Classic, MIFARE Mini, MIFARE DESFire EV1, MIFARE DESFire EV2 ²⁾ , MIFARE DESFire Light ³⁾ , MIFARE Plus S, X, MIFARE Pro X ⁴⁾ , MIFARE Smart MX ⁴⁾ , MIFARE Ultralight, MIFARE Ultralight C, MIFARE Ultralight EV1 ¹⁾ , NTAG2xx, SLE44R35 ⁴⁾ , SLE66Rxx (my-d move) ⁴⁾ <u>ISO18092 ECMA-340:</u> NFC Forum Tag 1-5 ⁵⁾ , Sony FeliCa ⁶⁾ , NFC Active and passive communication mode <u>ISO14443B:</u> Calypso ⁴⁾ , CEPAS ⁴⁾ , HID iCLASS ⁷⁾ , Moneo ⁴⁾ , Pico Pass ⁷⁾ <u>ISO15693:</u> EM4x33 ⁴⁾ , EM4x35 ⁴⁾ , HID iCLASS ⁷⁾ , HID iCLASS SE/SR ⁷⁾ , ICODE SLI, LEGIC Advant, M24LR16/64, SRF55Vxx (my-d vicinity) ⁴⁾ , Tag-it, PicoPass ⁷⁾ <u>LEGIC Prime:</u> LEGIC Prime
SUPPORTED TRANSPONDERS (STANDARD) 125 KHZ ⁸⁾	AWID, Cardax, CASI-RUSCO, Deister ⁹⁾ , EM4100, 4102, 4200 ¹⁰⁾ , EM4050, 4150, 4450, 4550, EM4305 ¹¹⁾ , FDX-B ¹²⁾ , EM4105 ¹²⁾ , UltraProx ¹²⁾ , HITAG 1 ¹³⁾ , HITAG 2 ¹³⁾ , HITAG S ¹³⁾ , ICT ³⁾ , IDTECK, Isonas, Keri, Miro, Nedap ⁹⁾ , PAC ³⁾ , Pyramid, Q5, T5557, T5567, T5577, TIRIS/HDX ¹²⁾ , TITAN (EM4050), UNIQUE, ZODIAC
SUPPORTED TRANSPONDERS (OPTION P)	All Standard Transponders, Cotag, G-Prox ⁹⁾ , HID DuoProx II, HID ISO Prox II, HID Micro Prox, HID ProxKey III, HID Prox, HID Prox II, Indala, ioProx, Nexwatch
OS SUPPORT	Windows Embedded CE ³⁾ , 7 (32-/64-bit), 8, 8.1, 10, Linux, Android ³⁾ , iOS ³⁾ , MAC OS X ³⁾
PERIPHERAL INTERFACES	Female micro USB, flexible cable, use only with CAB-BS1 – CAB-BS7 shielded cables
TRANSMISSION SPEED	Host: USB Full speed (12 Mbit/s), HF Air: up to 848 kbit/s
CERTIFICATION NAME	TWN4 Slim LEGIC
CERTIFICATION(S)	CE/RED, FCC, IC, REACH and RoHS-III compliant
ORDER CODE(S)	Standalone reader without cable T4QC-DC3B7 TWN4 Slim LEGIC T4QC-DC3B7-P TWN4 Slim LEGIC, Option P

¹⁾r/w enhanced security features on request ²⁾EV2/EV3 supported as part of the EV1 downward compatibility ³⁾On request ⁴⁾r/w in direct chip command mode
⁵⁾NFC Forum Tag 1 not supported ⁶⁾UID + r/w public area ⁷⁾UID only ⁸⁾125 kHz technology requires a Russian local test and import license from the ministry of Trade and Industry (MINPROMTORC). This license has to be in place before Elatec can accept any order to be shipped to Russia ⁹⁾Hash value only ¹⁰⁾Only emulation of 4100, 4102 ¹¹⁾From FW V4.05 ¹²⁾134.2 kHz only ¹³⁾Without encryption

ACCESSORIES	HFQC-B	TWN4 Slim Mounting Frame black
	MECH-QHC1B	TWN4 Slim HIP1 Cover
	MECH-QHC2B	TWN4 Slim HIP2 Cover
	MECH-QRBF1	TWN4 Slim Rubber Feet 4pcs/set
	MECH-CCK3	Cable Clip Kit adhesive black (3pcs)
CABLES	CAB-BS1	Cable, Slim CC, Micro USB/Mini USB male bent, 10cm / 3.93 inch
	CAB-BS2	Cable, Slim CC, Micro USB/Mini USB female, 10cm / 3.93 inch
	CAB-BS3	Cable, Slim CC, Micro USB/USB A male, 12cm / 4.72 inch
	CAB-BS4	Cable, Slim CC, Micro USB/USB A male, 45cm / 17.7 inch
	CAB-BS5	Cable, Slim CC, Micro USB/USB A male, 120cm / 47.2 inch
	CAB-BS6	Cable, Slim CC, Micro USB/USB A male, 200cm / 72.74 inch
	CAB-BS7	Cable, Slim CC, Micro USB/Mini USB male, 60cm / 23.62 inch
KITS	Individual kits available on request.	
	Kits are a compilation of the TWN4 Slim LEGIC reader, accessories and packaging configuration (boxed or bulk packaging). After the configuration of the kit, customers receive their own article number.	

DRAWING



ELATEC GmbH
 Zeppelinstr. 1
 82178 Puchheim
 Germany
 P +49 89 552 9961 0
 F +49 89 552 9961 129
 E-Mail: info-rfid@elatec.com
 Website: elatec.com

ELATEC Systems GmbH
 Schwieberdinger Str. 44
 71636 Ludwigsburg
 Germany
 P +49 7141 309736 0
 E-Mail: info-rfid@elatec.com
 Website: elatec.com

ELATEC Inc.
 1995 SW Martin Hwy
 Palm City • FL 34990
 USA
 P +1 772 210 2263
 F +1 772 382 3749
 E-Mail: americas-info@elatec.com
 Website: elatec.com

ELATEC Technology (Shenzhen) LLC
 918, Main Building, Tian An Cyber Times
 Tower, No. 6, Tairan Fourth Road, Tian 'an
 Community, Shatou Neighborhood
 Futian District • Shenzhen • China
 P/F +86 755 2394 6014
 E-Mail: apac-info@elatec.com
 Website: elatec.com

ELATEC reserves the right to change any information or data in this document without prior notice. ELATEC declines all responsibility for the use of this product with any other specification but the one mentioned above. Any additional requirement for a specific customer application has to be validated by the customer himself at his own responsibility. Where application information is given, it is only advisory and does not form part of the specification. Disclaimer: All names used in this document are registered trademarks of their respective owners.

X-ON Electronics

Largest Supplier of Electrical and Electronic Components

Click to view similar products for [Elatec manufacturer](#):

Other Similar products are found below :

[TECHTRACER KIT](#) [T4W2-B01C7](#) [T4W2-B01C7-P](#) [T4W2-F02B6-PI](#) [TCP3 KIT STANDARD POE](#) [CAB-BS3 \(12CM FOR TWN4 SLIM\)](#)
[T43O-B7C0-P](#) [TWN4 MULTITECH NANO LEGIC 63M C0](#) [T4PK-B02TR6-P](#) [T4PK-B02TR7-P](#) [TWN4 MULTITECH SMARTCARD](#)
[LEGIC 42 USB](#) [T4WK-B01EU6-P](#) [TECHTRACER LITE LEGIC](#) [DEVKIT TWN4 MULTITECH NANO LEGIC](#) [ART10499](#) [HHRM-](#)
[NB2B00](#) [T4W2-F01C7](#) [T4W2-F01C7-PI](#) [T4W2-F02B6](#) [T4W2-F02B6-P](#) [TWN4 PALON ONE LEGIC](#) [T43O-B7C0](#) [T4DT-FB3WEL-PI](#)
[T4NM-FDB0](#) [T4PK-B01TR7](#) [T4PK-B02TR6](#) [TWN4 SLIM LEGIC P](#) [TWN4 SLIM PI ALL INCLUSIVE KIT](#) [TWN4 SLIM PI INDUSTRY](#)
[KIT](#) [T4WK-B01EU6](#) [TWN4 PALON SQUARE M](#) [TWN4 PALON SQUARE M, P](#) [TWN4 MULTITECH 3-I HF PCB WIEGAND, BLE](#)
[TWN4 USB FRONT READER STANDARD](#) [TWN4 MULTITECH SMARTCARD](#) [TWN4 MULTITECH 2 BLE DT-U20-B](#) [T4W2-F01C7-P](#)
[TWN4 MULTITECH 2 BLE IP68](#) [TWN4 MULTITECH-P DT-U20-B USB WHITE](#) [T4NM-FDA0](#) [T4PK-F01TR7](#) [T4DK-FB7BLZ-PI](#)
[NANO MODULE MIFARE](#) [TWN4 MULTITECH 3 HF PCB WIEGAND, BLE](#) [TWN4 SLIM LEGIC](#) [TWN4 MULTITECH NANO LEGIC](#)
[TWN4 MULTITECH 2 BLE-PI](#) [HOPK-B2AEL](#) [T4BO-F2-I](#) [T4DT-FB3WEL](#)