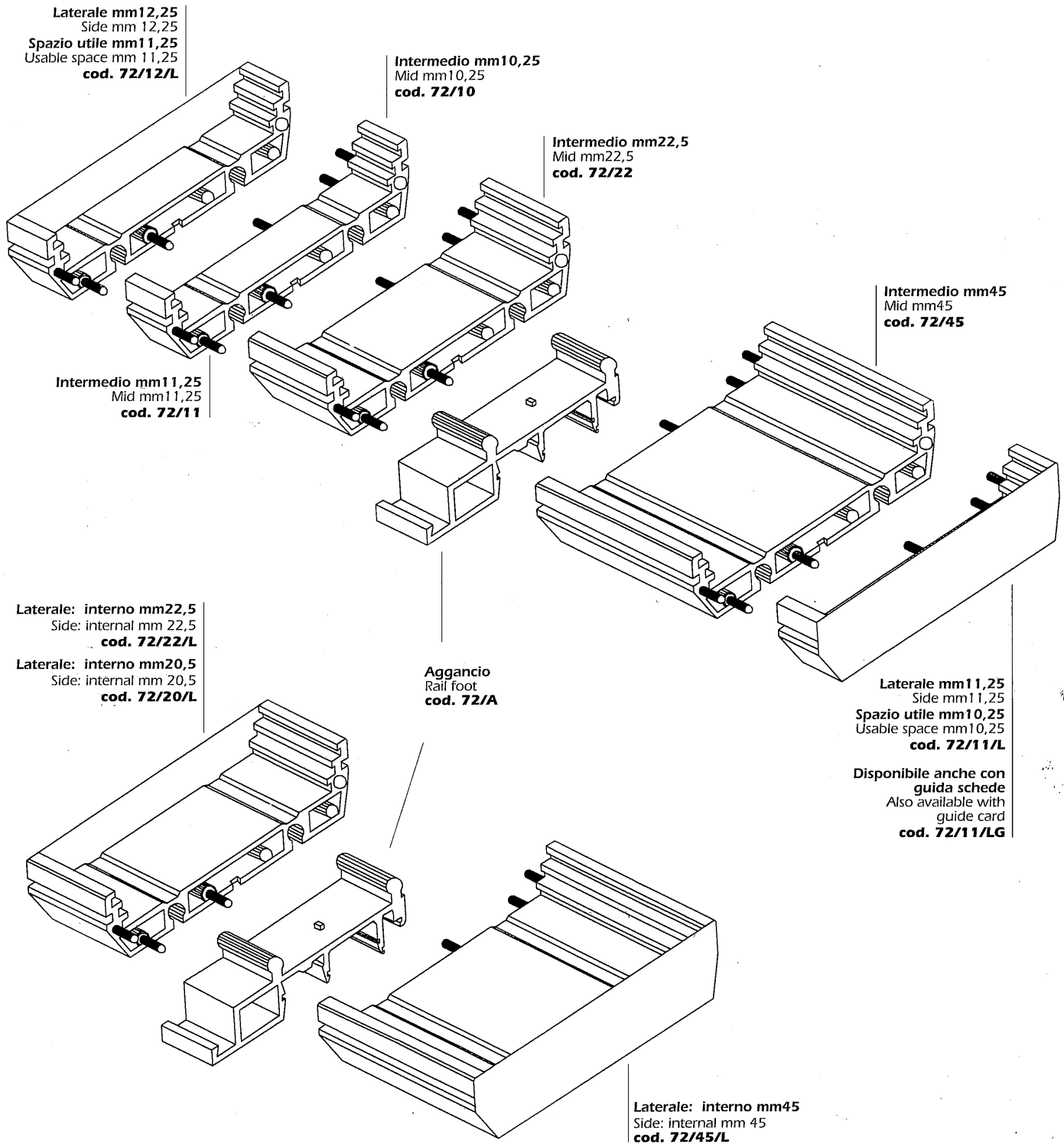


**Vaschetta interfaccia bipasso brevettata modulare mm11,25 realizzata in Nylon autoestinguente classe V0 in colore grigio e verde, V2 (UL 94) in nero. Applicabile su barra C-DIN EN 500354 e OMEGA-DIN EN 50022 - 50045. L'esclusivo sistema di realizzazione consente il montaggio di schede da mm 68 o da mm72.**

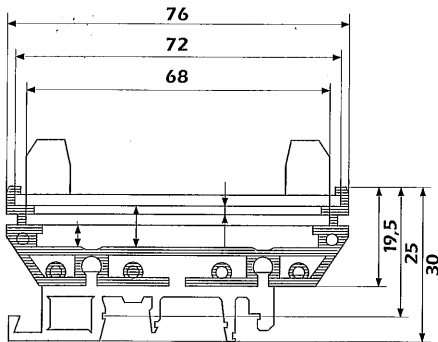
Two-width patented modular housing for interface units, in mm11,25 steps. Self-extinguishing Nylon class V0 in grey or green, or V2 (UL 94) in black. Can be mounted on C rail DIN EN 50035 or OMEGA-DIN EN 50022 - 50045. The peculiar geometry allows for insertion of both mm68 and 72 wide P.C. boards.



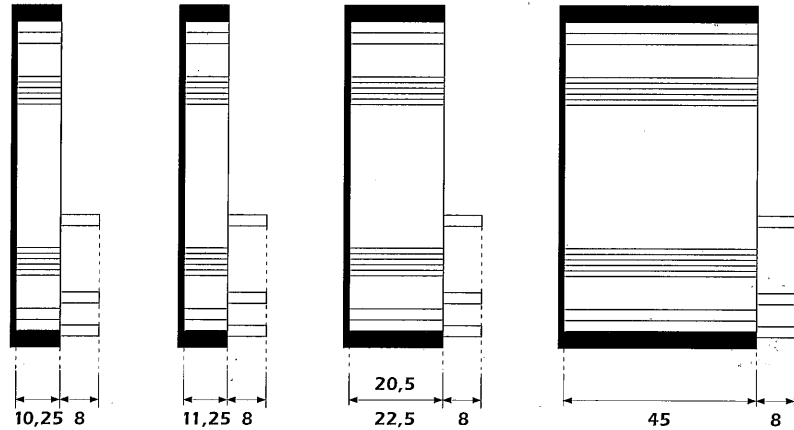
L'elemento laterale disponibile con spazio interno di mm 10.25 - 11.25 - 20.5 - 22.5 - 45. L'elemento laterale alto permette di trasformare l'interfaccia in una custodia chiusa, con coperture in plastica trasparente o colorata, forature per cablaggio. Le coperture vengono fissate al laterale alto a mezzo di viti.

The intermediate element is available with internal space of mm 10.25 - 11.25 - 20.5 - 22.5 - 45. The side element with shoulder allows to transform the interface in a closed housing, by means of plastic covers, coloured or clear, and relevant holes for cabling. The covers are screwed to the shoulder of the side element.

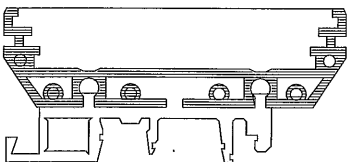
## LATERALE - SIDE



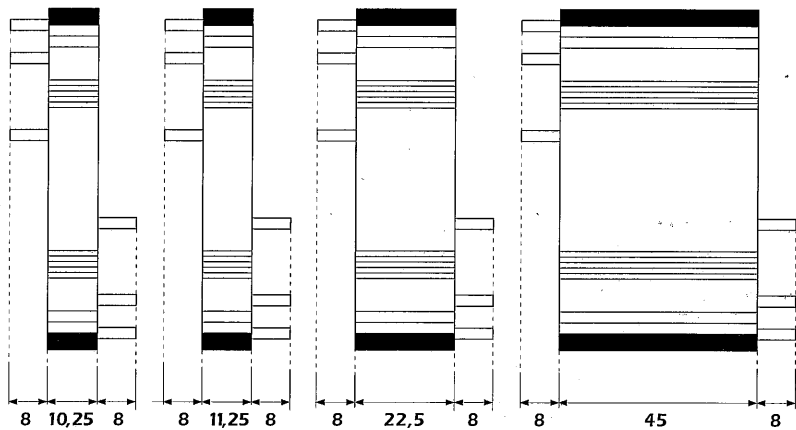
**72/11/L    72/12/L    72/20/L=72/22/L    72/45/L**



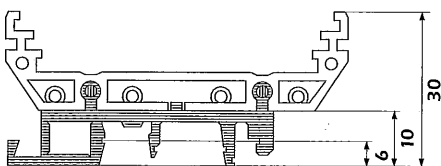
## INTERMEDIO - MID



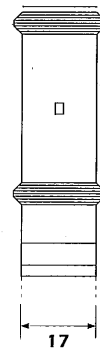
**72/10    72/11    72/22    72/45**



## AGGANCIO - RAIL FOOT



**72/A**



**Le coperture sono realizzate su misura in colore nero, trasparente o a richiesta colori particolari.**

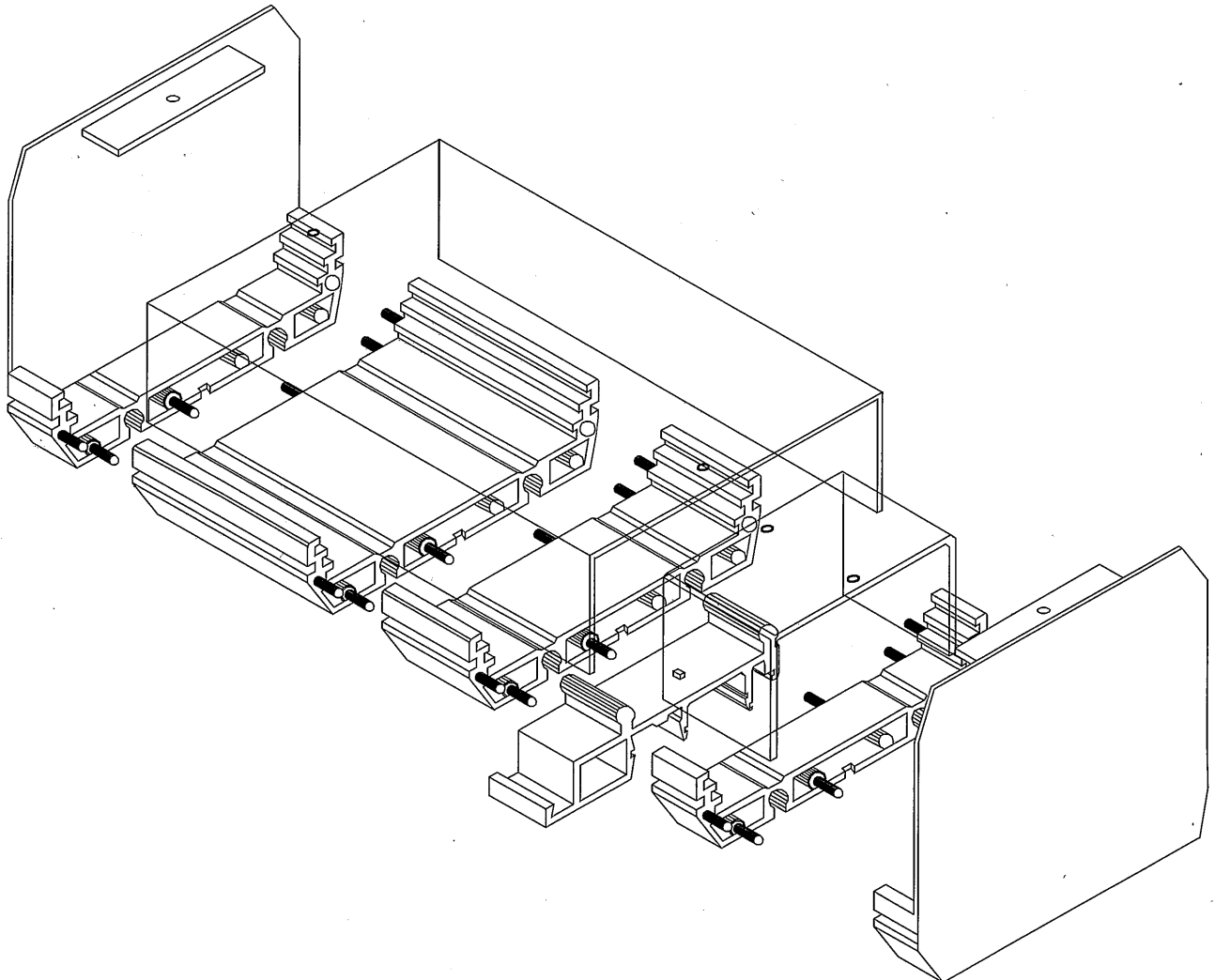
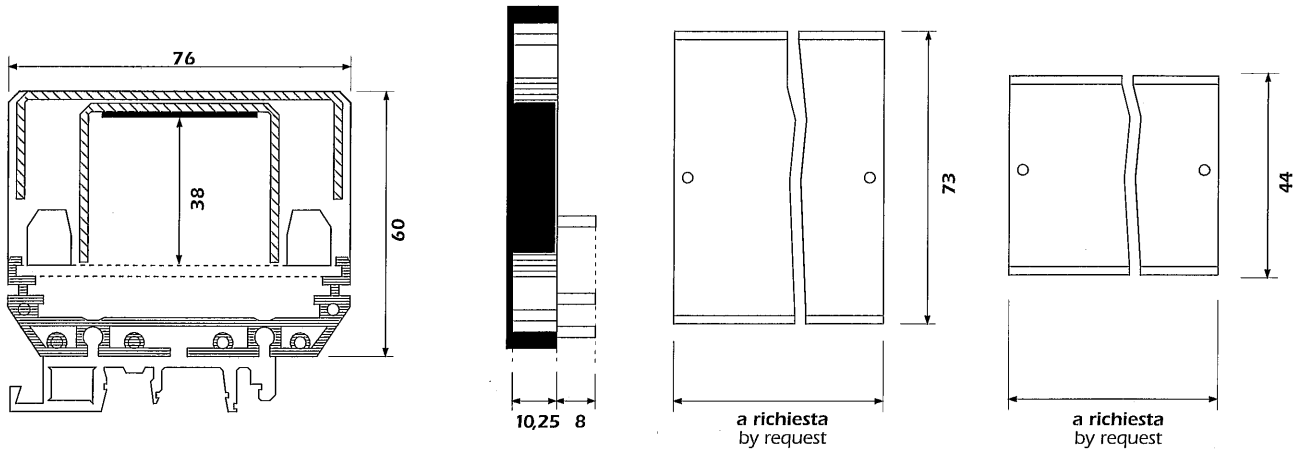
Covers are made in size by request, clear, black or coloured.

**LATERALE - SIDE COVER-HIGH**

**72/11/LA**

**72/CO/A**

**72/CO/B**



## X-ON Electronics

Largest Supplier of Electrical and Electronic Components

*Click to view similar products for [Enclosures, Boxes & Cases](#) category:*

*Click to view products by [Elbag](#) manufacturer:*

Other Similar products are found below :

[585-R-WH-PK](#) [M-10-PLATED](#) [60221-01](#) [60566-01-000](#) [HPL-9VB BATT DOOR](#) [M18-PLTD](#) [M-21-PLATED](#) [63310-01-000](#) [6711GSKT](#)  
[71884-29-028](#) [LH45-100 Black](#) [72868-510-000](#) [CNS-0000 Black](#) [72883-510-000](#) [CNS-0101 Black](#) [72906-510-000](#) [CNS-0407 Black](#) [73092-](#)  
[510-000](#) [CNM-0101 Black](#) [73105-510-000](#) [CNL-0101 Black](#) [73108-510-000](#) [CNL-0303 Black](#) [73395-510-039](#) [CNS-0006 Bone](#) [74016-510-000](#)  
[CNL-0006 Black](#) [74257-510-000](#) [CNL-0004](#) [MDC-1183-PLAIN-ALUM](#) [MDC-1183-PTD](#) [MDC-13104-PTD](#) [MDC-321-PTD](#) [MDC-973-PTD](#)  
[76](#) [77153-01-028](#) [FLX6030](#) [83535-01-508](#) [90026-501-000](#) [PS36-200](#) [116-508](#) [120-407](#) [120-910](#) [127-908](#) [130-008](#) [1301170079](#)  
[1322GSKTEP](#) [1325GSKT3](#) [138-PLAIN](#) [1434-1210](#) [EAS-500 \(BLACK ANO\)](#) [1804RP-RB-PK](#) [190-005](#) [2202307](#) [KAB3321 BLACK](#)  
[KAB3421](#) [2697466](#) [S52213](#) [2901123](#) [2901699](#) [A0645271](#) [A20P20](#)