

**RELÈ STATICI SERIE SSR19**  
**SSR19 SERIES SOLID STATE RELAYS**

Rev. 11-2022


**NEW**


- \* Led tensione ingresso
- \* Commutazione zero crossing istantanea
- \* Tensione di picco fino a 1600V
- \* Gamma da 25 A a 60 A
- \* Certificazione UL e TUV
- \* Conforme ai requisiti EN 60335-1
- \* Isolamento ingresso uscita 4000V
- \* Protezione integrata da sovratensioni con varistore

- \* Input voltage led
- \* Zero crossing instant commutation
- \* Peak voltage up to 1600 V
- \* Range from 25 A to 60 A
- \* UL and TUV certification
- \* Conformance to EN 60335-1 requirements
- \* 4000 V input-output insulation
- \* Integrated voltage transient protection with varistor

**TABELLA SELEZIONE RELÈ - RELAYS SELECTION TABLE**
**AC OUTPUT - TIPO DI COMMUTAZIONE ZERO CROSSING**  
**AC OUTPUT ZERO CROSSING COMMUTATION**

Corrente uscita Output current	Tensione uscita Output voltage	Tensione ingresso Input voltage	Modello Model
25 A	48-280 VAC	4 - 32 VDC	SSR19-25240AS
		90 - 280 VAC	SSR19-25240CS
	48-660 VAC	4 - 32 VDC	SSR19-25660AS
		90 - 280 VAC	SSR19-25660CS
40 A	48-280 VAC	4 - 32 VDC	SSR19-40240AS
		90 - 280 VAC	SSR19-40240CS
	48-660 VAC	4 - 32 VDC	SSR19-40660AS
		90 - 280 VAC	SSR19-40660CS
60 A	48-280 VAC	4 - 32 VDC	SSR19-60240AS
		90 - 280 VAC	SSR19-60240CS
	48-660 VAC	4 - 32 VDC	SSR19-60660AS
		90 - 280 VAC	SSR19-60660CS

**AC OUTPUT - TIPO DI COMMUTAZIONE ISTANTANEA**  
**AC OUTPUT INSTANT COMMUTATION**

Corrente uscita Output current	Tensione uscita Output voltage	Tensione ingresso Input voltage	Modello Model
25 A	48-280 VAC	4 - 32 VDC	SSR19-25240ASK
		90 - 280 VAC	SSR19-25240CSK
	48-660 VAC	4 - 32 VDC	SSR19-25660ASK
		90 - 280 VAC	SSR19-25660CSK
40 A	48-280 VAC	4 - 32 VDC	SSR19-40240ASK
		90 - 280 VAC	SSR19-40240CSK
	48-660 VAC	4 - 32 VDC	SSR19-40660ASK
		90 - 280 VAC	SSR19-40660CSK
60 A	48-280 VAC	4 - 32 VDC	SSR19-60240ASK
		90 - 280 VAC	SSR19-60240CSK
	48-660 VAC	4 - 32 VDC	SSR19-60660ASK
		90 - 280 VAC	SSR19-60660CSK

Gli SSR devono essere montati sui dissipatori di calore (vedere DISSIPATORI - HEAT SINK pag. 86).

SSRs must be mounted on heatsinks (see DISSIPATORI - HEAT SINK pag. 86).

Per il montaggio degli SSR sul dissipatore di calore, è necessario utilizzare grasso termico o il thermal pad.

For SSRs mounting on the heatsink, it is necessary to use thermal grease or thermal pad.



#### DATI TECNICI ENTRATA - INPUT TECHNICAL DATA

Campo tensione di ingresso - <i>Control voltage range</i>	DC Control	4 - 32 VDC
	AC Control	90 - 280 VAC
Tensione di innesco - <i>Control pick-up voltage</i>	DC Control	4 VDC
	AC Control	90 VAC
Tensione di disinnesco - <i>Control drop-out voltage</i>	DC Control	1 VDC
	AC Control	10 VAC
Corrente di pilotaggio - <i>Control current range</i>	DC Control	25mA(@32VDC)
	AC Control	25mA(@280VAC/50Hz)

#### DATI TECNICI USCITA - OUTPUT TECHNICAL DATA

Campo tensione di carico <i>Load voltage range</i>	240 VAC	48 - 280 VAC
	600 VAC	48 - 660 VAC
Massimo ritardo commutazione (Turn-On) <i>Maximum Turn-On time</i>	Instant commutation	1 ms
	Zero crossing commutation	1/2 cycle+1 ms
	AC Control	40 ms
Massimo ritardo apertura per commutazione zero crossing <i>Maximum opening delay for zero crossing</i>	DC Control	1/2 cycle+1 ms
	AC Control	40 ms
Corrente di spunto non ripetitiva <i>Non repetitive surge peak on state current</i>	25 A	250 A
	40 A	500 A
	60 A	700 A
I <sup>2</sup> t per scelta fusibile <i>I<sup>2</sup>t rating</i>	25 A	312 A <sup>2</sup> S
	40 A	1250 A <sup>2</sup> S
	60 A	2450 A <sup>2</sup> S
Picco ripetitivo allo stato di OFF <i>Repetitive peak off-state voltage</i>	48 - 280 VAC	600 V pk
	48 - 660 VAC	1600 V pk
Massima tensione operativa varistori <i>Maximum operating voltage by varistors</i>	48 - 280 VAC	300 VAC
	48 - 660 VAC	680 VAC

#### DATI TECNICI USCITA - OUTPUT TECHNICAL DATA

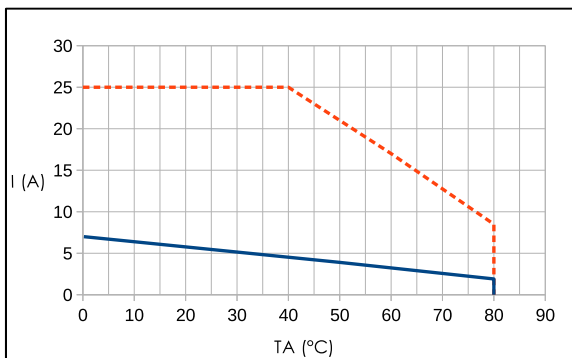
Perdita di corrente allo stato di OFF <i>Off-stage leakage current</i>	10 mA
Caduta tensione in uscita <i>Output voltage drop</i>	1,7 V/ms
Tempo critico salita tensione allo stato di off dv/dt <i>Critical rate of rise of off-state voltage dv/dt</i>	500 V/μs

#### DATI TECNICI GENERALI - GENERAL SPECIFICATIONS

Tensione isolamento <i>Insulation voltage</i>	Input/Output	4000 V rms
	Input output/Base	2500 V rms
Temperatura di funzionamento <i>Operating-temperature</i>	-30 °C ÷ 80 °C	
Temperatura di stoccaggio <i>Storage temperature</i>	-30 °C ÷ 100 °C	

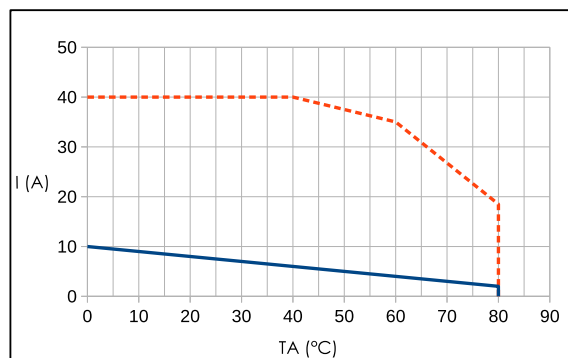
**CURVE DI DERATING - DERATING CURVES**

**SSR19 25 A**



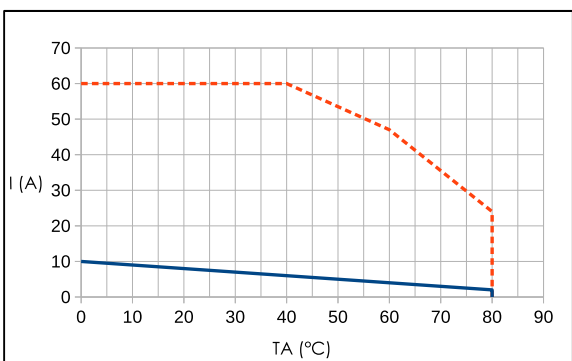
— Aria libera - Free air  
- - - Con dissipatore - Heat sink (2 °C/W)

**SSR19 40 A**



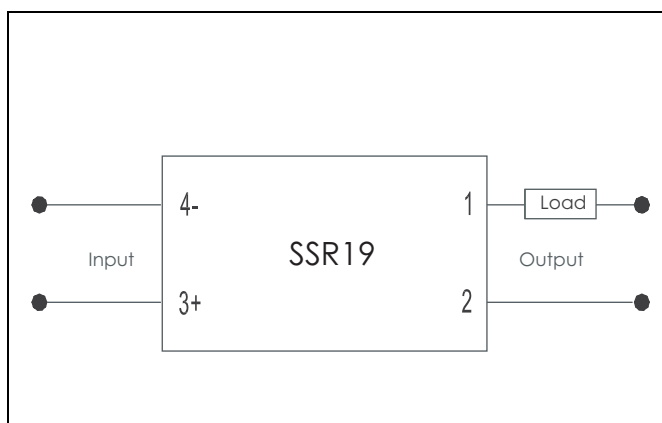
— Aria libera - Free air  
- - - Con dissipatore - Heat sink (0,9 °C/W)

**SSR19 60 A**

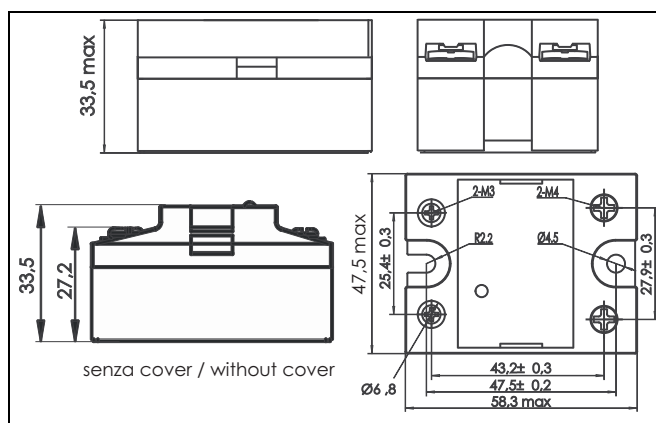


— Aria libera - Free air  
- - - Con dissipatore - Heat sink (0,7 °C/W)

**SCHEMA DI COLLEGAMENTO - WIRING DIAGRAM**



**DIMENSIONI - DIMENSIONS**



## X-ON Electronics

Largest Supplier of Electrical and Electronic Components

*Click to view similar products for [Solid State Relays - PCB Mount](#) category:*

*Click to view products by [ELCO Italy](#) manufacturer:*

Other Similar products are found below :

[M86F-2W](#) [M90F-2W](#) [M90F-2Y](#) [901-SX](#) [G2-1A07-ST](#) [G2-1A07-TT](#) [G2-1B02-TT](#) [G2-DA06-ST](#) [PLA134S](#) [DS11-1005](#) [AQH3213J](#)  
[AQV112KLAXJ](#) [AQV210EHJ](#) [AQV212J](#) [AQV252GAJ](#) [AQY210ST](#) [AQY221N2SJ](#) [AQY221R2SJ](#) [EFR1200480A150](#) [901-7](#) [LCA220](#)  
[LCB110S](#) [1618400-5](#) [SR75-1ST](#) [AQV212AJ](#) [AQV212SXJ](#) [AQV238AD01](#) [AQW414TS](#) [AQY221R2VJ](#) [AQY275AXJ](#) [AQY414SXE01](#) [G2-](#)  
[1A02-ST](#) [G2-1A03-ST](#) [G2-1A03-TT](#) [G2-1A05-ST](#) [G2-1A06-TT](#) [G2-1A23-TT](#) [G2-1B01-ST](#) [G2-1B01-TT](#) [G2-1B02-ST](#) [G2-DA03-ST](#) [G2-](#)  
[DA03-TT](#) [G2-DA06-TT](#) [3-1617776-2](#) [CTA2425](#) [LBA110S](#) [LBB110S](#) [LCA110LSTR](#) [LCB126S](#) [WPPM-0626D](#)