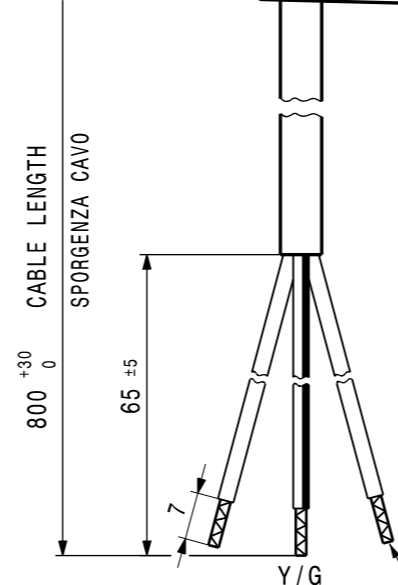
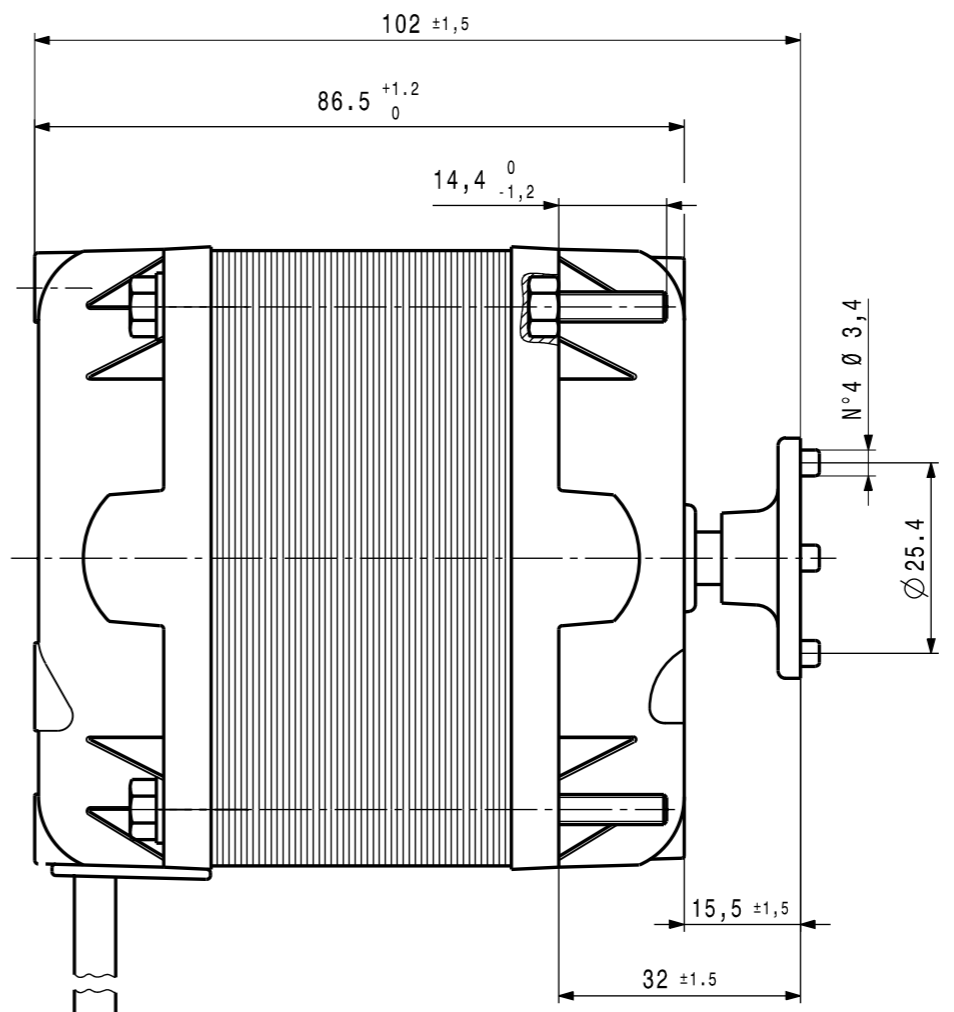
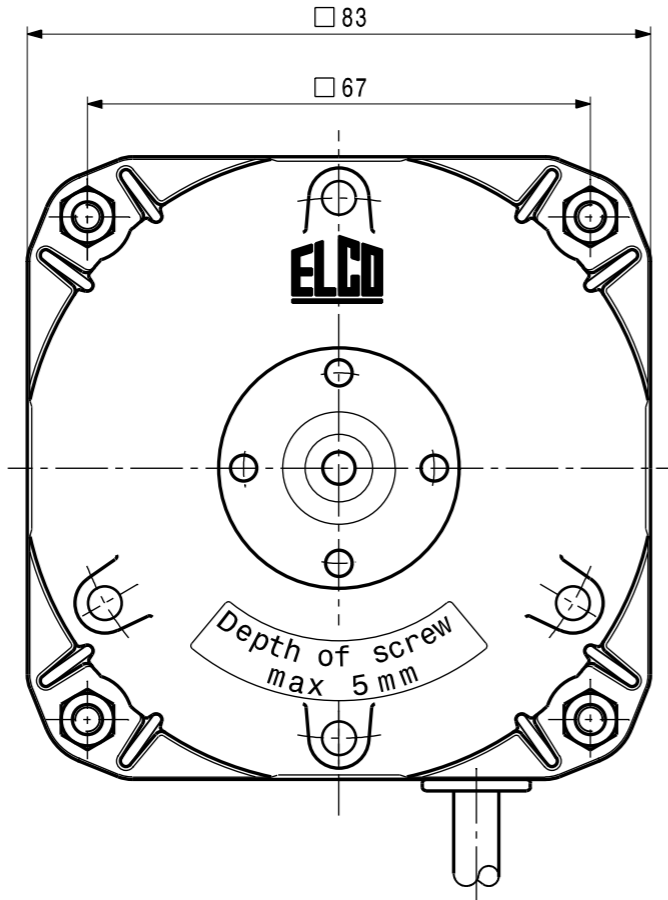
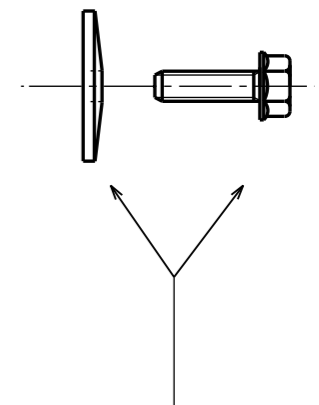


CCW ROTATION
ROTAZIONE ANTIORARIA



POINT TERMINALS
TERMINALI A PUNTALE



PARTS SUPPLIED LOOSE
PARTICOLARI
FORNITI A PARTE

- ALUMINIUM END-SHIELDS (COPERCHI IN ALLUMINIO)

- ASSEMBLY NOTE	:RULE	EL.UN.0002
- MECHANICAL CHECK	:RULE	EL.CM. 001
- LABEL LOCATION	:RULE	EL.UN.0053
- ELECTRICAL CHECK:		M.551/1

VNT 25-40 /1732	DATE	
230V ~ 50/60Hz		
25/95W 0,68A CL.B		
PROT.TERM. 1300/1550RPM		



Rel	Date	Description	Executer signature	Checked
B	01-08-14	Updating drawing: dimensions, graphics, and notes in english.	M.Cazzaniga	T.Sirtori
A	18-01-10	Updating due to VDE Certification (old 230/240V - new 230V)	S.Mapelli	T.Sirtori

For dim. without tolerance see standard UNI EN 22768-mK	Treatment -	A3	Release B				
Material -	MOTOR VNT 25-40 /1732						
<table border="1"> <tr> <td>Drawn Cazzaniga</td> <td>Date 14-04-08</td> <td>Check Sirtori</td> <td>Scale 1:1</td> </tr> </table>	Drawn Cazzaniga	Date 14-04-08	Check Sirtori	Scale 1:1	230V ~ 50/60Hz		Weight -
Drawn Cazzaniga	Date 14-04-08	Check Sirtori	Scale 1:1				
'VDE' RULES		Ref.No R.S.0092/08					
		NET2T25PVN007					

MODIFICATIONS

DRAWING MADE BY CAD
HAND MADE MODIFICATIONS ARE FORBIDDEN

X-ON Electronics

Largest Supplier of Electrical and Electronic Components

Click to view similar products for [AC, DC & Servo Motors](#) category:

Click to view products by [Elco SpA](#) manufacturer:

Other Similar products are found below :

[R88M-G10030H-S2](#) [R88MK10030H](#) [M4E068-EC03-01](#) [79265119](#) [80510503](#) [82830009](#) [R88M-K90010F-S2](#) [R88M-K40030T-B](#) [82304012](#)
[82662515](#) [82344659](#) [81021072](#) [82540001](#) [80547021](#) [82344209](#) [82334877](#) [63600-5861](#) [LCM0827A3038F](#) [LCM0830A1097F](#)
[LCM1027A2445F](#) [LCM0834A1195F](#) [LBM0825A3018F](#) [LCM061217950-L35](#) [LCM1030A3097F](#) [LD0832AA-0099F](#) [LCM1020A2945F](#)
[LCM0720A3134F](#) [LCM0408442015](#) [LCM0820A2908F](#) [LCM1234A3319F](#) [LCM1034A3811F](#) [LCM1027A3810F](#) [LBM0825A3204F](#)
[LCM04084521-B1](#) [LCM0720A3176F](#) [LBM1234B3462F](#) [LBM0625A3217F](#) [HBR12A0AC3061L](#) [NET2T16PVN002](#) [NET2T25PVN007](#)
[EFA20250VC0513L](#) [LVBLDCMTR](#) [M4Q045-EF01-75](#) [80805002](#) [82861018](#) [82862003](#) [82869014](#) [SM-S4303R](#) [FS90R](#) [KDE4213XF-360](#)
[\(HE\)](#)