

SuperDiode – 2.2V~70V, 300mW SOT-23 Plastic-Encapsulate Zener Diode


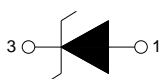
1. Features

- Low Zener impedance
- Power dissipation of 300mW
- High stability and reliability

2. Mechanical Data

- SOT-23 Small Outline Plastic Package
- Epoxy UL: 94V-0
- Mounting Position: Any

3. Outline and Circuit

| Part Number | Outline | Circuit |
|-------------|---|---|
| BZX84Cxx |  |  |

4. Specification

Absolute Maximum Rating & Thermal Characteristics

Ratings at 25 °C ambient temperature unless otherwise specified.

| Parameters | Symbol | Value | Unit |
|--|-----------|---------|------|
| Power Dissipation (Note 1) | P_D | 300 | mW |
| Forward Voltage @IF=10mA (Note 2) | V_F | 0.9 | V |
| Storage temperature range | T_{STG} | -65~150 | °C |
| Thermal resistance junction to ambient air | R_{thA} | 417 | K/W |

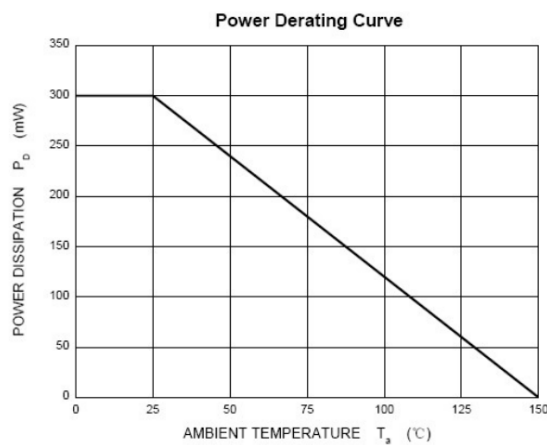
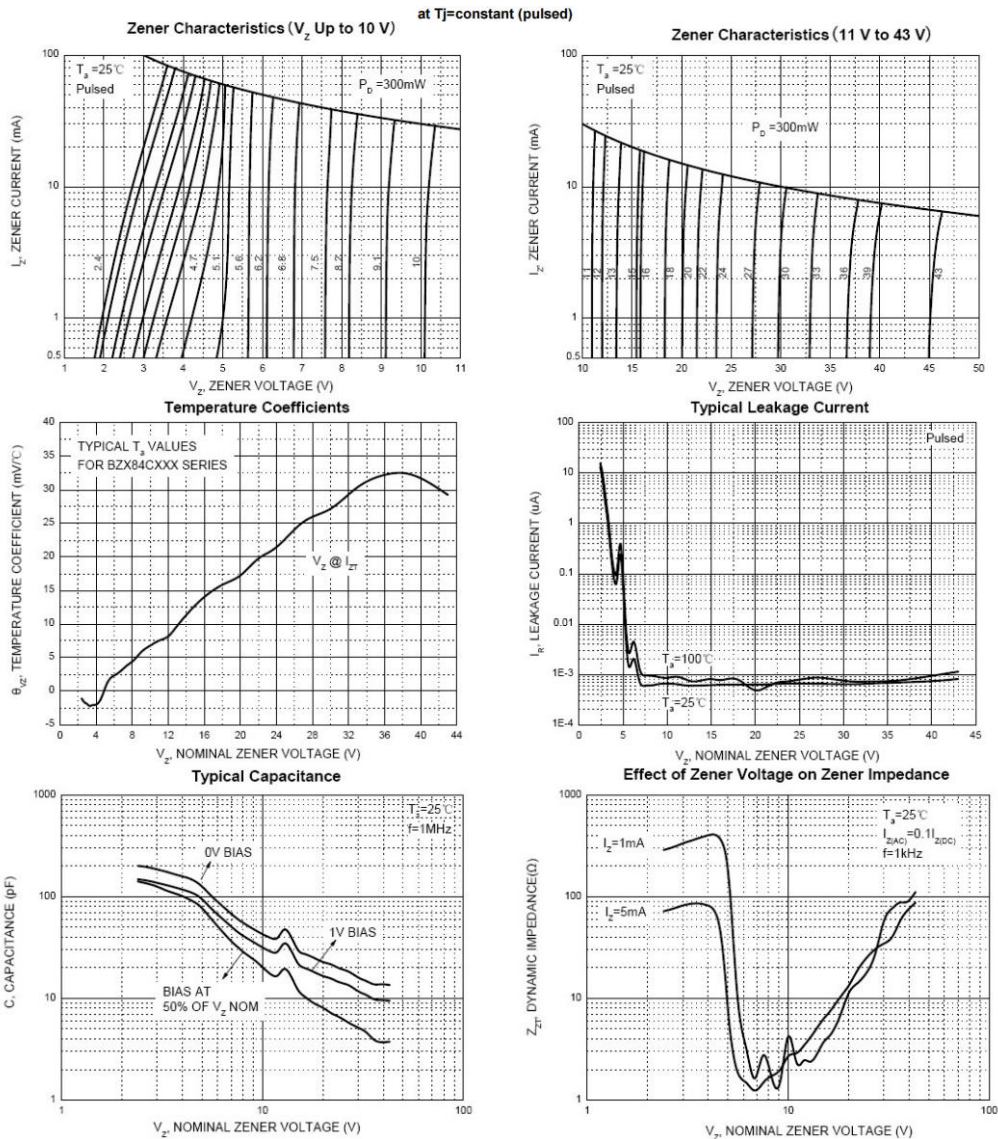
NOTES:

1. Valid provided that device terminals are kept at ambient temperature.
2. Test with pulse, period=5ms, pulse width=300us
3. f=1KHz

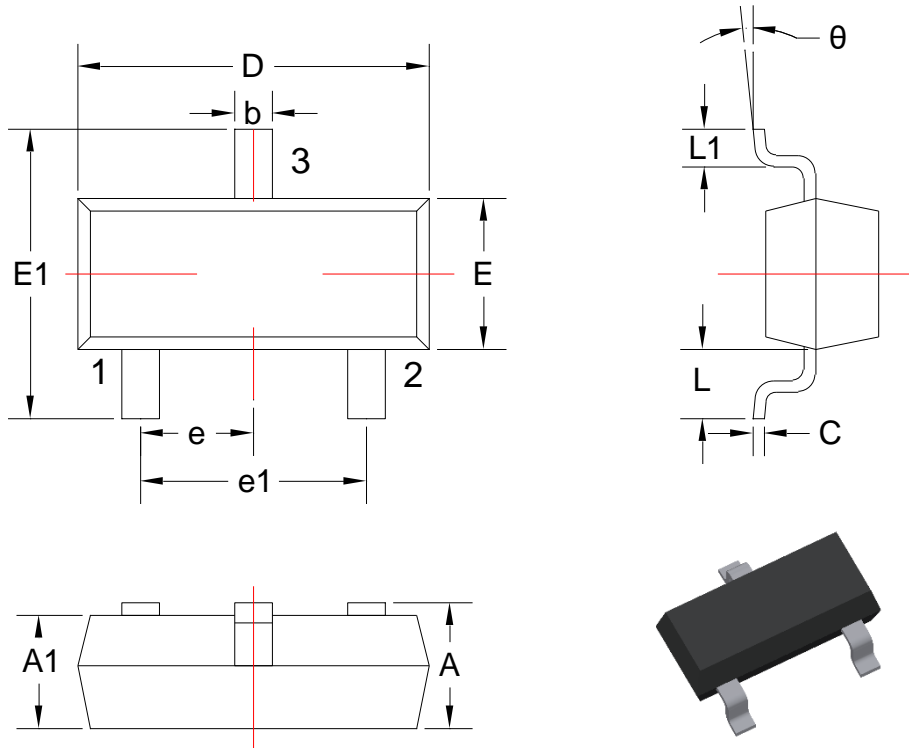
Electrical Characteristics(At TA = 25°C unless otherwise specified)

| Device | Marking | Zener Voltage Range | | | Maximum Zener Impedance | | | Reverse Current | | Temp. Coefficient of Zener voltage@Izt=5mA | |
|-----------|---------|---------------------|------|------|-------------------------|---------|------|-----------------|------|--|-------|
| | | Vz@Izt | | | Zzt@Izt | Zzk@Izk | | IR@VR | | | |
| | | Min | Max | Izt | Max | Max | Izk | Max | VR | Min | Max |
| | | (V) | (V) | (mA) | (Ω) | (Ω) | (mA) | (uA) | (V) | mV/°C | mV/°C |
| BZX84C2V4 | Z11 | 2.2 | 2.6 | 5 | 100 | 600 | 1.0 | 50 | 1.0 | -3.5 | 0.0 |
| BZX84C2V7 | Z12 | 2.5 | 2.9 | 5 | 100 | 600 | 1.0 | 20 | 1.0 | -3.5 | 0.0 |
| BZX84C3V0 | Z13 | 2.8 | 3.2 | 5 | 95 | 600 | 1.0 | 10 | 1.0 | -3.5 | 0.0 |
| BZX84C3V3 | Z14 | 3.1 | 3.5 | 5 | 95 | 600 | 1.0 | 5 | 1.0 | -3.5 | 0.0 |
| BZX84C3V6 | Z15 | 3.4 | 3.8 | 5 | 90 | 600 | 1.0 | 5 | 1.0 | -3.5 | 0.0 |
| BZX84C3V9 | Z16 | 3.7 | 4.1 | 5 | 90 | 600 | 1.0 | 3 | 1.0 | -3.5 | 0.0 |
| BZX84C4V3 | Z17 | 4.0 | 4.6 | 5 | 90 | 600 | 1.0 | 3 | 1.0 | -3.5 | 0.0 |
| BZX84C4V7 | Z1 | 4.4 | 5.0 | 5 | 80 | 500 | 1.0 | 3 | 2.0 | -3.5 | 0.2 |
| BZX84C5V1 | Z2 | 4.8 | 5.4 | 5 | 60 | 480 | 1.0 | 2 | 2.0 | -2.7 | 1.2 |
| BZX84C5V6 | Z3 | 5.2 | 6.0 | 5 | 40 | 400 | 1.0 | 1 | 2.0 | -2.0 | 2.5 |
| BZX84C6V2 | Z4 | 5.8 | 6.6 | 5 | 10 | 150 | 1.0 | 3 | 4.0 | 0.4 | 3.7 |
| BZX84C6V8 | Z5 | 6.4 | 7.2 | 5 | 15 | 80 | 1.0 | 2 | 4.0 | 1.2 | 4.5 |
| BZX84C7V5 | Z6 | 7.0 | 7.9 | 5 | 15 | 80 | 1.0 | 1 | 5.0 | 2.5 | 5.3 |
| BZX84C8V2 | Z7 | 7.7 | 8.7 | 5 | 15 | 80 | 1.0 | 0.7 | 5.0 | 3.2 | 6.2 |
| BZX84C9V1 | Z8 | 8.5 | 9.6 | 5 | 15 | 100 | 1.0 | 0.5 | 6.0 | 3.8 | 7.0 |
| BZX84C10 | Z9 | 9.4 | 10.6 | 5 | 20 | 150 | 1.0 | 0.2 | 7.0 | 4.5 | 8.0 |
| BZX84C11 | Y1• | 10.4 | 11.6 | 5 | 20 | 150 | 1.0 | 0.1 | 8.0 | 5.4 | 9.0 |
| BZX84C12 | Y2• | 11.4 | 12.7 | 5 | 25 | 150 | 1.0 | 0.1 | 8.0 | 6.0 | 10.0 |
| BZX84C13 | Y3 | 12.4 | 14.1 | 5 | 30 | 170 | 1.0 | 0.1 | 8.0 | 7.0 | 11.0 |
| BZX84C15 | Y4 | 13.8 | 15.6 | 5 | 30 | 200 | 1.0 | 0.1 | 10.5 | 9.2 | 13.0 |
| BZX84C16 | Y5 | 15.3 | 17.1 | 5 | 40 | 200 | 1.0 | 0.1 | 11.2 | 10.4 | 14.0 |
| BZX84C18 | Y6• | 16.8 | 19.1 | 5 | 45 | 225 | 1.0 | 0.1 | 12.6 | 12.4 | 16.0 |
| BZX84C20 | Y7 | 18.8 | 21.2 | 5 | 55 | 225 | 1.0 | 0.1 | 14.0 | 14.4 | 18.0 |
| BZX84C22 | Y8 | 20.8 | 23.3 | 5 | 55 | 250 | 1.0 | 0.1 | 15.4 | 16.4 | 20.0 |
| BZX84C24 | Y9 | 22.8 | 25.6 | 5 | 70 | 250 | 1.0 | 0.1 | 16.8 | 18.4 | 22.0 |
| BZX84C27 | Y10 | 25.1 | 28.9 | 2 | 80 | 300 | 0.5 | 0.1 | 18.9 | 21.4 | 25.3 |
| BZX84C30 | Y11• | 28 | 32 | 2 | 80 | 300 | 0.5 | 0.1 | 21.0 | 24.4 | 29.4 |
| BZX84C33 | Y12 | 31 | 35 | 2 | 80 | 325 | 0.5 | 0.1 | 23.1 | 27.1 | 33.4 |
| BZX84C36 | Y13 | 34 | 38 | 2 | 90 | 350 | 0.5 | 0.1 | 25.2 | 30.4 | 37.4 |
| BZX84C39 | Y14 | 37 | 41 | 2 | 130 | 350 | 0.5 | 0.1 | 27.3 | 33.4 | 41.2 |
| BZX84C43 | Y15 | 40 | 46 | 2 | 100 | 700 | 1.0 | 0.1 | 32.0 | 10.0 | 12.0 |
| BZX84C47 | Y16 | 44 | 50 | 2 | 100 | 750 | 1.0 | 0.1 | 35.0 | 10.0 | 12.0 |
| BZX84C51 | Y17 | 48 | 54 | 2 | 125 | 750 | 1.0 | 0.1 | 38.0 | 10.0 | 12.0 |
| BZX84C56 | Y18 | 52 | 60 | 2 | 135 | 700 | 1.0 | 0.1 | 39.0 | 10.0 | 12.0 |
| BZX84C62 | Y19 | 58 | 66 | 2 | 200 | 1000 | 1.0 | 0.2 | 47.0 | 10.0 | 12.0 |
| BZX84C68 | Y20 | 64 | 72 | 2 | 250 | 1000 | 1.0 | 0.2 | 52.0 | 10.0 | 12.0 |
| BZX84C75 | Y21• | 70 | 79 | 2 | 300 | 1000 | 1.0 | 0.2 | 57.0 | 10.0 | 12.0 |

5. Typical Characteristic

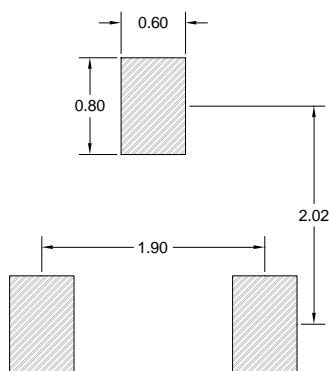


6. Dimension and Patterns (SOT-23)



Units: mm

| Symbol | Dimensions | | Symbol | Dimensions | |
|--------|------------|-------|--------|------------|-------|
| | Min. | Max. | | Min. | Max. |
| A | 0.900 | 1.150 | E1 | 2.250 | 2.550 |
| A1 | 0.900 | 1.050 | e | 0.950TYP | |
| b | 0.300 | 0.500 | e1 | 1.800 | 2.000 |
| c | 0.080 | 0.150 | L | 0.550REF | |
| D | 2.800 | 3.000 | L1 | 0.300 | 0.500 |
| E | 1.200 | 1.400 | θ | 0° | 8° |



Note:

1. Controlling dimension: in millimeters
2. General tolerance: ±0.05mm
3. The pad layout is for reference only
4. Unit: mm

DISCLAIMER

ELECSUPER PROVIDES TECHNICAL AND RELIABILITY DATA (INCLUDING DATASHEETS), DESIGN RESOURCES (INCLUDING REFERENCE DESIGNS), APPLICATION OR OTHER DESIGN ADVICE, SAFETY INFORMATION, AND OTHER RESOURCES "AS IS" AND WITH ALL FAULTS, AND DISCLAIMS ALL WARRANTIES, EXPRESS AND IMPLIED, INCLUDING WITHOUT LIMITATION ANY IMPLIED WARRANTIES OF MERCHANTABILITY, FITNESS FOR A PARTICULAR PURPOSE OR NON-INFRINGEMENT OF THIRD PARTY INTELLECTUAL PROPERTY RIGHTS.

These resources are intended for skilled developers designing with ElecSuper products. You are solely responsible for

- (1) selecting the appropriate ElecSuper products for your application;
- (2) designing, validating and testing your application;
- (3) ensuring your application meets applicable standards, and any other safety, security, or other requirements.

These resources are subject to change without notice. ElecSuper grants you permission to use these resources only for development of an application that uses the ElecSuper products described in the resource. Other reproduction and display of these resources are prohibited. No license is granted to any other ElecSuper intellectual property right or to any third party intellectual property right. ElecSuper disclaims responsibility for, and you will fully indemnify ElecSuper and its representatives against, any claims, damages, costs, losses, and liabilities arising out of your use of these resources. ElecSuper's products are provided subject to ElecSuper's Terms of Sale or other applicable terms available either on www.elecsuper.com or provided in conjunction with such ElecSuper products. ElecSuper's provision of these resources does not expand or otherwise alter ElecSuper's applicable warranties or warranty disclaimers for ElecSuper products.

X-ON Electronics

Largest Supplier of Electrical and Electronic Components

Click to view similar products for [Zener Diodes](#) category:

Click to view products by [ElecSuper](#) manufacturer:

Other Similar products are found below :

[RKZ13B2KG#P1](#) [DL5234B](#) [1N4682](#) [1N4693](#) [1N4732A](#) [1N4736A](#) [1N4750A](#) [1N4759ARL](#) [1N5241B](#) [1N5365B](#) [1N5369B](#) [1N747A](#)
[1N964B](#) [1N966B](#) [1N968B](#) [1N972B](#) [JANS1N4974US](#) [1N4692](#) [1N4702](#) [1N4704](#) [1N4711](#) [1N4714](#) [1N4745ARL](#) [1N4752ARL](#) [1N4760ARL](#)
[1N5221B](#) [1N5242BTR](#) [1N5350B](#) [1N5352B](#) [1N961BRR1](#) [1N964BRL](#) [RKZ5.1BKU#P6](#) [3SMAJ5946B-TP](#) [3SMAJ5950B-TP](#)
[MMSZ5230BQ-13-F](#) [MMSZ5232BQ-13-F](#) [BZX84C7V5](#) [3SMAJ5945B-TP](#) [3SMAJ5947B-TP](#) [3SMBJ5941B-TP](#) [DZ2S240M0L](#) [SMAZ27-](#)
[TP](#) [ZMM5224B-7](#) [RD16UM-T1-A](#) [RD39S-T1-A](#) [RD10S-T1-A](#) [CDZT2R5.6B](#) [1N4762A G](#) [Z1SMA18](#) [JANTX1N4553B](#)