

SuperDiode – 2.2V~70V, 300mW SOT-23 Plastic-Encapsulate Zener Diode



1. Features

- Low Zener impedance
- Power dissipation of 300mW
- High stability and reliability

2. Mechanical Data

- SOT-23 Small Outline Plastic Package
- Epoxy UL: 94V-0
- Mounting Position: Any

3. Outline and Circuit

Part Number	Outline	Circuit
BZX84Cxx		

4. Specification

Absolute Maximum Rating & Thermal Characteristics

Ratings at 25 °C ambient temperature unless otherwise specified.

Parameters	Symbol	Value	Unit
Power Dissipation (Note 1)	P_D	300	mW
Forward Voltage @IF=10mA (Note 2)	V_F	0.9	V
Storage temperature range	T_{STG}	-65~150	°C
Thermal resistance junction to ambient air	R_{thA}	417	K/W

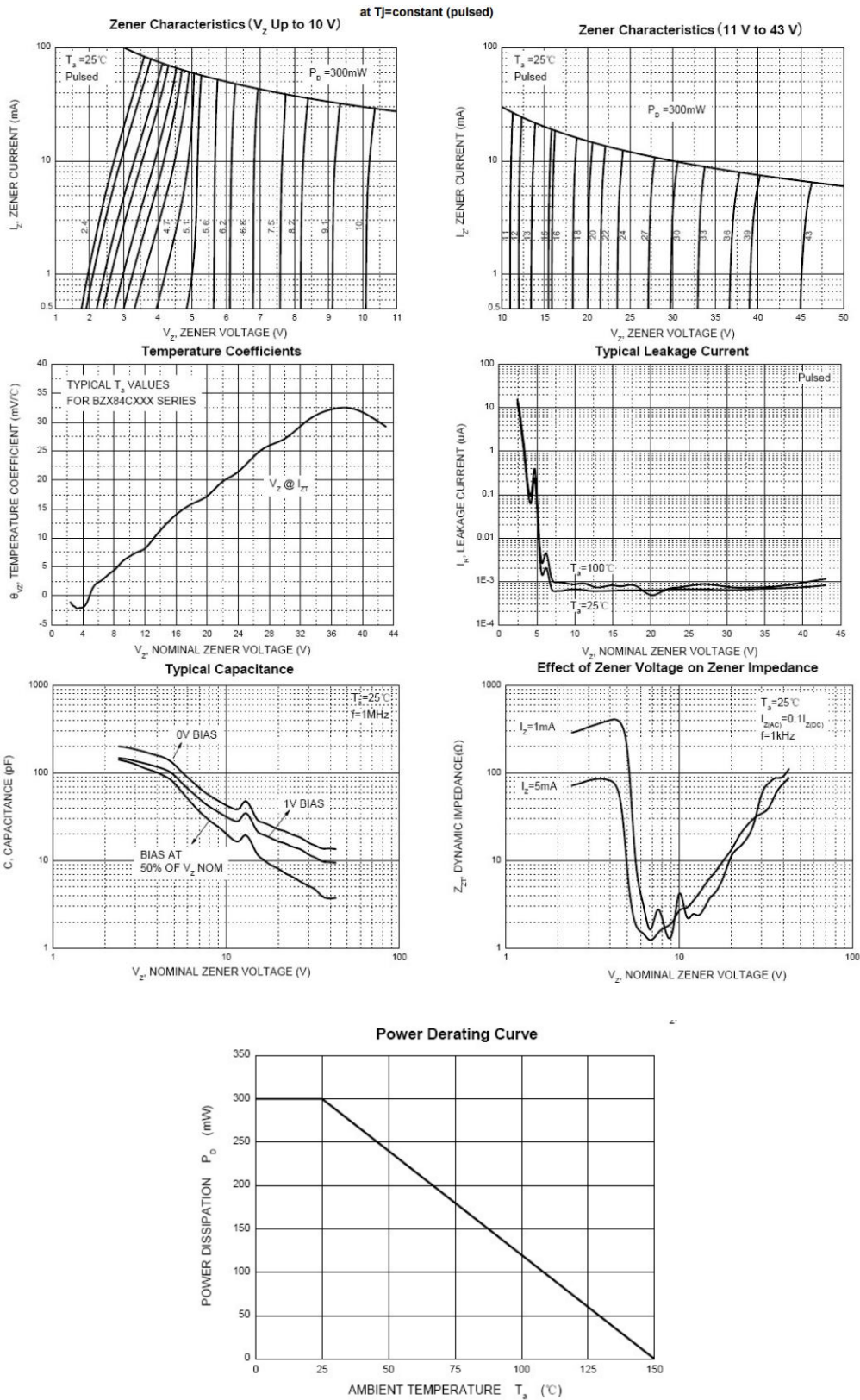
NOTES:

1. Valid provided that device terminals are kept at ambient temperature.
2. Test with pulse, period=5ms, pulse width=300us
3. f=1KHz

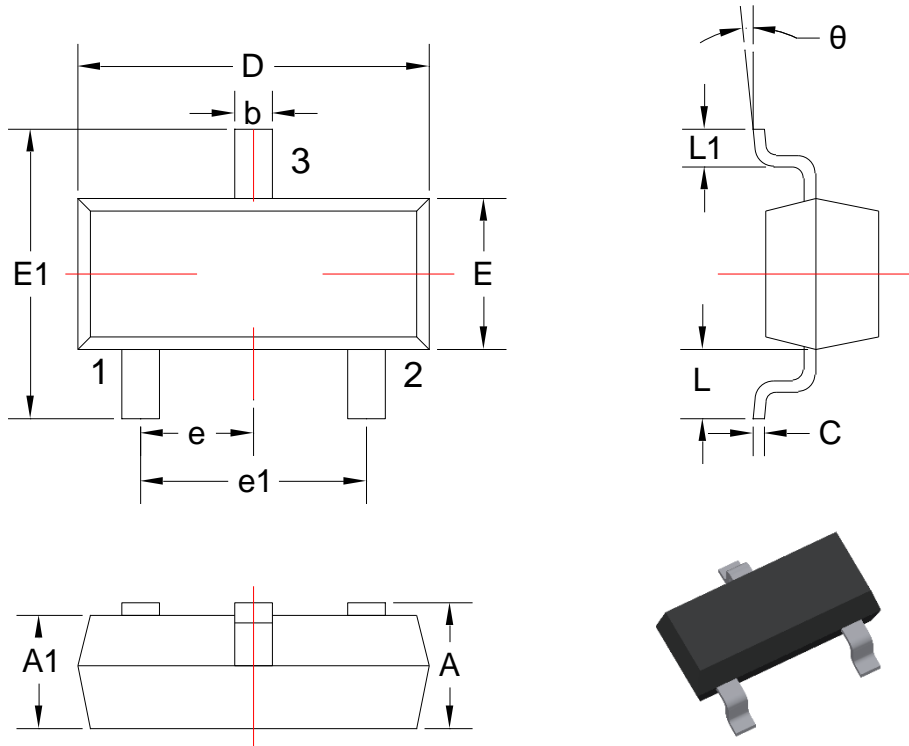
Electrical Characteristics(At TA = 25°C unless otherwise specified)

Device	Marking	Zener Voltage Range			Maximum Zener Impedance			Reverse Current		Temp. Coefficient of Zener voltage@Izt=5mA	
		Vz@Izt			Zzt@Izt	Zzk@Izk		IR@VR			
		Min	Max	Izt	Max	Max	Izk	Max	VR	Min	Max
		(V)	(V)	(mA)	(Ω)	(Ω)	(mA)	(uA)	(V)	mV/°C	mV/°C
BZX84C2V4	Z11	2.2	2.6	5	100	600	1.0	50	1.0	-3.5	0.0
BZX84C2V7	Z12	2.5	2.9	5	100	600	1.0	20	1.0	-3.5	0.0
BZX84C3V0	Z13	2.8	3.2	5	95	600	1.0	10	1.0	-3.5	0.0
BZX84C3V3	Z14	3.1	3.5	5	95	600	1.0	5	1.0	-3.5	0.0
BZX84C3V6	Z15	3.4	3.8	5	90	600	1.0	5	1.0	-3.5	0.0
BZX84C3V9	Z16	3.7	4.1	5	90	600	1.0	3	1.0	-3.5	0.0
BZX84C4V3	Z17	4.0	4.6	5	90	600	1.0	3	1.0	-3.5	0.0
BZX84C4V7	Z1	4.4	5.0	5	80	500	1.0	3	2.0	-3.5	0.2
BZX84C5V1	Z2	4.8	5.4	5	60	480	1.0	2	2.0	-2.7	1.2
BZX84C5V6	Z3	5.2	6.0	5	40	400	1.0	1	2.0	-2.0	2.5
BZX84C6V2	Z4	5.8	6.6	5	10	150	1.0	3	4.0	0.4	3.7
BZX84C6V8	Z5	6.4	7.2	5	15	80	1.0	2	4.0	1.2	4.5
BZX84C7V5	Z6	7.0	7.9	5	15	80	1.0	1	5.0	2.5	5.3
BZX84C8V2	Z7	7.7	8.7	5	15	80	1.0	0.7	5.0	3.2	6.2
BZX84C9V1	Z8	8.5	9.6	5	15	100	1.0	0.5	6.0	3.8	7.0
BZX84C10	Z9	9.4	10.6	5	20	150	1.0	0.2	7.0	4.5	8.0
BZX84C11	Y1•	10.4	11.6	5	20	150	1.0	0.1	8.0	5.4	9.0
BZX84C12	Y2•	11.4	12.7	5	25	150	1.0	0.1	8.0	6.0	10.0
BZX84C13	Y3	12.4	14.1	5	30	170	1.0	0.1	8.0	7.0	11.0
BZX84C15	Y4	13.8	15.6	5	30	200	1.0	0.1	10.5	9.2	13.0
BZX84C16	Y5	15.3	17.1	5	40	200	1.0	0.1	11.2	10.4	14.0
BZX84C18	Y6•	16.8	19.1	5	45	225	1.0	0.1	12.6	12.4	16.0
BZX84C20	Y7	18.8	21.2	5	55	225	1.0	0.1	14.0	14.4	18.0
BZX84C22	Y8	20.8	23.3	5	55	250	1.0	0.1	15.4	16.4	20.0
BZX84C24	Y9	22.8	25.6	5	70	250	1.0	0.1	16.8	18.4	22.0
BZX84C27	Y10	25.1	28.9	2	80	300	0.5	0.1	18.9	21.4	25.3
BZX84C30	Y11•	28	32	2	80	300	0.5	0.1	21.0	24.4	29.4
BZX84C33	Y12	31	35	2	80	325	0.5	0.1	23.1	27.1	33.4
BZX84C36	Y13	34	38	2	90	350	0.5	0.1	25.2	30.4	37.4
BZX84C39	Y14	37	41	2	130	350	0.5	0.1	27.3	33.4	41.2
BZX84C43	Y15	40	46	2	100	700	1.0	0.1	32.0	10.0	12.0
BZX84C47	Y16	44	50	2	100	750	1.0	0.1	35.0	10.0	12.0
BZX84C51	Y17	48	54	2	125	750	1.0	0.1	38.0	10.0	12.0
BZX84C56	Y18	52	60	2	135	700	1.0	0.1	39.0	10.0	12.0
BZX84C62	Y19	58	66	2	200	1000	1.0	0.2	47.0	10.0	12.0
BZX84C68	Y20	64	72	2	250	1000	1.0	0.2	52.0	10.0	12.0
BZX84C75	Y21•	70	79	2	300	1000	1.0	0.2	57.0	10.0	12.0

5. Typical Characteristic

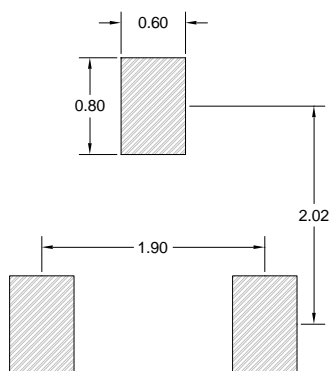


6. Dimension and Patterns (SOT-23)



Units: mm

Symbol	Dimensions		Symbol	Dimensions	
	Min.	Max.		Min.	Max.
A	0.900	1.150	E1	2.250	2.550
A1	0.900	1.050	e	0.950TYP	
b	0.300	0.500	e1	1.800	2.000
c	0.080	0.150	L	0.550REF	
D	2.800	3.00	L1	0.300	0.500
E	1.200	1.400	θ	0°	8°



Note:

1. Controlling dimension: in millimeters
2. General tolerance: $\pm 0.05\text{mm}$
3. The pad layout is for reference only
4. Unit: mm

DISCLAIMER

ELECSUPER PROVIDES TECHNICAL AND RELIABILITY DATA (INCLUDING DATASHEETS), DESIGN RESOURCES (INCLUDING REFERENCE DESIGNS), APPLICATION OR OTHER DESIGN ADVICE, SAFETY INFORMATION, AND OTHER RESOURCES "AS IS" AND WITH ALL FAULTS, AND DISCLAIMS ALL WARRANTIES, EXPRESS AND IMPLIED, INCLUDING WITHOUT LIMITATION ANY IMPLIED WARRANTIES OF MERCHANTABILITY, FITNESS FOR A PARTICULAR PURPOSE OR NON-INFRINGEMENT OF THIRD PARTY INTELLECTUAL PROPERTY RIGHTS.

These resources are intended for skilled developers designing with ElecSuper products. You are solely responsible for

- (1) selecting the appropriate ElecSuper products for your application;
- (2) designing, validating and testing your application;
- (3) ensuring your application meets applicable standards, and any other safety, security, or other requirements.

These resources are subject to change without notice. ElecSuper grants you permission to use these resources only for development of an application that uses the ElecSuper products described in the resource. Other reproduction and display of these resources are prohibited. No license is granted to any other ElecSuper intellectual property right or to any third party intellectual property right. ElecSuper disclaims responsibility for, and you will fully indemnify ElecSuper and its representatives against, any claims, damages, costs, losses, and liabilities arising out of your use of these resources. ElecSuper's products are provided subject to ElecSuper's Terms of Sale or other applicable terms available either on www.elecsuper.com or provided in conjunction with such ElecSuper products. ElecSuper's provision of these resources does not expand or otherwise alter ElecSuper's applicable warranties or warranty disclaimers for ElecSuper products.

X-ON Electronics

Largest Supplier of Electrical and Electronic Components

Click to view similar products for [Zener Diodes](#) category:

Click to view products by [ElecSuper](#) manufacturer:

Other Similar products are found below :

[RKZ13B2KG#P1](#) [DL5234B](#) [1N4682](#) [1N4693](#) [1N4732A](#) [1N4736A](#) [1N4750A](#) [1N4759ARL](#) [1N5241B](#) [1N5365B](#) [1N5369B](#) [1N747A](#)
[1N964B](#) [1N966B](#) [1N968B](#) [1N972B](#) [JANS1N4974US](#) [1N4692](#) [1N4702](#) [1N4704](#) [1N4711](#) [1N4714](#) [1N4745ARL](#) [1N4752ARL](#) [1N4760ARL](#)
[1N5221B](#) [1N5242BTR](#) [1N5350B](#) [1N5352B](#) [1N961BRR1](#) [1N964BRL](#) [RKZ5.1BKU#P6](#) [3SMAJ5946B-TP](#) [3SMAJ5950B-TP](#)
[MMSZ5230BQ-13-F](#) [MMSZ5232BQ-13-F](#) [BZX84C7V5](#) [3SMAJ5945B-TP](#) [3SMAJ5947B-TP](#) [3SMBJ5941B-TP](#) [DZ2S240M0L](#) [SMAZ27-](#)
[TP](#) [ZMM5224B-7](#) [RD16UM-T1-A](#) [RD39S-T1-A](#) [RD10S-T1-A](#) [CDZT2R5.6B](#) [1N4762A G](#) [Z1SMA18](#) [JANTX1N4553B](#)