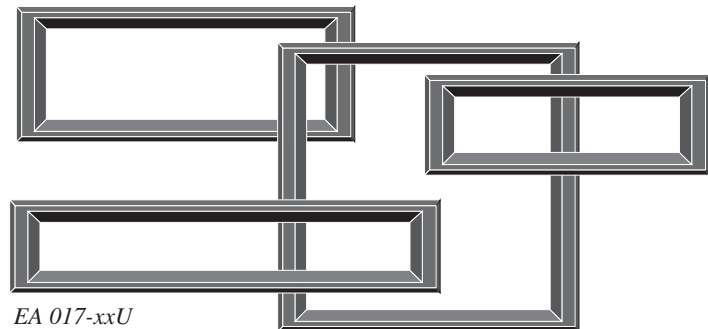
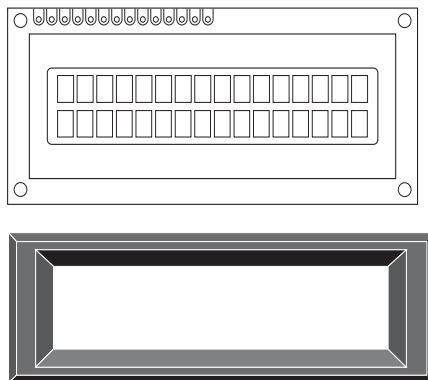


BEZEL

FOR DOTMATRIX AND GRAPHIC DISPLAYS



EA 017-xxU

BEZELS EA 017-XXU SERIES

These bezels give your equipment a professional design without extra tooling. The bezels are made of black ABS-material (UL listed) with a scratch-resistant and structured surface. They include a snap-in appliance for easy mounting of different 1 mm windows. They are available with glass or acrylicglass window, both clear or antiglare version. The bezels are glued into the frontpanel of your equipment.

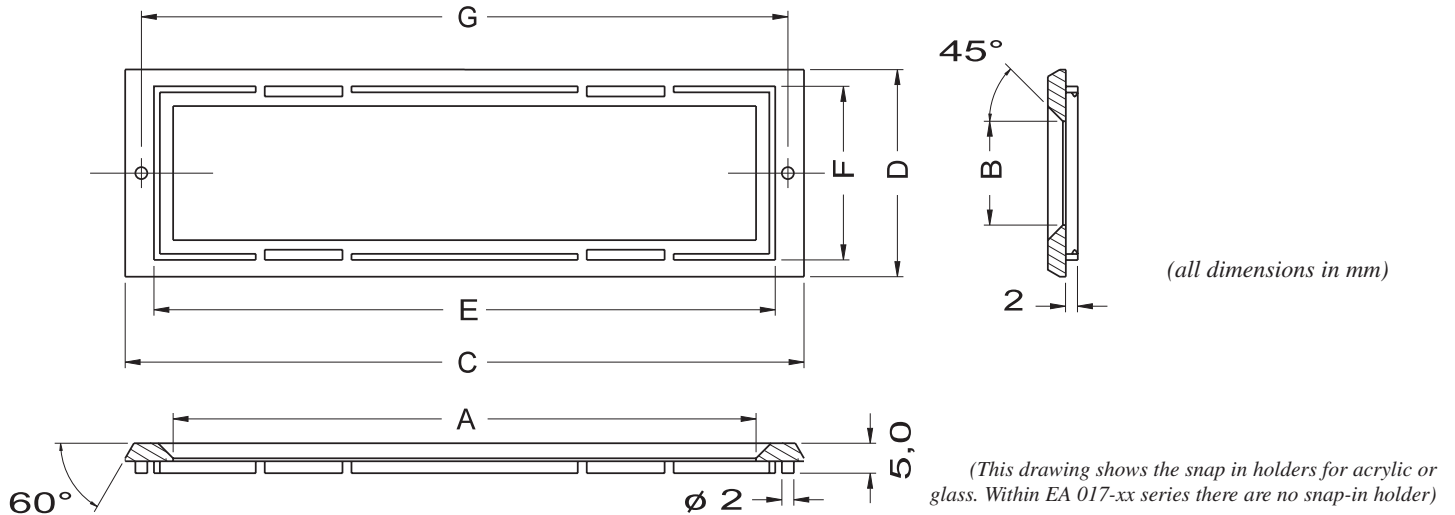
bezel version	ordering information
without window	EA 017-xxU
clear acrylicglass	EA 017-xxUK
antiglare acrylicglass	EA 017-xxUKE
clear glass	EA 017-xxUG
antiglare glass	EA 017-xxUGE

BEZELS EA 017-XX SERIES

These bezels are similar in design (not UL listed), the surface is mat black coated. Acrylicglass windows are available clear or antiglare.

bezel version	ordering information
without window	EA 017-xx
clear acrylicglass	EA 017-xxK
antiglare acrylicglass	EA 017-xxKE

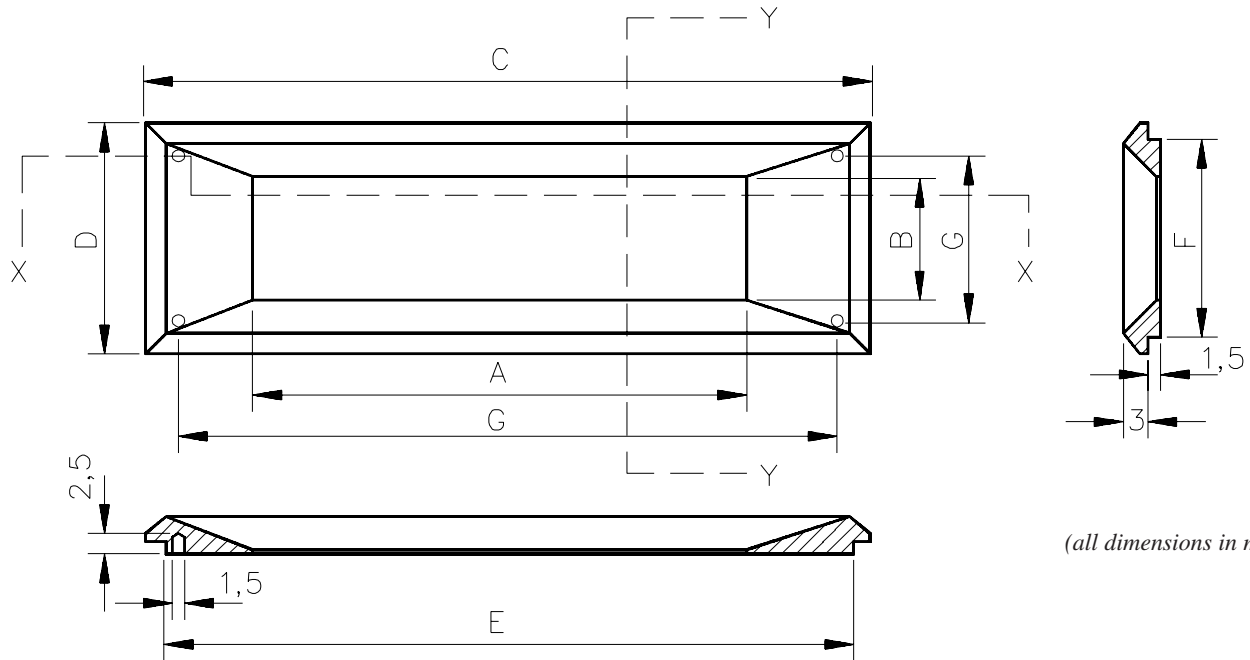
BEZELS FOR DOTMATRIX MODULES EA 017-xxU AND EA 017-xx SERIES



Ordering information	viewing area		bezel size		cutout		studs G	matching lcd-module dotmatrix / graphic
	A	B	C	D	E	F		
EA 017-1U	63,5	12,8	79,5	25,0	69,7	19,2	74,5	EA 7161-A 1x16
EA 017-2U	60,0	14,8	76,0	27,0	66,2	21,2	71,0	EA 7162 2x16
EA 017-3	131,5	13,0	147,5	25,2	137,7	19,4	142,5	(EA 7321) 1x32
EA 017-4U	153,0	14,8	169,0	27,0	159,2	21,2	164,0	EA 7402 2x40
EA 017-5	140,0	15,8	156,0	28,0	146,2	22,2	151,0	EA 7322-B 2x32
EA 017-6U	98,5	12,8	114,5	25,0	104,7	19,2	109,5	EA 7161-E 1x16
EA 017-7U	81,5	17,2	97,5	29,4	87,7	23,6	92,5	EA 7202 2x20
EA 017-8U	60,8	24,2	76,8	36,4	67,0	30,6	71,8	EA 7164 4x16
EA 017-9U	75,0	24,2	91,0	36,4	81,2	30,6	86,0	EA 7204 4x20
EA 017-10U	131,0	38,0	147,0	50,2	137,2	44,4	142,0	EA 7240-6 240x64
EA 017-12U	97,4	22,4	113,4	34,6	103,6	28,8	108,4	EA 7162-B 2x16
EA 017-13U	145,0	28,0	161,0	40,2	151,2	34,4	156,0	EA 7404 4x40
EA 017-14U	92,0	14,8	108,0	27,0	98,4	21,2	103,0	EA 7242 2x24
EA 017-15U	68,0	68,0	84,0	80,2	74,2	74,4	79,0	EA VK-2128 128x128
EA 017-16U	75,0	39,0	91,0	51,2	81,2	45,4	86,0	EA VK-2080 160x80
EA 017-17U	58,0	32,5	74,0	44,7	64,2	38,9	69,0	EA VK-2064 128x64
EA 017-18U	99,5	80,5	115,5	92,7	105,7	86,9	110,5	EA VK-5160 160x128
EA 017-23	121,0	12,0	137,0	24,2	127,2	18,4	132,0	EA 8201-B 1x20
EA 017-27	145,0	33,8	161,0	46,0	151,2	40,2	156,0	EA 8202-C 2x20
EA 017-28	145,0	63,9	161,0	76,1	151,2	70,3	156,0	EA 8204-C 4x20

The panel cutout should be 0.2 to 0.5 mm larger than dimension EF. The bezel is centered to the cutout by 2 studs with 2mm diameter.

BEZELS FOR DOTMATRIX MODULES EA 07 SERIES

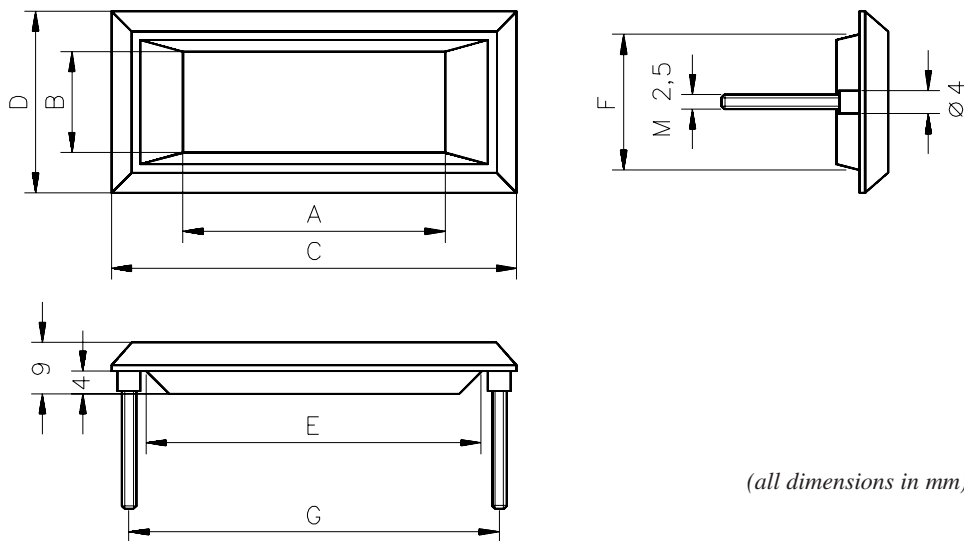


Ordering information	viewing area		bezel size		cutout		mounting G	matching module
	A	B	C	D	E	F		
EA 07-B	97,0	12,0	122,0	25,0	118,0	21,0	114 x 17	EA 7161-E/-F
EA 07-C	60,0	15,0	88,0	28,0	84,0	24,0	80 x 20	EA 7162 a.o.
EA 07-D	82,0	17,0	107,0	30,0	103,0	26,0	99 x 20	EA 7202 a.o.
EA 07-E	151,0	15,0	176,0	28,0	174,0	24,0	169 x 20	EA 7402 a.o.

The bezels from the EA 07 series are always delivered without acrylicglass window.

BEZELS FOR FRONTPANEL DESIGN AND MOUNTING

STANDARD BEZELS WITH SCREWPINS M2,5 FOR LCD-MODULES FROM SERIES EA 11xx, EA 21xx, EA 31xx, 41xx AND EA 61xx



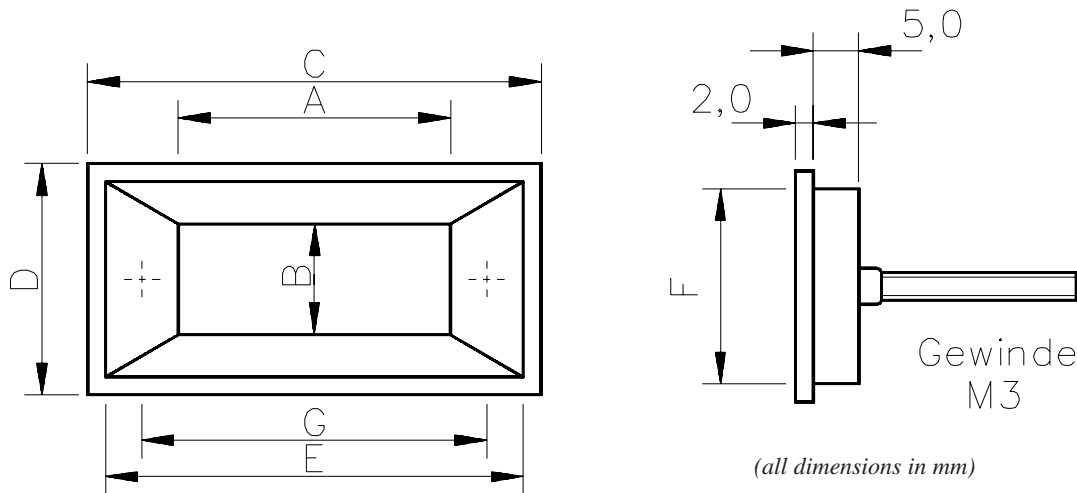
(all dimensions in mm)

Ordering information	viewing area		bezel size		cutout		mounting	matching module
	A	B	C	D	E	F	G	
EA 03	45,6	17,7	70,0	32,0	54,5	22,0	61 / M2,5	13mm 4digit
EA 08-N	62,2	22,6	87,0	36,6	72,7	28,2	80,3/ M2,5	18mm 4digit
EA 09	86,2	17,7	113,0	32,0	96,0	22,0	104 / M2,5	13mm 8digit
EA 050-N	160,0	56,0	189,0	73,0	173,2	62,3	180,3 x 61	50mm 4digit

The bezels have two (EA 050-N: four) screwpins M2,5 for mounting the LCD-module on the frontpanel. The delivery includes the matching nuts.

At 5 pcs off we can deliver these bezels (excl. EA 050-N) with pasted acrylicglass (thickness 1mm).

FRONTPANEL AND MOUNTING BEZELS FOR LED-MODULES WITH 12, 19, 25mm DIGIT HEIGHT

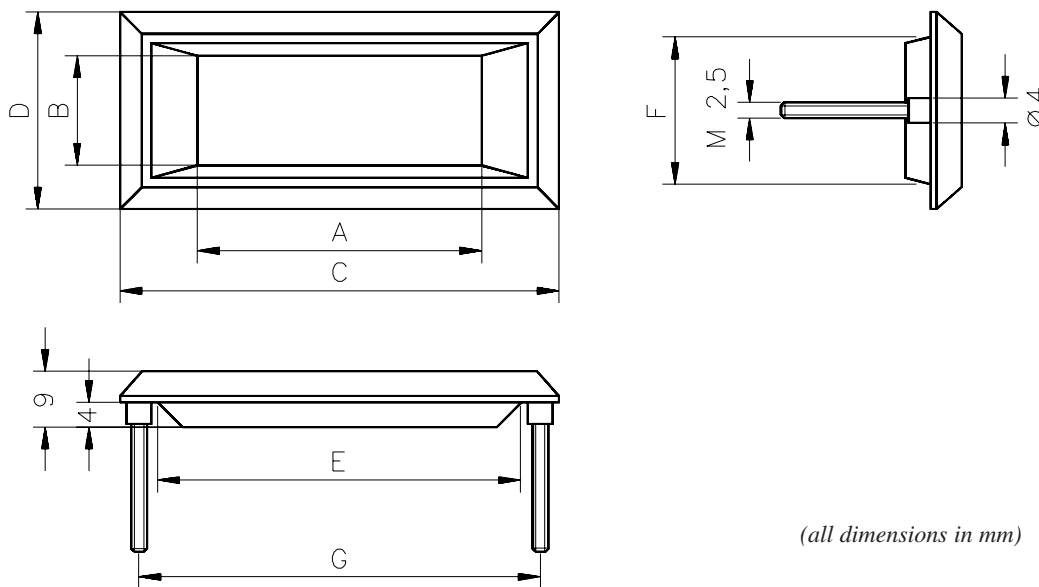


(all dimensions in mm)

Ordering information	viewing area		bezel size		cutout		mounting G	matching module
	A	B	C	D	E	F		
EA 074-R	42,7	12,2	63,0	25,5	59,0	21,5	48,5/ M3	4 Digit (LED)
EA 079-R	106,0	12,2	125,5	25,5	121,5	21,5	114,5/ M3	9 Digit (LED)
EA 083-R	43,0	25,0	62,5	38,0	58,5	34,0	50 / M3	3 Digit (LED)
EA 087-K/-R	93,0	25,0	114,0	38,0	110,0	34,0	101	8 Digit (LED)
EA 093-R	38,0	19,5	59,0	32,0	55,0	28,0	45 / M3	3 Digit (LED)
EA 094-R	50,0	19,5	70,5	32,0	66,5	28,0	58 / M3	4 Digit (LED)
EA 096-R	77,0	19,5	97,0	32,0	93,0	28,0	84 / M3	6 Digit (LED)

These bezels are usually delivered with a red acrylicglass window. Alternatively you can order a clear acrylicglass window. The ordering information is now e.g: **EA 096-K** insted of **EA 096-R**.

FRONTPANEL AND MOUNTING BEZELS FOR SPECIAL MODULES



Ordering information

viewing area	bezel size	cutout	mounting	matching module
EA 033-K	45,7 18,2 72,0 36,0	68,0 33,0	62 x 27	EA 4060-DP
EA 033-R	45,7 18,2 72,0 36,0	68,0 33,0	62 x 27	EA 4040-DP
EA 044	32,5 13,0 48,0 24,0	45,0 22,5	snap-in	EA 4044
EA 055	42,5 17,5 60,0 30,0	57,0 27,0	snap-in	EA 4055/-S
EA 055-31	42,5 17,5 60,0 30,0	57,0 27,0	snap-in	EA 1031-N,EA 4050

The snap-in bezel is delivered in two parts: the bezel and the window. The bezel is pressed from the frontside into the frontpanel and the corresponding module is snapped in from the rearside of the frontpanel. Finally the window is pasted up to the bezel.

X-ON Electronics

Largest Supplier of Electrical and Electronic Components

Click to view similar products for [LCD Character Display Modules & Accessories](#) category:

Click to view products by [ELECTRONIC ASSEMBLY](#) manufacturer:

Other Similar products are found below :

[HG9Z-AC501](#) [HG9Z-SCI25B](#) [LCM-S01602DTRA-3](#) [HDM16216L-S-L30S](#) [HG9Z-XC213](#) [EA FL-10P](#) [MDLS-81809-LV-GLED4G](#) [MDLS-20265-LV-GLED4G](#) [NMTC-S16205DFYHSAY-22](#) [NHD-0420AZ-FSW-GBW-33V33-0](#) [CM1644-SGR1](#) [162A BC BW](#) [LCM-S02002DSM-Y](#) [162D BA BC](#) [HDM24216H-2-P9XS](#) [RC1602B-GHY-CSXD](#) [RC1602D-YHY-ESX](#) [RC2004A-BIW-ESX](#) [DEM 08171 SYH-LY](#) [DEM 08172 SYH-PY](#) [DEM16101SYH-LY](#) [DEM 16210 SGH](#) [DEM 16214 FGH-PW](#) [DEM16216SYH-LY](#) [DEM 16217 SYH-PY](#) [DEM 16221 SYH](#) [DEM 16221 SYH \(FFCF/TR\)/V](#) [DEM 16227 FGH-PW](#) [DEM 16227 SBH-PW-N](#) [DEM 16227 SYH-LY](#) [DEM 20231 SYH-PY-CYR22](#) [DEM 20232 SBH-PW-N](#) [DEM 20233 SYH-LY](#) [DEM 20485 SBH-PW-N](#) [DEM20485SY](#) [DEM 20485 SYH-LY-CYR22](#) [DEM 20488 SYH-PY](#) [DEM 24252 SYH-LY](#) [DEM 40271 SYH-LY-CYR22](#) [DEM 40491 SYH-LY](#) [EA 9907-DIP](#) [GLK12232A25SMUSBWBVSE](#) [GLK12232A25SMUSBGWVSE](#) [DEM 20487 SYH-LY-CYR22](#) [DEM 16215 SBH-PW-N](#) [LCM-H12864GSF/H-Y](#) [GLK19264A-7T-1U-USB-TCI](#) [RC1602A-GHW-CSX](#) [RC2001A-YHY-CSX](#) [DEM 08171 FGH-PW](#)