

LCD GRAPHIC 122x32

INCL. CONTROLLER FOR 8 BIT BUS



blue-white: EA DIP122B-5NLW
Dimension 75 x 27 mm

**no more mounting
required**

yellow/green: EA DIP122-5HNLED
Dimension 68 x 27 mm



amber: EA DIP122J-5NLA
Dimension 75 x 27 mm

FEATURES

- * HIGH CONTRAST LCD DISPLAY AS STN AND FSTN
- * CLASSIC LINE YELLOW/GREEN: EA DIP122-5HNLED
- * OR BLUE-WHITE EA DIP122B-5NLW
- * BUILT IN CONTROLLER PT6520 OR COMPATIBLE
- * INTERFACE FOR 8 BIT DATA BUS
- * POWER SUPPLY +2.7~5V / -6.3~-4V 800µA max.
- * LED BACKLIGHT Y/G max. 150mA@+25°C
- * LED BACKLIGHT AMBER AND WHITE max. 45mA@+25°C
- * SOME MORE MODULES WITH SAME MECHANIC AND SAME PINOUT:
DOTMATRIX 1x8, 2x16, 4x20 AND 128x64, 240x128 WITH LARGER OUTLINE
- * NO SCREWS REQUIRED: SOLDER ON IN PCB ONLY
- * DETACHABLE VIA 9-PIN SOCKET EA B200-9 (2 PCS. REQUIRED)
- * OPERATING TEMPERATURE RANGE 0~+50°C OR
- * -20~+70°C OPERATING TEMP. WITH BUILT-IN TEMP. COMP. CIRCUIT

ORDERING INFORMATION

LCD GRAPHIC MODULE 122x32, WITH BACKLIGHT Y/G
Y/G FOR -20~+70°C OPERATING TEMP. RANGE
BLUE-WHITE FOR -20~+70°C, LOW POWER
AMBER FOR -20~+70°C
9-PIN SOCKET, HEIGHT 4.3mm (2 PCS. REQUIRED)
HIGH-LEVEL-GRAPHICSCONTROLLER WITH RS-232C

EA DIP122-5NLED
EA DIP122-5HNLED
EA DIP122B-5NLW
EA DIP122J-5NLA
EA B200-9
EA IC1520-1PGH

**ELECTRONIC
ASSEMBLY**

making things easy

CONTRAST ADJUSTMENT

Contrast voltage for all displays of EA DIP122-5 series is typ. -4V. That means that for 5V power supply an additional negative voltage of min. 4V is required.

Display modules for -20..+70°C (-5HNLED, -5NLW and -5NLA) are equipped with an on-board temperature compensation. So there's no more need for contrast adjustment while operation anymore.

Furthermore these 3 displays are featured with a superfast STN/FSTN liquid that allows fast response even at very low temperatures: typical response time at -20°C is 2 seconds only.

BACKLIGHT

Driving the backlight requires a current source or an external resistor for current limit. Please take care of derating for $t_a > +25^\circ\text{C}$. U_f for yellow/green backlight is 3.9~4.2V, 2.2~2.6V (amber) and 3.0~3.6V for white LED backlight.

Note: Do never drive backlight direct to 5V; immediately damage may happen !

YELLOW/GREEN - BLUE - AMBER

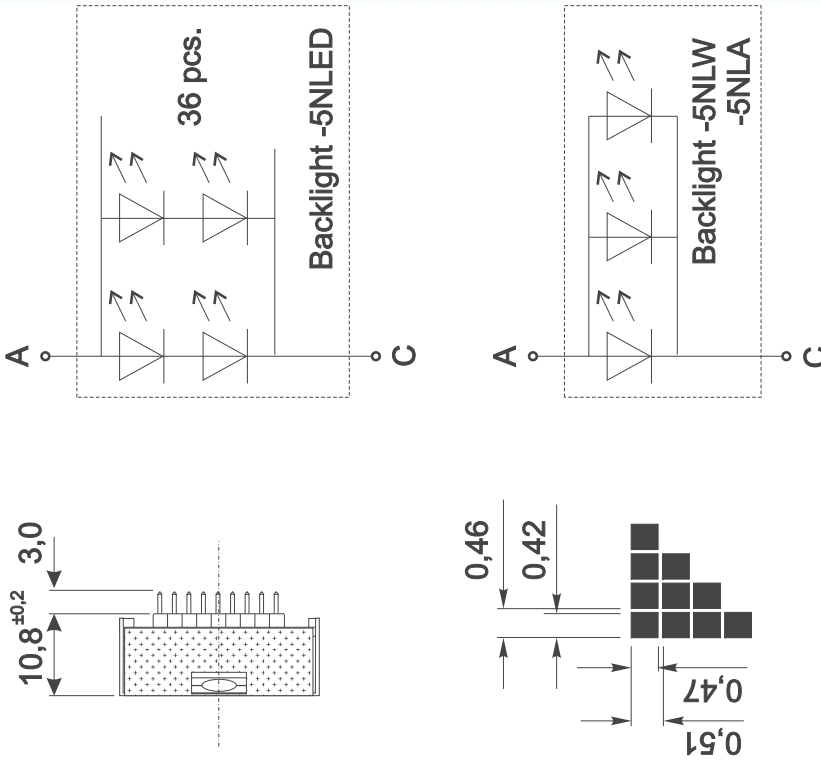
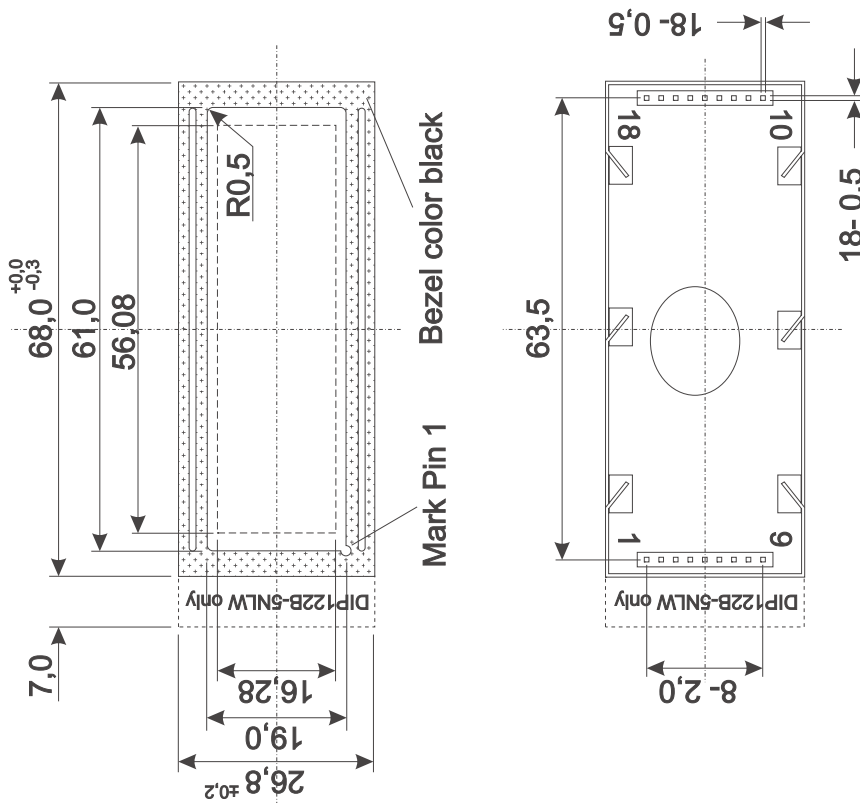
The blue-white display EA DIP122B-5NLW is best for indoor use with and without ambient light. Reading the display requires a minimum of backlight with about 15mA.

The yellow/green version EA DIP122-5NLED is especially designed for 24-hour or outdoor applications.

These displays do provide best contrast for all ambient illuminations, even with direct sunlight. No need to say that these display can be read in darkness when LED backlight is switched on.

This is same for the amber backlighted version EA DIP122J-5NLA.

DIMENSIONS



all dimensions are in mm

Note:
In general LC display are not suitable for wave soldering and reflow soldering process. An ambient temperature above 80°C may destroy the display.



ELECTRONIC ASSEMBLY

making things easy

X-ON Electronics

Largest Supplier of Electrical and Electronic Components

Click to view similar products for [LCD Graphic Display Modules & Accessories](#) *category:*

Click to view products by [ELECTRONIC ASSEMBLY](#) *manufacturer:*

Other Similar products are found below :

[HDM64GS12L-Y11S](#) [MGLS-240128-Z05](#) [DEM 128064C1 FGH-PW](#) [DEM 128064U FGH](#) [DEM 240064E FGH-PW](#) [11557](#) [18396](#) [15932](#)
[TMH2GDB](#) [HDM64GS24L-2-Y14S](#) [RG12864B-FHW-V](#) [RG12864C-YHW-V](#) [RG12864K-BIW-VBG](#) [RG320240A1-BIW-V](#) [DEM 128064A](#)
[SBH-PW-N](#) [DEM 128064B SBH-PW-N](#) [DEM 128064G FGH-PW](#) [DEM 128064O FGH-PW](#) [DEM 128064O SBH-PW-N](#) [DEM 128064P](#)
[SBH-PW-N](#) [DEM 128064Q SBH-PW-N](#) [DEM 128128D FGH-PW](#) [DEM 240064B FGH-PW](#) [DEM 240064B SBH-PW-N](#) [DEM 320240B](#)
[FGH-PW-N](#) [16239](#) [RX12864A1-BIW](#) [RX240128A-FHW](#) [RX240160A-FHW](#) [18370](#) [19340](#) [RG24064A-TIW-V](#) [EA FL-14P](#) [GLK19264A-](#)
[7T-1U-TCI](#) [GLK19264A-7T-1U-USB-WB](#) [DEM 320240I SBH-PW-N](#) [GLK24064R-25-1U-WB](#) [DEM 240160A FGH-PW](#) [RG12864B1-BIW-](#)
[V](#) [RG240128B-BIW-V](#) [RG24064A-FHW-V](#) [DEM 122032B SYH-LY](#) [DEM 128064A FGH-PW \(A-TOUCH\)](#) [DEM 128064A SBH-PW-N \(A-](#)
[TOUCH\)](#) [DEM 128064B FGH-PW](#) [DEM 128064H SBH-PW-N](#) [DEM 128064J FGH-PW](#) [DEM 128064K SBH-PW-N](#) [DEM 128064P FGH-](#)
[PW](#) [DEM 320240C SBH-PW-N](#)