

IP67 Sealed Toggle Switches

Highest quality for the most demanding applications



3000 Series

Standard 15/32" diameter bushing. Standard Bat length is .560".

Current Rating	Catalog No.		Action	Termination
15A -125VAC, 10A-250VAC	3005C	Fig 1	SPST on-none-off	.250" QC
15A -125VAC, 10A-250VAC	3005D	Fig 2	SPST on-none-off	6" Wire Leads, #14 Gauge
15A -125VAC, 10A-250VAC	3001C	Fig 1	SPDT on-none-on	.250" QC
15A -125VAC, 10A-250VAC	3001D	Fig 2	SPDT on-none-on	6" Wire Leads, #14 Gauge
15A -125VAC, 10A-250VAC	3002C	Fig 1	SPDT on-off-on	.250" QC
15A -125VAC, 10A-250VAC	3002D	Fig 2	SPDT on-off-on	6" Wire Leads, #14 Gauge

3000 Series Toggle

Electrical Rating: 15A - 125 VAC , 10A - 250 VAC

Life Cycles: 100,000 Electrical 100,000 Mechanical

Operating Temp: -10 °C to +65 °C

Sealing: seal tested per IP67 standards to withstand submersion in water to a depth of 1 meter for 30 minutes, Meets IP68

Dielectric Strength 1000 Volts RMS Minimum

Mounting Means 15/32" Bushing, Keyway .078 - .083 Wide X .037 - .043 Deep, Standard Hardware supplied

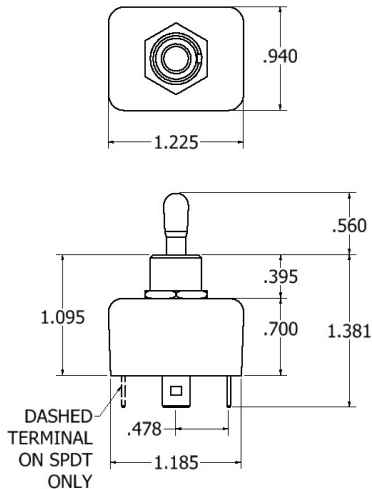


Fig 1

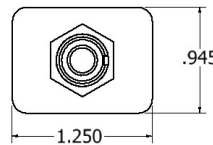
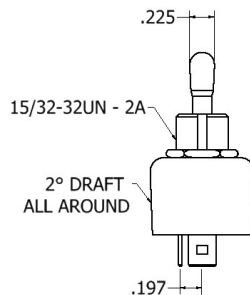
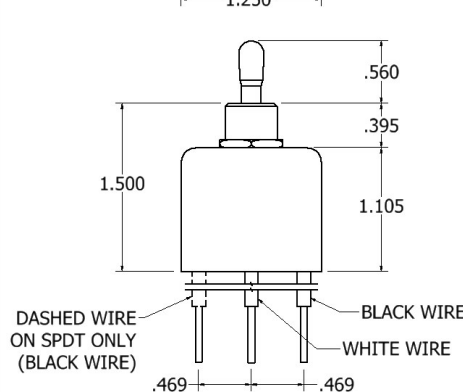


Fig 2



All Information subject to change without notice

X-ON Electronics

Largest Supplier of Electrical and Electronic Components

Click to view similar products for [Toggle Switches](#) category:

Click to view products by [Electroswitch](#) manufacturer:

Other Similar products are found below :

[8928K478](#) [020017-13](#) [60012L](#) [6006L](#) [CS115W](#) [CS120W](#) [637H/25](#) [6663](#) [7101SPDV30BE](#) [7103SDV30BE](#) [7105D](#) [7108P3YAV2BE](#)
[71YY50282](#) [7300K36](#) [7301K38](#) [7306K36](#) [7310K36](#) [7506K4](#) [7592K6](#) [7660K12](#) [7691K14](#) [7700K1](#) [8396K108](#) [8824K14](#) [8828K13](#) [8835K3](#)
[8858K44](#) [PS83-121G](#) [1-1825192-0](#) [A201SCWZB04](#) [A207SYCB04](#) [A208J61ZQ0004](#) [A221T1TCQ](#) [A232M1YCQ](#) [A323S1CWZQ](#)
[A423S1CWZG-M8](#) [1201W](#) [12156AX408](#) [12147AGKX679](#) [12246X778](#) [12TW49-3D](#) [130312](#) [13037L](#) [13001X](#) [AE101MD1W4B04](#)
[AE208SD1W4B04](#) [MS24659-22D](#) [MS27407-5](#) [1520230-9](#) [1520231-1](#)