

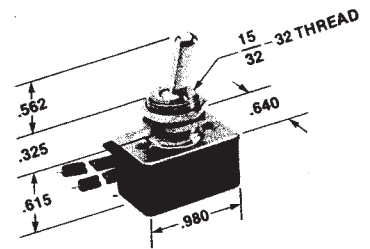
Wire Lead Toggle & Push Button Switches

RATINGS	CIRCUIT	ACTION	TOGGLE		BUSHING LENGTH	CATALOG NUMBER	TYPE OF TERMINATION	ACTUATOR MATERIAL
			TYPE	LENGTH				

6600 SERIES TOGGLE

Optional Lead Lengths Available Upon Request

10A-125VAC 8A-125V 4A-250V 1/3 HP, 125VAC	SPST	OFF-ON	BAT	.562	.325	6600	6" WIRE LEADS 1/2" STRIPPING #18 GAUGE	NICKEL PLATED BRASS
			BAT	.812	.325	6601		
			BAT	.687	.468	6601-100		
			BALL	.375	.325	6602		
			BAT	.562	.325	6603		PLASTIC
12A-125VAC 8A-125V 4A-250V 1/3 HP, 125VAC	SPST	OFF-ON	BAT	.562	.325	6630	6" WIRE LEADS 1/2" STRIPPING #16 GAUGE	NICKEL PLATED BRASS
			BAT	.812	.325	6631		
			BAT	.687	.468	6631-100		
			BALL	.375	.325	6632		
15A-125VAC 1/2 HP, 125VAC	SPST	OFF-ON	BAT	.562	.325	6606	6" WIRE LEADS 1/2" STRIPPING #16 GAUGE	NICKEL PLATED BRASS
			BAT	.812	.325	6607		
			BAT	.687	.468	6607-100		
			BALL	.375	.325	6608		

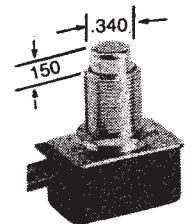


RATINGS	CIRCUIT	ACTION	ACTUATOR	CATALOG NUMBER	TYPE OF TERMINATION
---------	---------	--------	----------	----------------	---------------------

6611 & 6612 SERIES PUSHBUTTON

Optional Lead Lengths Available Upon Request

10A-125VAC 8A-125V 4A-250V 1/3HP-125VAC	SPST	PUSH ON/PUSH OFF	METAL PLUNGER	6611	6" WIRE LEADS 1/2" STRIPPING #18 GAUGE
			METAL LOW PROFILE	6611-LP	
			NYLON PLUNGER	6612	
12A-125VAC 8A-125V 4A-250V 1/3HP-125VAC	SPST	PUSH ON/PUSH OFF	METAL PLUNGER	6641	6" WIRE LEADS 1/2" STRIPPING #16 GAUGE
			METAL LOW PROFILE	6641-LP	
			NYLON PLUNGER	6642	
15A-125VAC 1/2HP-125VAC	SPST	PUSH ON/PUSH OFF	METAL PLUNGER	6616	6" WIRE LEADS 1/2" STRIPPING #16 GAUGE
			METAL LOW PROFILE	6616-LP	
			NYLON PLUNGER	6617	



6 SERIES L.P.

SPECIFICATIONS

Agency Listings

CSA Certified

Contact Mechanism

Quick-Make/Quick-Break Wiping Action

Contact Material

6600-6632 Series: Copper Alloy

6611-6642 Series: Copper Alloy

6606-6608 Series:

6616-6617 Series:

Stationary - Copper Alloy With Silver Cadmium Oxide Inlay

Movable - Copper Alloy/Silver Plated

Dielectric Strength

1000 Volts RMS Minimum

Mounting Means

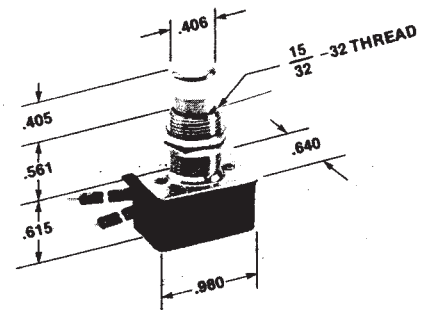
15/32" Diameter Threaded Bushing

Keyway .078-.083 Wide X .037-.043 Deep

Standard Hardware Supplied —

One Hex Nut Assembled And

One Hex Nut Unassembled



X-ON Electronics

Largest Supplier of Electrical and Electronic Components

Click to view similar products for [Pushbutton Switches](#) category:

Click to view products by [Electroswitch](#) manufacturer:

Other Similar products are found below :

[8940K2012](#) [LW1L-M1C10V-A](#) [LW1L-M1C70-A](#) [LW2L-A1C20M-GD](#) [LW2L-M1C20M-A](#) [60324L](#) [M22-D-R-GB0/K11](#) [M7E-HRN2](#)
[67021K512](#) [67081K512X](#) [701PB580](#) [7190K101](#) [7199K101](#) [810K12910](#) [810KSV30B](#) [MML21EA2ADK](#) [MML21KA3ABK](#)
[MML23KA3AC05K-001](#) [MML23KW3AA01W](#) [8418K2](#) [8442K3](#) [8450K1](#) [860K11911T01A](#) [861901](#) [861K11911T01A07](#)
[861K13810T00A14](#) [861K13911](#) [8646AB6X718UL](#) [8646ABUL](#) [9001KXRK](#) [907AYY100](#) [PMHD155A1](#) [95-313.000](#)
[9533CD4+U574+U4922](#) [95-414.000](#) [99-450.837](#) [99-453.837](#) [PV3H2B0NN-341](#) [1203MRA](#) [A22NZBGANGA](#) [A22NZBMMNGA](#)
[A22NZBNANGA](#) [A22NZMPATRA](#) [A2PMA1X03EC56](#) [A3A-5123-02](#) [A3A-7140](#) [A3A-7310](#) [A3A-7340](#) [A3U-TMW-A2C-5M](#) [A595](#)