

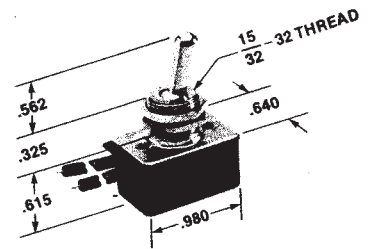
Wire Lead Toggle & Push Button Switches

RATINGS	CIRCUIT	ACTION	TOGGLE		BUSHING LENGTH	CATALOG NUMBER	TYPE OF TERMINATION	ACTUATOR MATERIAL
			TYPE	LENGTH				

6600 SERIES TOGGLE

Optional Lead Lengths Available Upon Request

10A-125VAC 8A-125V 4A-250V 1/3 HP, 125VAC	SPST	OFF-ON	BAT	.562	.325	6600	6" WIRE LEADS 1/2" STRIPPING #18 GAUGE	NICKEL PLATED BRASS
			BAT	.812	.325	6601		
			BAT	.687	.468	6601-100		
			BALL	.375	.325	6602		
			BAT	.562	.325	6603		PLASTIC
12A-125VAC 8A-125V 4A-250V 1/3 HP, 125VAC	SPST	OFF-ON	BAT	.562	.325	6630	6" WIRE LEADS 1/2" STRIPPING #16 GAUGE	NICKEL PLATED BRASS
			BAT	.812	.325	6631		
			BAT	.687	.468	6631-100		
			BALL	.375	.325	6632		
15A-125VAC 1/2 HP, 125VAC	SPST	OFF-ON	BAT	.562	.325	6606	6" WIRE LEADS 1/2" STRIPPING #16 GAUGE	NICKEL PLATED BRASS
			BAT	.812	.325	6607		
			BAT	.687	.468	6607-100		
			BALL	.375	.325	6608		

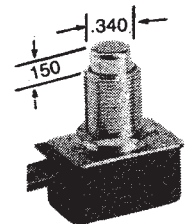


RATINGS	CIRCUIT	ACTION	ACTUATOR	CATALOG NUMBER	TYPE OF TERMINATION
---------	---------	--------	----------	----------------	---------------------

6611 & 6612 SERIES PUSHBUTTON

Optional Lead Lengths Available Upon Request

10A-125VAC 8A-125V 4A-250V 1/3HP-125VAC	SPST	PUSH ON/PUSH OFF	METAL PLUNGER	6611	6" WIRE LEADS 1/2" STRIPPING #18 GAUGE
			METAL LOW PROFILE	6611-LP	
			NYLON PLUNGER	6612	
12A-125VAC 8A-125V 4A-250V 1/3HP-125VAC	SPST	PUSH ON/PUSH OFF	METAL PLUNGER	6641	6" WIRE LEADS 1/2" STRIPPING #16 GAUGE
			METAL LOW PROFILE	6641-LP	
			NYLON PLUNGER	6642	
15A-125VAC 1/2HP-125VAC	SPST	PUSH ON/PUSH OFF	METAL PLUNGER	6616	6" WIRE LEADS 1/2" STRIPPING #16 GAUGE
			METAL LOW PROFILE	6616-LP	
			NYLON PLUNGER	6617	



6 SERIES L.P.

SPECIFICATIONS

Agency Listings

CSA Certified

Contact Mechanism

Quick-Make/Quick-Break Wiping Action

Contact Material

6600-6632 Series: Copper Alloy

6611-6642 Series: Copper Alloy

6606-6608 Series:

6616-6617 Series:

Stationary - Copper Alloy With Silver Cadmium Oxide Inlay

Movable - Copper Alloy/Silver Plated

Dielectric Strength

1000 Volts RMS Minimum

Mounting Means

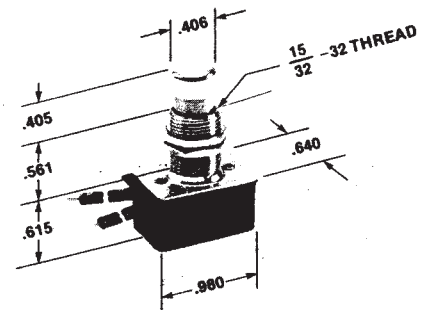
15/32" Diameter Threaded Bushing

Keyway .078-.083 Wide X .037-.043 Deep

Standard Hardware Supplied —

One Hex Nut Assembled And

One Hex Nut Unassembled



X-ON Electronics

Largest Supplier of Electrical and Electronic Components

Click to view similar products for [Toggle Switches](#) category:

Click to view products by [Electroswitch](#) manufacturer:

Other Similar products are found below :

[8928K478](#) [020017-13](#) [60012L](#) [6006L](#) [CS115W](#) [CS120W](#) [637H/25](#) [6663](#) [7101SPDV30BE](#) [7103SDV30BE](#) [7105D](#) [7108P3YAV2BE](#)
[71YY50282](#) [7300K36](#) [7301K38](#) [7306K36](#) [7310K36](#) [7506K4](#) [7592K6](#) [7660K12](#) [7691K14](#) [7700K1](#) [8396K108](#) [8824K14](#) [8828K13](#) [8835K3](#)
[8858K44](#) [PS83-121G](#) [1-1825192-0](#) [A201SCWZB04](#) [A207SYCB04](#) [A208J61ZQ0004](#) [A221T1TCQ](#) [A232M1YCQ](#) [A323S1CWZQ](#)
[A423S1CWZG-M8](#) [1201W](#) [12156AX408](#) [12147AGKX679](#) [12246X778](#) [12TW49-3D](#) [130312](#) [13037L](#) [13001X](#) [AE101MD1W4B04](#)
[AE208SD1W4B04](#) [MS24659-22D](#) [MS27407-5](#) [1520230-9](#) [1520231-1](#)