

C4 - SERIES

SPECIFICATIONS AND ORDERING INFORMATION

1.5" DIAMETER 0.5 AMP @ 28 VDC

The C4 Series provides a versatile, fully enclosed design, that helps keep dirt and moisture out of the contact area while locking in life time lubricants. IP67 Rating Available.



SPECIFICATIONS

ELECTRICAL

Current and Voltage Rating: Make and break resistive load 0.5 amp @ 28 VDC; 0.3 amp @ 125 VAC.
Current Carrying Capacity: 15 amps.
Dielectric Strength: 1,000 VAC between current carrying parts and ground.
Contact Resistance: Average initial 3 milliohms.
Insulation Resistance: In excess of 10,000 megohms.

Hardware: Mounting nut and lockwasher are shipped assembled.

MECHANICAL

Materials and Finishes: All parts utilize non-corrosive materials as standard.
Terminals and Contacts: Brass with silver plate as standard.
Insulation: Diallyl phthalate.
Index: Dual-ball, hill and valley.
Index Life: 25,000 cycles minimum.
Index Torque: Switches have lowest practical torque consistent with crisp detenting and smooth, reliable operation.
Index Angles: 30° standard, 36°, 45°, 60°, and 90° available.
Index Stops: Fixed standard, adjustable or continuous available.
Stop Strength: 15 in. lbs. minimum.

STANDARD PART NUMBER

SOLDER LUG - ADJUSTABLE STOPS

SWITCHES - 30° INDEXING - STOPS SET @ 2 POS.

POLES	ACTIVE POSITIONS	POLES/ DECK	NO. OF DECKS	SHORTING	NON-SHORTING	FIG. *
01	02-12	1	1	C4D0112S - A	C4D0112N - A	CA
02	02-06	2	1	C4D0206S - A	C4D0206N - A	CH
02	02-12	1	2	C4D0212S - A	C4D0212N - A	CA
03	02-12	1	3	C4D0312S - A	C4D0312N - A	CA
03	02-04	3	1	C4D0304S - A	C4D0304N - A	CK
04	02-12	1	4	C4D0412S - A	C4D0412N - A	CA
04	02-06	2	2	C4D0406S - A	C4D0406N - A	CH
05	02-12	1	5	C4D0512S - A	C4D0512N - A	CA

POLES	ACTIVE POSITIONS	POLES/ DECK	NO. OF DECKS	SHORTING	NON-SHORTING	FIG. *
06	02-06	2	3	C4D0606S - A	C4D0606N - A	CH
06	02-04	3	2	C4D0604S - A	C4D0604N - A	CK
06	02-12	1	6	C4D0612S - A	C4D0612N - A	CA
08	02-06	2	4	C4D0806S - A	C4D0806N - A	CH
09	02-04	3	3	C4D0904S - A	C4D0904N - A	CK
10	02-06	2	5	C4D1006S - A	C4D1006N - A	CH
12	02-04	3	4	C4D1204S - A	C4D1204N - A	CK
15	02-04	3	5	C4D1504S - A	C4D1504N - A	CK

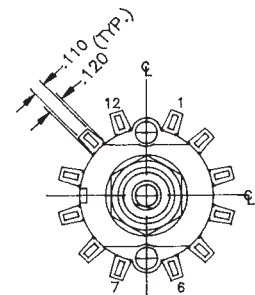
* FIGURES ARE SHOWN ON PAGE 55.

DIMENSIONS

C4D STANDARD CONSTRUCTION



NOTE:
 1. ONE DECK EQUALS TWO WAFERS.
 2. ADD .284" FOR EACH ADDITIONAL DECK.



.110 QUICK CONNECT
 TERMINAL OPTION
 (.016 MAT'L. THK.)

How to Order Additional Options:

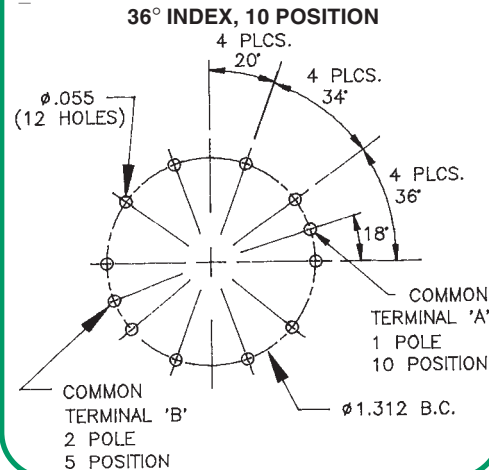
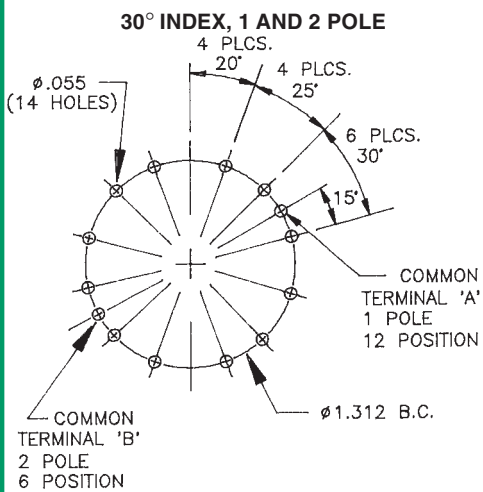
2 DIGIT SERIES	INSULATION TYPE	TOTAL POLES	ACTIVE POSITIONS	CONTACT TYPE	TERMINAL TYPE	INDEX ANGLE	STOP TYPE	SHAFT/ BUSHING	SHAFT FLAT
C4	D - DIALLYL	01 - MIN.	12 - MAX @ 30° 10 - MAX @ 36° 08 - MAX @ 45° 06 - MAX @ 60° 04 - MAX @ 90°	S - SHORTING N - NON SHORTING	L - SOLDER LUG P - FRONT P.C. (NOT IN 45°) R - REAR P.C. (30° & 36° ONLY) Q - QUICK CONNECT	30° 36° 45° 60° ONLY 90°	F - FIXED A - A (30°, 60°, 90° ONLY) C - CONT.	D SEE CHART "A"	J SEE CHART "B"

CUSTOMERS SPECIFIED ORDER NUMBER FOR STANDARD OPTIONS

C	4	D	<input type="text"/>	<input type="text"/>	<input type="checkbox"/>	<input type="checkbox"/>	<input type="checkbox"/>	<input type="checkbox"/>	<input type="checkbox"/>	<input type="checkbox"/>
			(SPECIFY)	(SPECIFY)	(SPECIFY)	(SPECIFY)	(SPECIFY)	(SPECIFY)	(SPECIFY)	(SPECIFY)

ADDITIONAL OPTIONS

PRINTED CIRCUIT BOARD HOLE PATTERNS



SHAFT, BUSHING, AND FLAT OPTIONS

CHART "A"

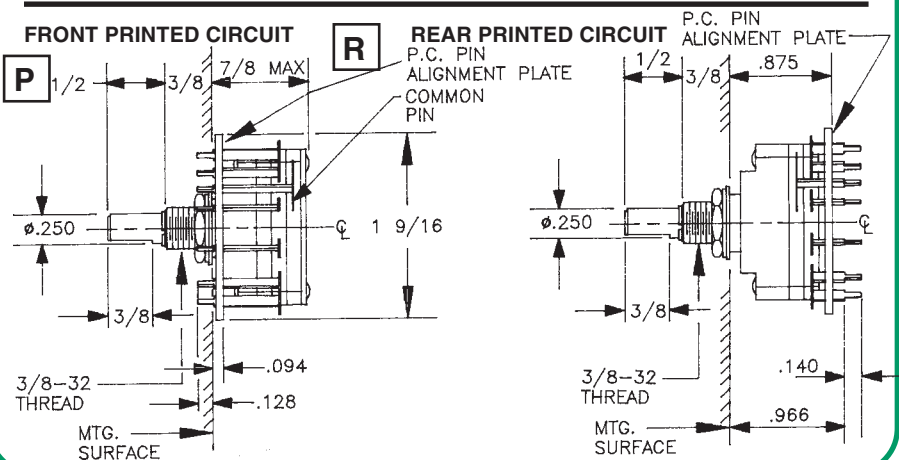
P/N OPT.	SHAFT LGTH. "A"	BUSH. LGTH. "B"
01	3/8	1/4
02	3/8	3/8
03	1/2	1/4
04	1/2	3/8
05	9/16	1/4
06	9/16	3/8
07	5/8	1/4
08	5/8	3/8
09	3/4	1/4
10	3/4	3/8
11	7/8	1/4
12	7/8	3/8
13	1	1/4
14	1	3/8

CHART "B"

P/N OPT.	FLAT ANGLE
U	15°
W	165°
Y	195°
Z	345°

SHAFT AS VIEWED WITH NON-TURN LUG AT 9 O'CLOCK AND SHAFT IN EXTREME CCW POSITION AND STRUT BOLTS ORIENTED VERTICALLY.

PRINTED CIRCUIT BOARD TERMINAL OPTIONS



CUSTOM SWITCHES ARE AVAILABLE. CONTACT THE FACTORY WITH YOUR COMPLETE SPECIFICATIONS.

X-ON Electronics

Largest Supplier of Electrical and Electronic Components

Click to view similar products for [Rotary Switches](#) category:

Click to view products by [Electroswitch](#) manufacturer:

Other Similar products are found below :

[57HS22-02-2-06N](#) [57M22-02B16N](#) [57M22-09A16N](#) [58J1007](#) [58J8A45-01B05N](#) [59M18-02A20N](#) [M3786/39-3BA](#) [M3786/39-LMC](#)
[M3786/4-0007](#) [M3786/4-0073](#) [M3786/4-0182](#) [M3786/4-0640](#) [M3786/4-0873](#) [M3786/4-0881](#) [M3786/4-3187](#) [M3786/4-3267](#) [M3786/4-5272](#)
[M3786/4-5568](#) [M3786/4-5876](#) [M3786/4-6029](#) [71ESF30-05204N](#) [MC06L1NCGF](#) [FA201BKGN](#) [84986-26](#) [9003K2C003GA](#) [PLR3251](#)
[PLR3262](#) [PLR3279](#) [PS3](#) [A019305](#) [A019306](#) [A019501](#) [A029301](#) [A165W-T2AR](#) [R2AA2133NNNN](#) [R2AA4455NNNN](#) [R2BB4455NNNN](#)
[ACSNO-6123-FB-C6002](#) [RMS1224](#) [DR75-AMSF-10R-B](#) [14-520.0360](#) [BCK1006](#) [1703.3201](#) [HW1MS-0202-101](#) [C6P0206N-A](#) [24002-03S](#)
[A019109](#) [A029101](#) [A165W-T3MR](#) [A22NS-3BM-NRA-G120-NN](#)