

# C4 - SERIES

## SPECIFICATIONS AND ORDERING INFORMATION

38.1 mm DIAMETER 0.5 AMP @ 28 VDC

The C4 Series provides a versatile, fully enclosed design, that helps keep dirt and moisture out of the contact area while locking in life time lubricants.



### SPECIFICATIONS

#### ELECTRICAL

**Current and Voltage Rating:** Make and break resistive load 0.5 amp @ 28 VDC; 0.3 amp @ 125 VAC.  
**Current Carrying Capacity:** 15 amps.  
**Dielectric Strength:** 1,000 VAC between current carrying parts and ground.  
**Contact Resistance:** Average initial 3 milliohms.  
**Insulation Resistance:** In excess of 10,000 megohms.

**Hardware:** Mounting nut and lockwasher are shipped assembled.

#### MECHANICAL

**Materials and Finishes:** All parts utilize non-corrosive materials as standard.  
**Terminals and Contacts:** Brass with silver plate as standard.  
**Insulation:** Diallyl phthalate.  
**Index:** Dual-ball, hill and valley.  
**Index Life:** 25,000 cycles minimum.  
**Index Torque:** Switches have lowest practical torque consistent with crisp detenting and smooth, reliable operation.  
**Index Angles:** 30° standard, 36°, 45°, 60°, and 90° available.  
**Index Stops:** Fixed standard, adjustable or continuous available.  
**Stop Strength:** 2.82 Nm minimum.

### STANDARD PART NUMBER

#### SOLDER LUG - ADJUSTABLE STOPS

SWITCHES - 30° INDEXING - STOPS SET @ 2 POS.

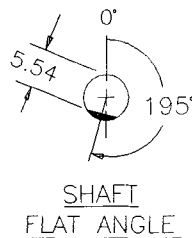
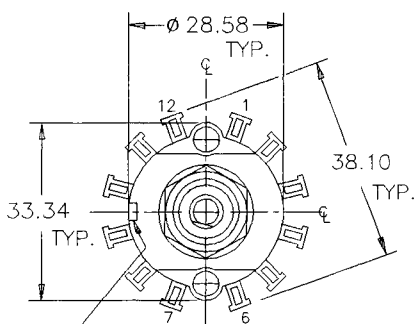
FIG. *	NON-SHORTING	SHORTING	NO. OF DECKS	POLES/ DECK	ACTIVE POSITIONS
01	C4D0112S - A	C4D0112N - A	1	1	02-12
02	C4D0206S - A	C4D0206N - A	1	2	02-06
02	C4D0212S - A	C4D0212N - A	2	1	02-12
03	C4D0312S - A	C4D0312N - A	3	1	02-12
03	C4D0304S - A	C4D0304N - A	1	3	02-04
04	C4D0412S - A	C4D0412N - A	4	1	02-12
04	C4D0406S - A	C4D0406N - A	2	2	02-06
05	C4D0512S - A	C4D0512N - A	5	1	02-12

FIG. *	NON-SHORTING	SHORTING	NO. OF DECKS	POLES/ DECK	ACTIVE POSITIONS
06	C4D0606S - A	C4D0606N - A	2	3	02-06
06	C4D0604S - A	C4D0604N - A	3	2	02-04
06	C4D0612S - A	C4D0612N - A	1	6	02-12
08	C4D0806S - A	C4D0806N - A	2	4	02-06
09	C4D0904S - A	C4D0904N - A	3	3	02-04
10	C4D1006S - A	C4D1006N - A	2	5	02-06
12	C4D1204S - A	C4D1204N - A	3	4	02-04
15	C4D1504S - A	C4D1504N - A	3	5	02-04

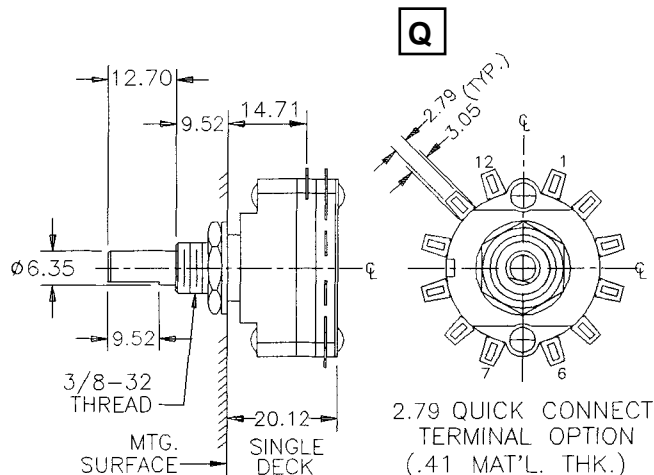
\* FIGURES ARE SHOWN ON PAGE 55.

### DIMENSIONS

#### C4D STANDARD CONSTRUCTION



- NOTE:
- ONE DECK EQUALS TWO WAFERS.
  - ADD 7.21 FOR EACH ADDITIONAL DECK.

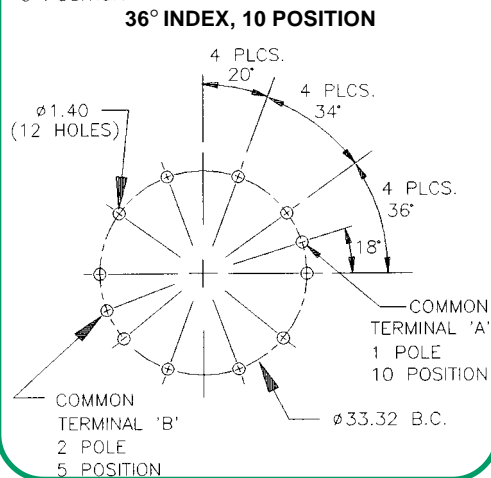
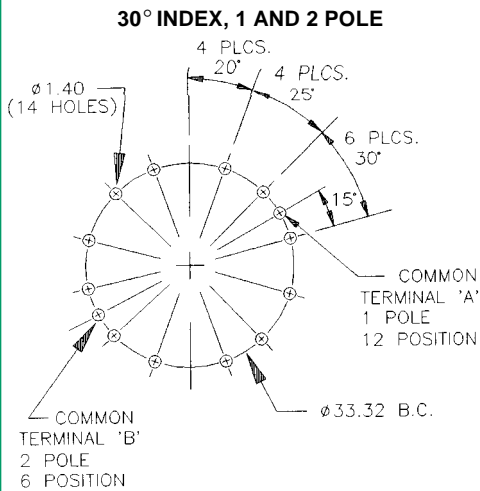


## How to Order Additional Options:

2 DIGIT SERIES	INSULATION TYPE	TOTAL POLES	ACTIVE POSITIONS	CONTACT TYPE	TERMINAL TYPE	INDEX ANGLE	STOP TYPE	SHAFT/ BUSHING	SHAFT FLAT
C4	D - DIALLYL	01 - MIN.	12 - MAX @ 30° 10 - MAX @ 36° 08 - MAX @ 45° 06 - MAX @ 60° 04 - MAX @ 90°	S - SHORTING N - NON SHORTING	L - SOLDER LUG P - FRONT P.C. R - REAR P.C. (30° & 36° ONLY) Q - QUICK CONNECT	30° 36° 45° 60° 90°	F - FIXED A - ADJ. (30°, 60°, 90° ONLY) C - CONT.	SEE CHART "A"	SEE CHART "B"

CUSTOMERS SPECIFIED ORDER NUMBER FOR STANDARD OPTIONS				ADDITIONAL OPTIONS			
<b>C</b>	<b>4</b>	<b>D</b>	<input type="text"/>	<input type="text"/>	<input type="text"/>	<input type="text"/>	<input type="text"/>
			(SPECIFY)	(SPECIFY)	(SPECIFY)	(SPECIFY)	(SPECIFY)

### PRINTED CIRCUIT BOARD HOLE PATTERNS



### SHAFT, BUSHING, AND FLAT OPTIONS

**CHART "A"**

P/N OPT.	SHAFT LGTH. "A"	BUSH LGTH. "B"
01	9.53	6.35
02	9.53	9.53
03	12.7	6.35
04	12.7	9.53
05	14.29	6.35
06	14.29	9.53
07	15.88	6.35
08	15.88	9.53
09	19.05	6.35
10	19.05	9.53
11	22.22	6.35
12	22.22	9.53
13	25.4	6.35
14	25.4	9.53

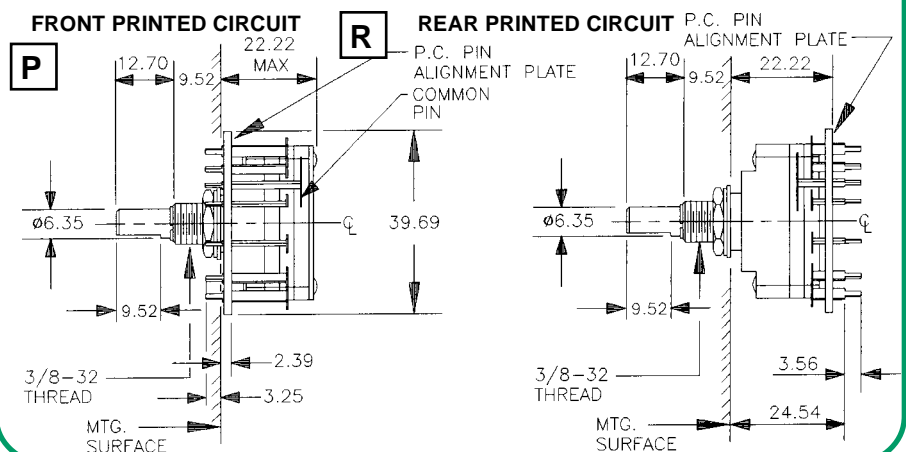
**CHART "B"**

P/N OPT.	FLAT ANGLE
U	15°
W	165°
Y	195°
Z	345°

- STD.

SHAFT AS VIEWED WITH NON-TURN LUG AT 9 O'CLOCK AND SHAFT IN EXTREME CCW POSITION AND STRUT BOLTS ORIENTED VERTICALLY.

### PRINTED CIRCUIT BOARD TERMINAL OPTIONS



CUSTOM SWITCHES ARE AVAILABLE. CONTACT THE FACTORY WITH YOUR COMPLETE SPECIFICATIONS.

## X-ON Electronics

Largest Supplier of Electrical and Electronic Components

*Click to view similar products for [Rotary Switches](#) category:*

*Click to view products by [Electroswitch](#) manufacturer:*

Other Similar products are found below :

[57HS22-02-2-06N](#) [57M22-02B16N](#) [57M22-09A16N](#) [M3786/4-0881](#) [M3786/4-3267](#) [M3786/4-5568](#) [M3786/4-6029](#) [71ESF30-05204N](#)  
[MC06L1NCGF](#) [84986-26](#) [9003K2C003GA](#) [PLR3251](#) [PLR3262](#) [PS3](#) [A0142M2SP](#) [A029303](#) [R2AA4455NNNN](#) [R2BB4455NNNN](#) [DR75-](#)  
[AMSF-10R-B](#) [1703.3201](#) [HW1MS-0202-101](#) [24002-03S](#) [A029101](#) [ACSNO-129-YB-C1014](#) [ACSNO-134-RR-YB-C1005](#) [ACSNO-353-SB-](#)  
[C3016](#) [1825537-4](#) [T505](#) [T505E](#) [24005-03N](#) [H10207RR01Q](#) [M3786/39-4ZC](#) [M3786/4-0002](#) [M3786/4-0630](#) [M3786/4-1028L](#) [M3786/4-](#)  
[1233L](#) [M3786/4-3044](#) [M3786/4-3129](#) [M3786/4-5008L](#) [M3786/4-5256](#) [MC6CX1A502X009](#) [42HS36-01-1-06N](#) [42P36-03B10S](#) [44MBS60-](#)  
[04-2-03N](#) [44MG90-02-1-02N](#) [50KMT90-01-2-02N](#) [51A22-01-1-16S](#) [51CDP30-01PAJN](#) [51KSP30-01D04N](#) [51P30-01B12N](#)