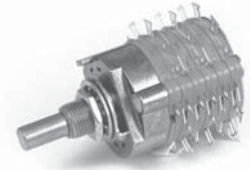


# C4 - SERIES

## SPECIFICATIONS AND ORDERING INFORMATION

1.5" DIAMETER 0.5 AMP @ 28 VDC

The C4 Series provides a versatile, fully enclosed design, that helps keep dirt and moisture out of the contact area while locking in life time lubricants. IP67 Rating Available.



### SPECIFICATIONS

#### ELECTRICAL

**Current and Voltage Rating:** Make and break resistive load 0.5 amp @ 28 VDC; 0.3 amp @ 125 VAC.  
**Current Carrying Capacity:** 15 amps.  
**Dielectric Strength:** 1,000 VAC between current carrying parts and ground.  
**Contact Resistance:** Average initial 3 milliohms.  
**Insulation Resistance:** In excess of 10,000 megohms.

**Hardware:** Mounting nut and lockwasher are shipped assembled.

#### MECHANICAL

**Materials and Finishes:** All parts utilize non-corrosive materials as standard.  
**Terminals and Contacts:** Brass with silver plate as standard.  
**Insulation:** Diallyl phthalate.  
**Index:** Dual-ball, hill and valley.  
**Index Life:** 25,000 cycles minimum.  
**Index Torque:** Switches have lowest practical torque consistent with crisp detenting and smooth, reliable operation.  
**Index Angles:** 30° standard, 36°, 45°, 60°, and 90° available.  
**Index Stops:** Fixed standard, adjustable or continuous available.  
**Stop Strength:** 15 in. lbs. minimum.

### STANDARD PART NUMBER

#### SOLDER LUG - ADJUSTABLE STOPS

SWITCHES - 30° INDEXING - STOPS SET @ 2 POS.

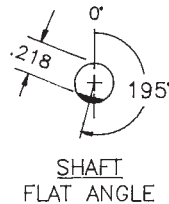
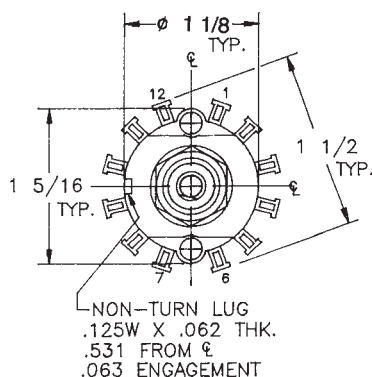
| POLES | ACTIVE POSITIONS | POLES/ DECK | NO. OF DECKS | SHORTING     | NON-SHORTING | FIG. * |
|-------|------------------|-------------|--------------|--------------|--------------|--------|
| 01    | 02-12            | 1           | 1            | C4D0112S - A | C4D0112N - A | CA     |
| 02    | 02-06            | 2           | 1            | C4D0206S - A | C4D0206N - A | CH     |
| 02    | 02-12            | 1           | 2            | C4D0212S - A | C4D0212N - A | CA     |
| 03    | 02-12            | 1           | 3            | C4D0312S - A | C4D0312N - A | CA     |
| 03    | 02-04            | 3           | 1            | C4D0304S - A | C4D0304N - A | CK     |
| 04    | 02-12            | 1           | 4            | C4D0412S - A | C4D0412N - A | CA     |
| 04    | 02-06            | 2           | 2            | C4D0406S - A | C4D0406N - A | CH     |
| 05    | 02-12            | 1           | 5            | C4D0512S - A | C4D0512N - A | CA     |

| POLES | ACTIVE POSITIONS | POLES/ DECK | NO. OF DECKS | SHORTING     | NON-SHORTING | FIG. * |
|-------|------------------|-------------|--------------|--------------|--------------|--------|
| 06    | 02-06            | 2           | 3            | C4D0606S - A | C4D0606N - A | CH     |
| 06    | 02-04            | 3           | 2            | C4D0604S - A | C4D0604N - A | CK     |
| 06    | 02-12            | 1           | 6            | C4D0612S - A | C4D0612N - A | CA     |
| 08    | 02-06            | 2           | 4            | C4D0806S - A | C4D0806N - A | CH     |
| 09    | 02-04            | 3           | 3            | C4D0904S - A | C4D0904N - A | CK     |
| 10    | 02-06            | 2           | 5            | C4D1006S - A | C4D1006N - A | CH     |
| 12    | 02-04            | 3           | 4            | C4D1204S - A | C4D1204N - A | CK     |
| 15    | 02-04            | 3           | 5            | C4D1504S - A | C4D1504N - A | CK     |

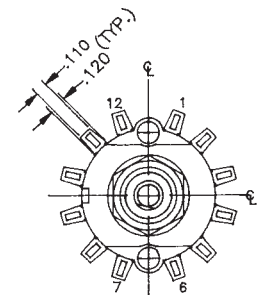
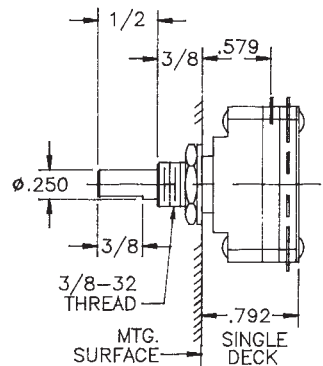
\* FIGURES ARE SHOWN ON PAGE 55.

### DIMENSIONS

#### C4D STANDARD CONSTRUCTION



NOTE:  
 1. ONE DECK EQUALS TWO WAFERS.  
 2. ADD .284" FOR EACH ADDITIONAL DECK.



.110 QUICK CONNECT TERMINAL OPTION (.016 MAT'L. THK.)

## How to Order Additional Options:

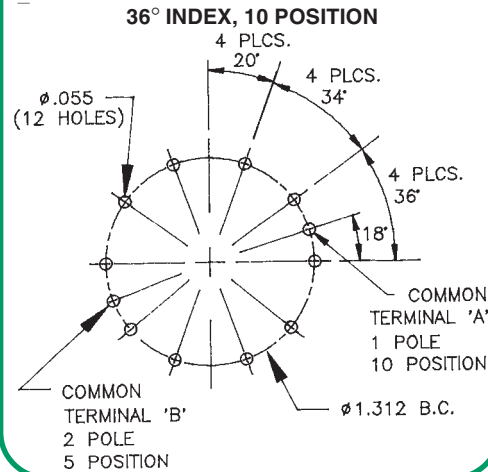
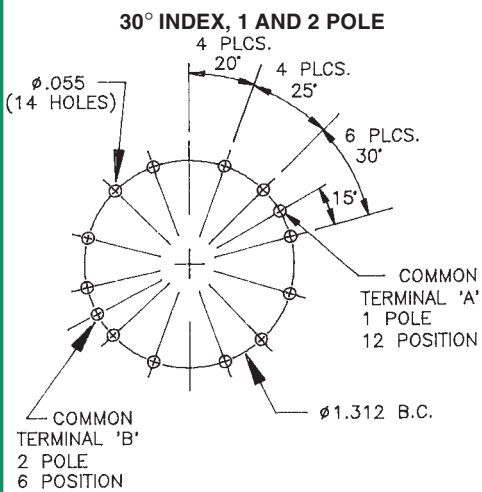
| 2 DIGIT SERIES | INSULATION TYPE | TOTAL POLES | ACTIVE POSITIONS   | CONTACT TYPE                     | TERMINAL TYPE  | INDEX ANGLE                          | STOP TYPE   | SHAFT/ BUSHING         | SHAFT FLAT             |
|----------------|-----------------|-------------|--|----------------------------------|--|--------------------------------------|---|------------------------|------------------------|
| C4             | D - DIALLYL     | 01 - MIN.   | 12 - MAX @ 30°<br>10 - MAX @ 36°<br>08 - MAX @ 45°<br>06 - MAX @ 60°<br>04 - MAX @ 90° | S - SHORTING<br>N - NON SHORTING | L - SOLDER LUG<br>P - FRONT P.C.<br>(NOT IN 45°)<br>R - REAR P.C.<br>(30° & 36° ONLY)<br>Q - QUICK CONNECT | 30°<br>36°<br>45°<br>60° ONLY<br>90° | F - FIXED<br>A - A<br>(30°, 60°, 90° ONLY)<br>C - CONT. | D<br><br>SEE CHART "A" | J<br><br>SEE CHART "B" |

CUSTOMERS SPECIFIED ORDER NUMBER FOR STANDARD OPTIONS

|          |          |          |                      |                      |                          |                          |                          |                          |                          |                          |
|----------|----------|----------|----------------------|----------------------|--------------------------|--------------------------|--------------------------|--------------------------|--------------------------|--------------------------|
| <b>C</b> | <b>4</b> | <b>D</b> | <input type="text"/> | <input type="text"/> | <input type="checkbox"/> | <input type="checkbox"/> | <input type="checkbox"/> | <input type="checkbox"/> | <input type="checkbox"/> | <input type="checkbox"/> |
|          |          |          | (SPECIFY)            | (SPECIFY)            | (SPECIFY)                | (SPECIFY)                | (SPECIFY)                | (SPECIFY)                | (SPECIFY)                | (SPECIFY)                |

ADDITIONAL OPTIONS

### PRINTED CIRCUIT BOARD HOLE PATTERNS



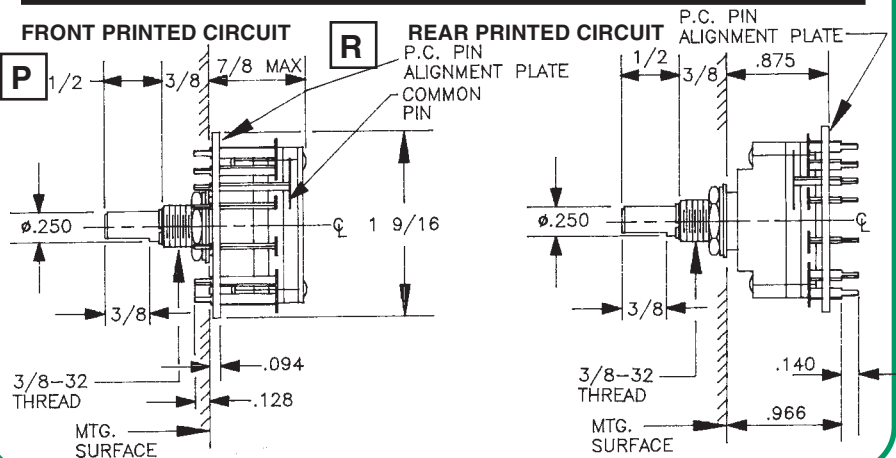
### SHAFT, BUSHING, AND FLAT OPTIONS

| P/N OPT. | SHAFT LGTH. "A" | BUSH. LGTH. "B" |
|----------|-----------------|-----------------|
| 01       | 3/8             | 1/4             |
| 02       | 3/8             | 3/8             |
| 03       | 1/2             | 1/4             |
| 04       | 1/2             | 3/8             |
| 05       | 9/16            | 1/4             |
| 06       | 9/16            | 3/8             |
| 07       | 5/8             | 1/4             |
| 08       | 5/8             | 3/8             |
| 09       | 3/4             | 1/4             |
| 10       | 3/4             | 3/8             |
| 11       | 7/8             | 1/4             |
| 12       | 7/8             | 3/8             |
| 13       | 1               | 1/4             |
| 14       | 1               | 3/8             |

| P/N OPT. | FLAT ANGLE |
|----------|------------|
| U        | 15°        |
| W        | 165°       |
| Y        | 195°       |
| Z        | 345°       |

SHAFT AS VIEWED WITH NON-TURN LUG AT 9 O'CLOCK AND SHAFT IN EXTREME CCW POSITION AND STRUT BOLTS ORIENTED VERTICALLY.

### PRINTED CIRCUIT BOARD TERMINAL OPTIONS



CUSTOM SWITCHES ARE AVAILABLE. CONTACT THE FACTORY WITH YOUR COMPLETE SPECIFICATIONS.

## X-ON Electronics

Largest Supplier of Electrical and Electronic Components

*Click to view similar products for [Other Tools](#) category:*

*Click to view products by [Electroswitch](#) manufacturer:*

Other Similar products are found below :

[CR-05FL7--150R](#) [CR-05FL7--698K](#) [899-2-KT46](#) [899-5-KT46](#) [CR-0AFL4--332K](#) [CR-12FP4--260R](#) [CRCW04021100FRT7](#)  
[CRCW04021961FRT7](#) [5800-0090](#) [CRCW04024021FRT7](#) [CRCW040254R9FRT7](#) [CRCW0603102JRT5](#) [59065-5](#) [00-8273-RDPP](#) [00-8729-](#)  
[WHPP](#) [593033](#) [593058](#) [593072](#) [593564100](#) [593575](#) [593591](#) [593593](#) [011349-000](#) [LTLA506SBLAMNBL](#) [CRCW08052740FRT1](#) [LUC-](#)  
[012S070DSM](#) [LUC-018S070DSP](#) [599-2021-3-NME](#) [599-JJ-2021-03](#) [00-5080-YWPP](#) [5E4750/01-20R0-T/R](#) [LW1A-L1-GL](#) [LW1A-P1-GD](#)  
[LW1L-A1C10V-GL](#) [LW1L-M1C70-A](#) [0202-0173](#) [00-9089-RDPP](#) [00-9300-RDPP](#) [CRCW2010331JR02](#) [01-1003W-8/32-10](#) [601-GP-08-](#)  
[KT39](#) [601-JJ-06](#) [601-SPB](#) [601YSY](#) [602-JJ-03](#) [602SPB](#) [602Z](#) [603-JJ-07-FP](#) [603-JJY-04](#) [604J](#)